

**25 YEAR  
WARRANTY**

# **BALLASTED SOLAR MOUNTS**

## **- SIMPLE & EFFICIENT**

PATENTED UTILITY SCALE BALLASTED RACKING WITH REDUCED COMPONENTS AND MINIMAL INSTALLATION TIME. OVER A DECADE OF PROVEN RELIABILITY AND A 25 YEAR WARRANTY TO SERVE THE LIFETIME OF YOUR SOLAR ARRAY.



## **THE FEATURES OF OUR BALLASTED MOUNTS**

FEATURING FEWEST COMPONENTS AND HARDWARE CONNECTIONS IN THE MARKET WITH HIGH FLEXIBILITY FOR ROUGH & VARIABLE TERRAIN. THE PANEL ATTACHMENTS FEATURE UL 2703 & 467 GROUNDING TOP-CLAMPS AND CAN SUSTAIN HIGH WIND AND SNOW LOADS

CALL FOR IMMEDIATE ESTIMATES & LAYOUT DESIGN ASSISTANCE FROM OUR PROFESSIONAL SALES TEAM.



**SOLAR MOUNTS LLC**



**1-844-757-7225**

[WWW.SOLARMOUNTS.COM](http://WWW.SOLARMOUNTS.COM)

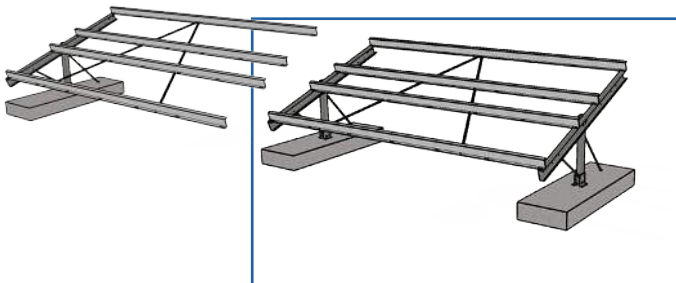
300 WOOLLEY DRIVE | MARSHALL | MI 49068

[INFO@SOLARMOUNTS.COM](mailto:INFO@SOLARMOUNTS.COM)

# TECHNICAL INFORMATION

Add Section

Start Section



## Features and benefits

- 3 Components & Minimal Hardware
- Pre-Punched tilt angles in truss
- UL 467 & 2703 grounding clamps
- Slide in purlins for ease of installation
- Minimal lead times on manufacturing
- PE Stamped drawing provided
- Accomodates difficult terrain

## Technical characteristics

Application	Open Field Layout
Foundation	Concrete ballast of Existing structural Concrete
Modules	Portrait - 1 or 2 high
Orientation	
Module Compatibility	All brands - 60, 72, 96 & 144Cell
Tilt Angles	20° 25° 30° & 35° Standard Custom Tilts - With low lead time
Ground Clearance	2' Standard, 36" - 48" available
Grade of Terrain	EW - 15°, Tolerance for Rolling & Undulating Ground due to patent
Wind Load	Up to 150 MPH
Snow Load	Up to 60 PSF
Post Spacing	204"
Material Composition	Galvanized Steel G-90 Post, Truss & Purlins
Warranty	25 years
Manufacturing	Made in USA



7.8 MW - Edison Landfill  
New Jersey



3.2 MW - Hudson Landfill  
Massachusetts



2 MW - Maynard Landfill  
Massachusetts



1.2 MW - Marysville  
Michigan



3.4 MW - Southbridge  
Massachusetts



3.1 MW - Bridgewater  
New Jersey



1-844-757-7225

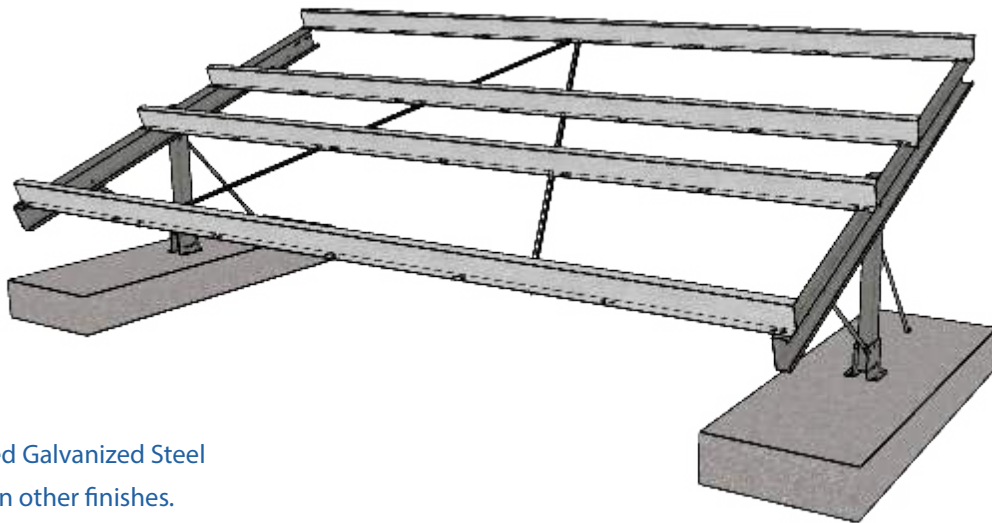
WWW.SOLARMOUNTS.COM

300 WOOLLEY | MARSHALL | MI 49068

INFO@SOLARMOUNTS.COM

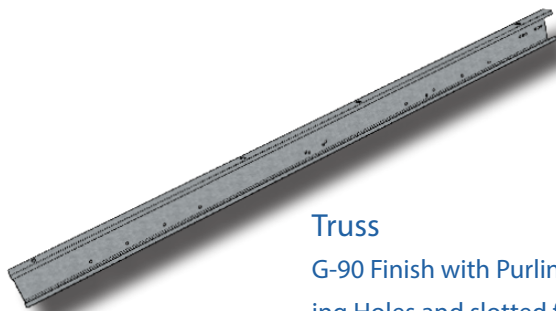
25 YEAR  
WARRANTY

# COMPONENTS



## Post

Hot-Dipped Galvanized Steel  
Available in other finishes.



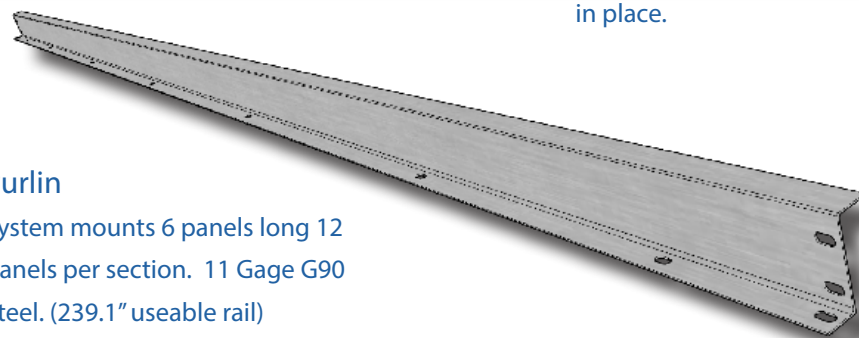
## Truss

G-90 Finish with Purlin Mounting Holes and slotted for +/-1" of tolerance.



## Strutt

Post to Truss strut connection braces truss in place.



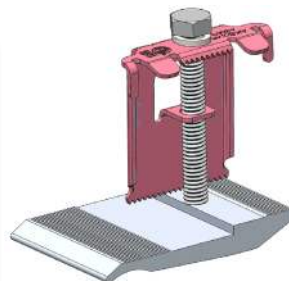
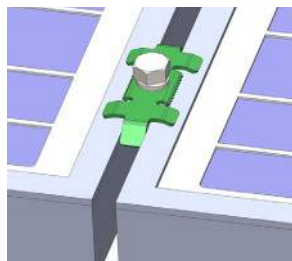
## Purlin

System mounts 6 panels long 12 panels per section. 11 Gage G90 Steel. (239.1" useable rail)



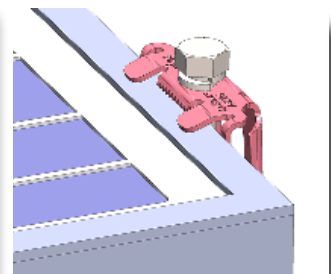
## Mid Clamp

Panel to Panel Grounding Mid-Clamp  
Recognized to UL 2703 and ETL listed to UL standard 467.



## End Clamp

Panel to Purlin Grounding End-Clamp  
Recognized to UL 2703 and ETL listed to UL standard 467.



1-844-757-7225

WWW.SOLARMOUNTS.COM  
300 WOOLLEY DRIVE | MARSHALL | MI 49068  
INFO@SOLARMOUNTS.COM