

25 YEAR
WARRANTY

SOLAR CARPORT CANOPIES - EASY & EFFICIENT INSTALLATION

UTILITY SCALE SOLAR CARPORTS WITH REDUCED COMPONENTS AND MINIMAL INSTALLATION TIME. OVER 75.0 MW OF SOLAR CARPORTS DEPLOYED & A 25 YEAR WARRANTY ENSURE THE LIFETIME OF YOUR ARRAY.



THE FEATURES OF OUR SOLAR CARPORTS

BOLTED FOUNDATION FOR EASY INSTALLATION. UL 2703 & 467 GROUNDING WASHERS WITH BOLT THROUGH PANEL ATTACHMENT. UNIVERSAL PANEL ADAPTATION, MOUNTING BRACKETS WORK WITH ANY MODULE IN THE INDUSTRY. HIGH WIND AND SNOWLOADS DESIGNS AVAILABLE

CALL FOR IMMEDIATE ESTIMATES & LAYOUT DESIGN ASSISTANCE FROM OUR PROFESSIONAL SALES TEAM.

100% USA

MADE & MANUFACTURED



SOLAR MOUNTS LLC



1-844-757-7225

WWW.SOLARMOUNTS.COM

300 WOOLLEY DRIVE | MARSHALL | MI 49068

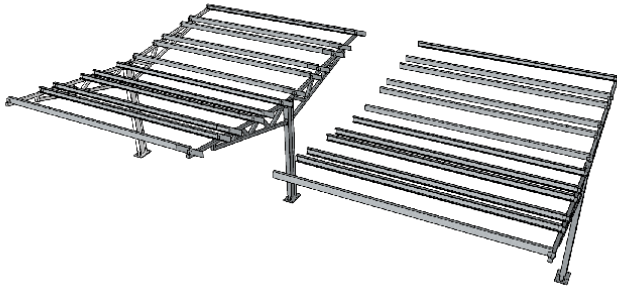
INFO@SOLARMOUNTS.COM

**25 YEAR
WARRANTY**

TECHNICAL INFORMATION

START SECTION

ADD SECTION



FEATURES AND BENEFITS

- 4 COMPONENTS & MINIMAL HARDWARE
- PRE WELDED TILT ANGLE IN TRUSS
- UL 467 & 2703 GROUNDING WASHER CONNECTION
- ADJUSTABLE PANEL BRACKETS FOR ANY MODULE
- MINIMAL LEAD TIMES ON MANUFACTURING
- PE STAMPED DRAWING PROVIDED
- ACCOMODATES DIFFICULT TERRAIN

TECHNICAL CHARACTERISTICS

APPLICATION	PARKING LOT, WALKWAY, ENTRANCE
FOUNDATION	CONCRETE PIER OR SPREAD FOOTER
MODULES ORIENTATION	PORTRAIT - 3 TO 8 HIGH, 8 ACCROSS (64 PANELS/ SECTION MAX)
MODULE COMPATIBILITY	ALL BRANDS - 60, 72, 96 & 144 CELL
TILT ANGLES	7° STANDARD 3° & 5° OPTIONS
GROUND CLEARANCE	14' STANDARD
GRADE OF TERRAIN	EW 30° NS 30°
WIND LOAD	UP TO 170 MPH
SNOW LOAD	UP TO 80 PSF
PURLIN LENGTH	27" - 36" SPANS
MATERIAL COMPOSITION	GALVANIZED STEEL G-90 POST, TRUSS & PURLINS
OPTIONS	GUTTERS & DOWNSPOUTS, SNOW GUARDS, PAINT, LED LIGHTNG & MORE
MANUFACTURING	MADE IN USA. STEEL CERTIFICATIONS.



1.7 MW - MICKLETON
NEW JERSEY



1.1 MW - HORSHAM
PENNSYLVANIA



1 MW - WASHINGTON
DISTRICT OF COLUMBIA



1.2 MW - EAST WINDSOR
CONNECTICUT



560 kW - SOMERDALE
NEW JERSEY



600 kW - VINELAND
NEW JERSEY



1-844-757-7225

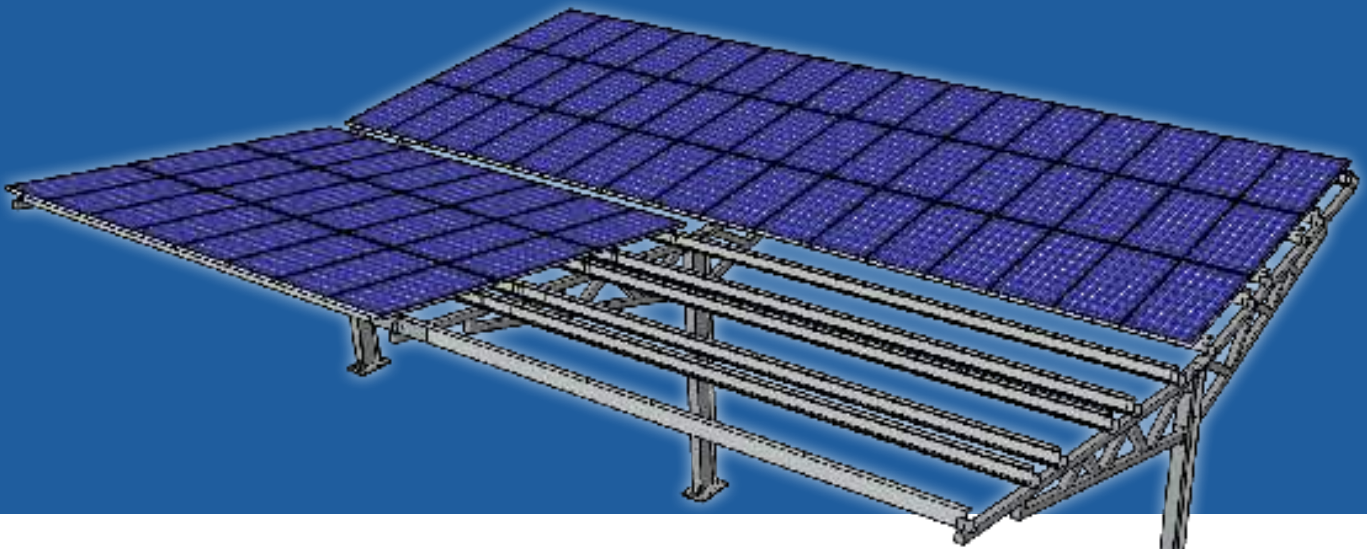
WWW.SOLARMOUNTS.COM

300 WOOLLEY DRIVE | MARSHALL | MI 49068

INFO@SOLARMOUNTS.COM

25 YEAR
WARRANTY

TECHNICAL DRAWINGS



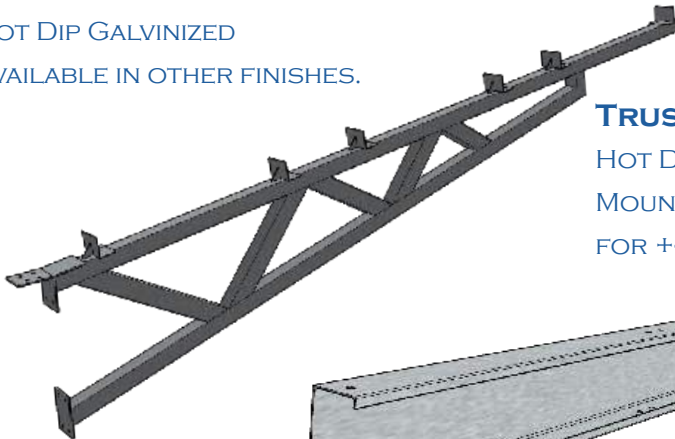
Post

HOT DIP GALVANIZED
AVAILABLE IN OTHER FINISHES.



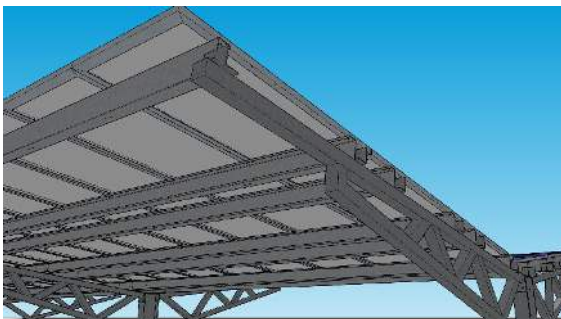
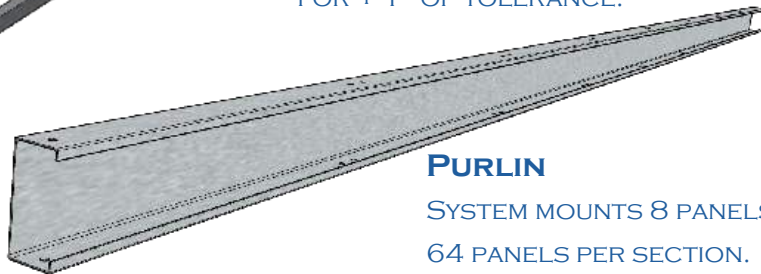
TRUSS

HOT DIP FINISH WITH PURLIN
MOUNTING HOLES AND SLOTTED
FOR +1" OF TOLERANCE.



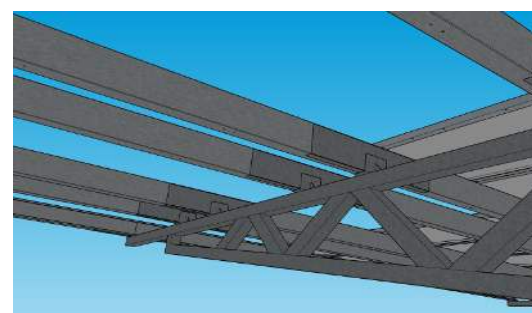
PURLIN

SYSTEM MOUNTS 8 PANELS WIDE
64 PANELS PER SECTION. 12
GAUGE G90-G140 STEEL.



BOLTED PANEL CONNECTION

PANEL BRACKETS ALLOW PURLINS
TO BOLT TO ANY SIZE MODULE,
INDUSTRY WIDE.



L-PLATE PURLIN CONNECTION

40" L-PLATE PURLIN CONNECTION OVER
THE TRUSS ENSURES LIFE LONG PURLIN
CONNECTION.



1-844-757-7225

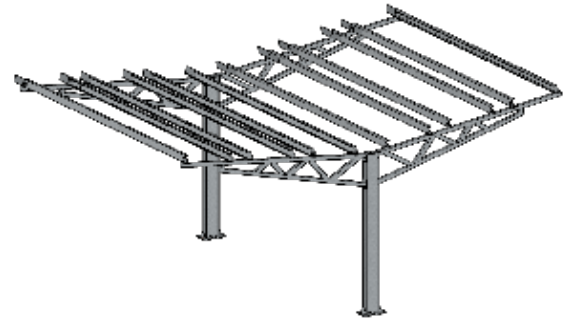
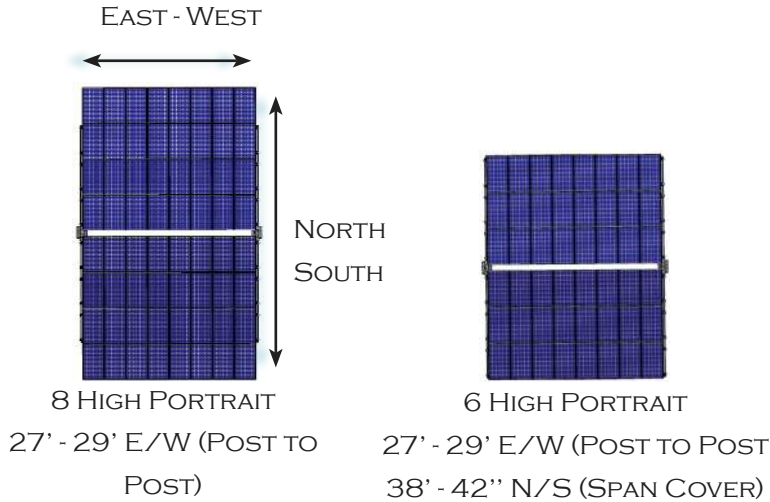
WWW.SOLARMOUNTS.COM

300 WOOLLEY DRIVE | MARSHALL | MI 49068

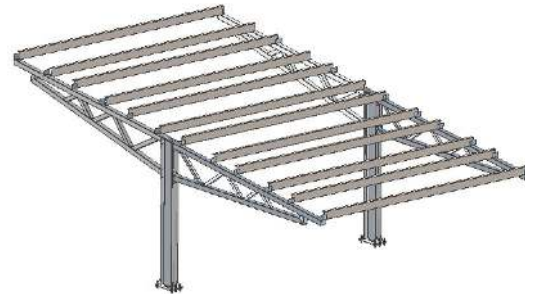
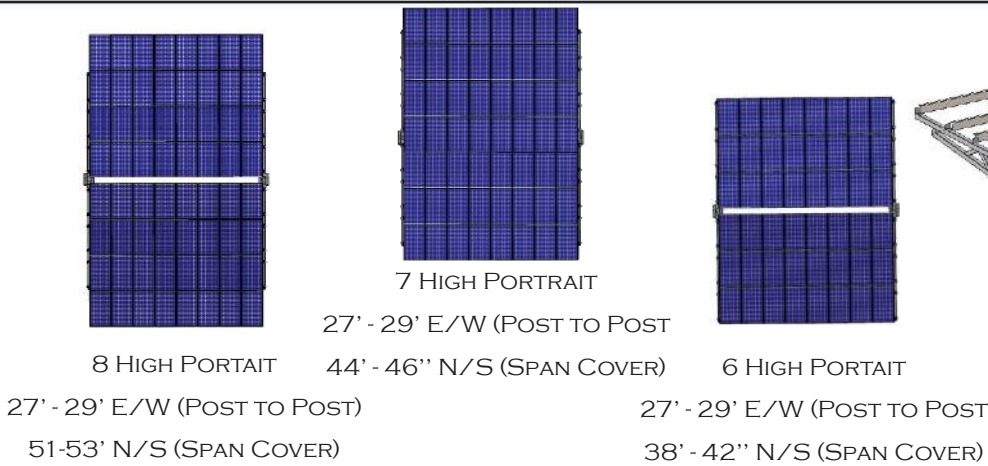
INFO@SOLARMOUNTS.COM

LAYOUT CONFIGURATION

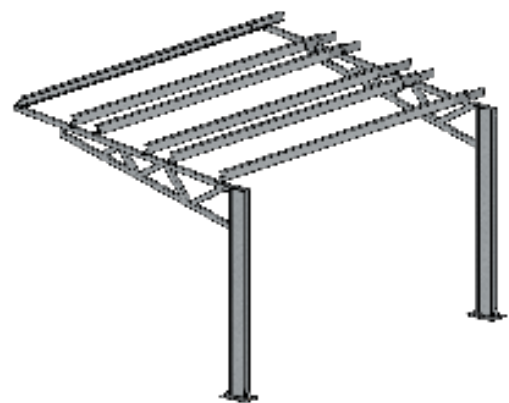
25 YEAR WARRANTY



Y FRAME



T FRAME



L FRAME



1-844-757-7225

WWW.SOLARMOUNTS.COM

300 WOOLLEY DRIVE | MARSHALL | MI 49068

INFO@SOLARMOUNTS.COM