



Blue Ion LX

Grid Optional™ Energy Solution

At Blue Planet Energy, we have harnessed the power of energy storage to bring new possibilities for clean power on demand and allow for the option of grid independence. Our premium Grid Optional™ battery energy storage system (BESS), the Blue Ion LX, seamlessly integrates energy storage, advanced system intelligence, and site controls to provide the ability to operate entirely off-grid. This solution is highly flexible and can also work in conjunction with the grid and other sources to optimize energy usage, providing the widest range of energy options.

The Blue Ion LX is proudly built in the USA, using highly refined battery chemistry and ruggedized exterior materials that ensure reliable, safe performance even in critical applications such as healthcare or emergency services. Additionally, this solution is designed to mitigate the high-costs associated with business continuity or utility rate structures. The Blue Ion LX is engineered to provide safe, reliable, and high-performing energy storage both inside and out, backed by a 15-year performance warranty. **Experience the future of energy storage and unlock new possibilities with Blue Planet Energy's Blue Ion LX.**



Grid Optional™
Functions with or without
the Utility Grid



Fully Scalable
up to 2MWh+¹



Operating
Temperature Range:



100% Usable
Capacity



21 Year Life
Expectancy



¹ Blue Ion LX sizing limitations are contingent upon the selection of external system equipment. Please consult with our technical support team for detailed information.

BILX-AB_2.0-12122023

Blue Planet Energy
55 Merchant St., 17th Floor
Honolulu, HI 96813

1.866.957.2246
sales@blueplanetenergy.com
blueplanetenergy.com

Blue Ion LX

Grid Optional™ Energy Solution

System Technical Specifications

SYSTEM SIZE	125kW/128kWh
EXPANDABLE	125kW and 32kWh increments
DIMENSIONS PER 32kWh ENCLOSURE (H x W x D)	76 in x 24 in x 32 in (193.04 cm x 60.96 cm x 81.28 cm)
DIMENSIONS TOTAL 125kW/128kWh (H x W x D)	76 in x 119.6 in x 32 in (193.04 cm x 121.92 cm x 81.28 cm)
MOUNTING	Adjustable Feet, Seismic Wall Mount and Floor Mount
ALTITUDE LIMITATIONS	16,404 ft (5,000 m) at Full Power
OPERATING VOLTAGE	736-896 VDC
NOMINAL VOLTAGE	819 VDC

Battery Specifications

STORAGE TEMPERATURE RANGE	-4°F to 113°F (-20°C to 45°C)
DISCHARGE TEMPERATURE RANGE	-4°F to 122°F (-20°C to 50°C)
CHARGE TEMPERATURE RANGE	32°F to 113°F (0°C to 45°C)
OPERATING AMBIENT HUMIDITY	10% RH to 90% RH
ENCLOSURE TYPE	Indoor (NEMA 1)
PERFORMANCE WARRANTY	15 Years or 8,000 Cycles to 70%* Remaining Capacity (100% DoD)
COOLING NOISE dB	65dB
C-RATE	1C*
CHEMISTRY	Lithium Ferrous Phosphate
WEIGHT	1,435 lb (651 kg) for 32kW increment

* Refer to warranty documentation

Controller Specifications

DATA ACCESS	Cloud, Local Area Network
CERTIFIED TO	UL 9540, UL 9540A, UL 1642, UL 1973, UN 38.3, IEEE 1547
EMISSIONS	FCC Part 15 Class B, ICES-003 Class B

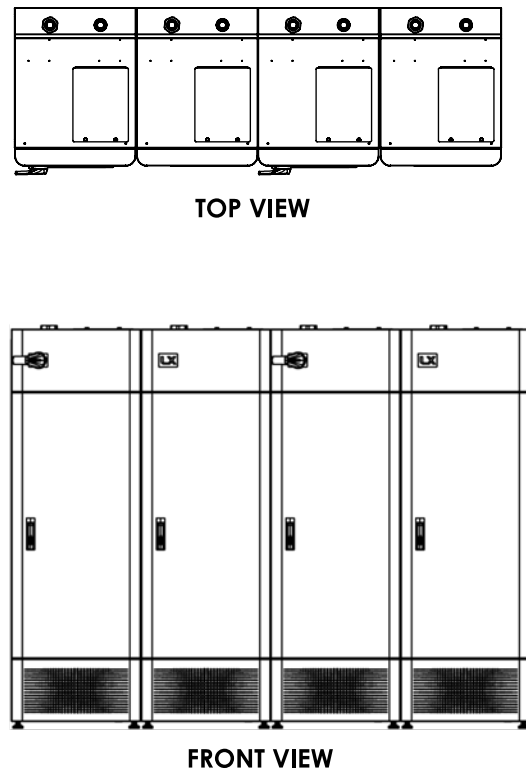
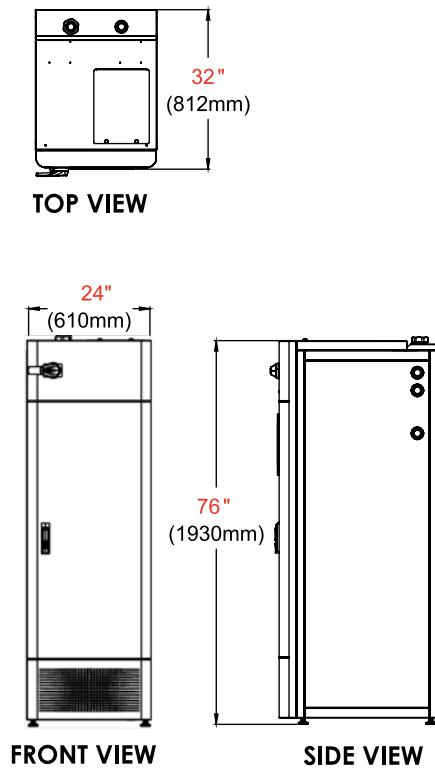
Compliance Information

Applications

OFF-GRID	Generation source agnostic, generator interface, load control, islanding capable, resiliency
GRID INTERCONNECTED	Microgrid with full grid interactivity and full off-grid capability, zero export, self consumption, tariff optimization, demand management, load shifting



All dimensions = inch (mm)



128 kWh System



BILX-AB_2.0-12122023

Blue Planet Energy
55 Merchant St., 17th Floor
Honolulu, HI 96813

1.866.957.2246
sales@blueplanetenergy.com
blueplanetenergy.com