



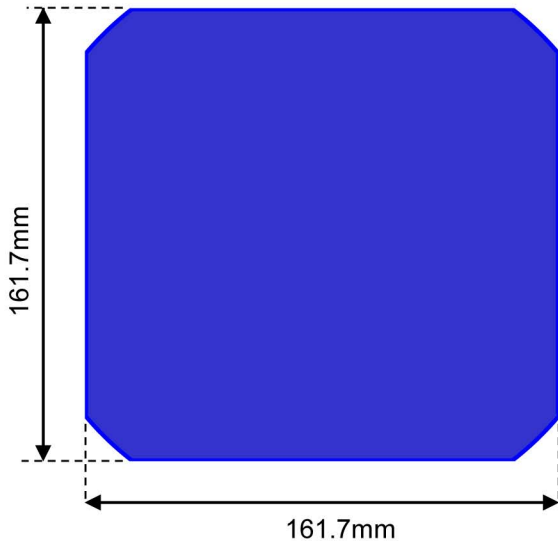
**TECHNICAL SPECIFICATIONS FOR
N-type
MONO-CRYSTALLINE SILICON
SOLAR CELL
(Model: WB-NM)**

SPECIFICATIONS FOR MONO-CRYSTALLINE SILICON CELL

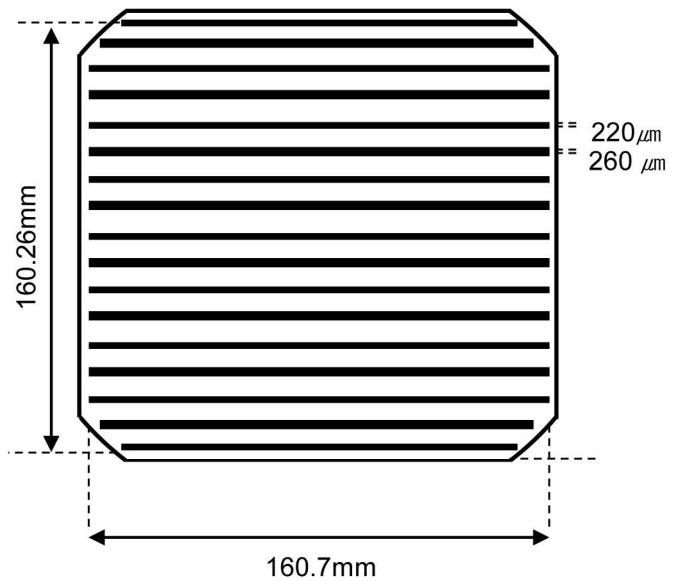
1. MECHANICAL DATE AND DESIGN

Product	N-type Mono-crystalline silicon solar cell
Dimension	161.7 mm X 161.7 mm \pm 1.0 mm (Pseudo square)
Thickness	180 μm \pm 30 μm
Front	Dark-blue anti-reflecting coatings
Back	260um finger 161ea, 220um finger 160ea

< Front >



< Back >



2. TEMPERATURE COEFFICIENTS

Voltage (Voc)	- 0.261 [%/K]
Current (Isc)	+ 0.042 [%/K]
Fill factor (FF)	- 0.006 [%/K]
Power (Pmpp)	- 0.190 [%/K]
Efficiency (η)	- 0.202 [%/K]



SPECIFICATIONS FOR MONO-CRYSTALLINE SILICON CELL

3. LIGHT INTENSITY DEPENDENCE

	Impp (%)	Vmpp (%)
1000 W/m²	100	100
800 W/m²	80	99
600 W/m²	60	98.2
400 W/m²	40	97.2
200 W/m²	20	94.2

* The above data are average value

4. ELECTRICAL PERFORMANCE

Model	Eff(%)	Pmpp(W)	Vmpp(V)	Impp(A)	Voc(V)	Isc(A)	FF(%)
WB-NM	21.00% ~ 22.30%	5.64	0.58	9.73	0.71	10.50	75.78

* Measured under Standard Test Condition (STC): AM 1.5, 25 °C, 1000 W/m²

* The above data are average value