

PORTABLE POWER STATION

MODEL:AP1002

1.3
HOUR

FAST CHARGE

1200W/1120Wh



FEATURES & BENEFITS



Fast Charging
≤1.3H



Multiple ports
for multiple devices



Emergency
Light



Pure Sine Wave
1200W (2400W Surge)



Multiple security
protections



Solar panel
charging

CAPACITY

896Wh / **1120Wh** / 1P7S

OUTPUT POWER

1200W (Surge 2400W)



AP1002 supports DC, AC, USB and Type-C connectivity for a wide range of devices, so you never lose power while working, resting or playing. Whether you are exploring the great outdoors, hosting a party or experiencing the unexpected power outage; AP1002 will constantly provide you with clean and reliable power, doing its part to help you reduce carbon emissions to the environment.

EXPANDABLE CAPACITY

AP1002(1120Wh) + Extra Battery B100(1120Wh) = 2240Wh
Expandable up to 2 extra battery



EXTRA BATTERY IS SOLD SEPARATELY

Free switching of multiple ports to meet charging requirements of multiple devices



APPLICABLE SCENE



iPad
(30Wh)

37 times



Laptop
(65Wh)

17 times



Drone
(65W)

17 Hours



Camera
(16Wh)

69 times



Projector
(30-60W)

17-35 Hours



Coffee Maker
(550W)

1.8 Hours



Electric tool
(100-150W)

7-11 Hours



Fan
(18W)

62 Hours



Printer
(25W)

44 Hours



Power amplifier
(20W)

55 Hours



Mini fridge
(60W)

18 Hours



Electric blanket
(200W)

5 Hours



Instant Pot
(1000W)

1 Hours



CPAP
(40W)

26 Hours

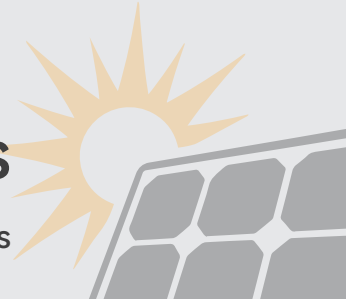
6 WAYS TO RECHARGE

AP1002 can be recharged in every way possible, either via AC, solar panels, car, generator, AC+Solar, or AC+Adapter, leaving you only peace of mind on the road.



COMBINING TO WAYS

AC+Solar Panel(1000W)≈1.3 Hours



WALL SOCKET & PLUG

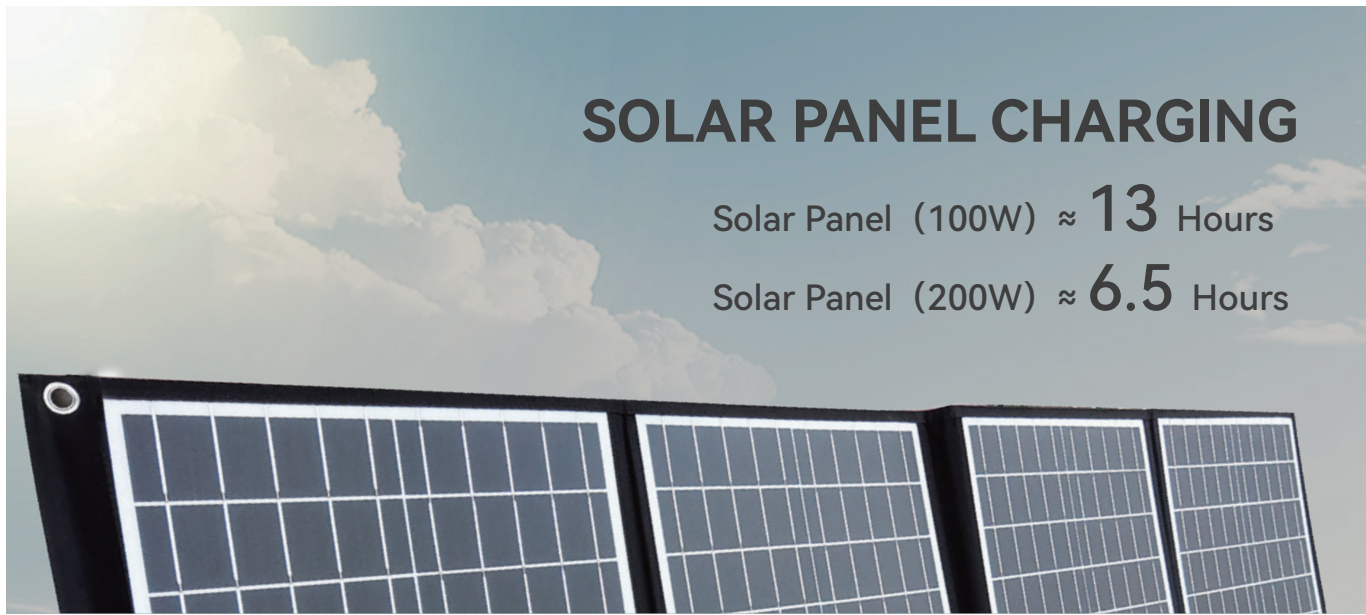
AC Charging Cable (800W) ≈ **1.5** Hours



SOLAR PANEL CHARGING

Solar Panel (100W) ≈ **13** Hours

Solar Panel (200W) ≈ **6.5** Hours



CAR CIGARETTE LIGHTER

12V (100W) ≈ **13** Hours

24V (200W) ≈ **6.5** Hours

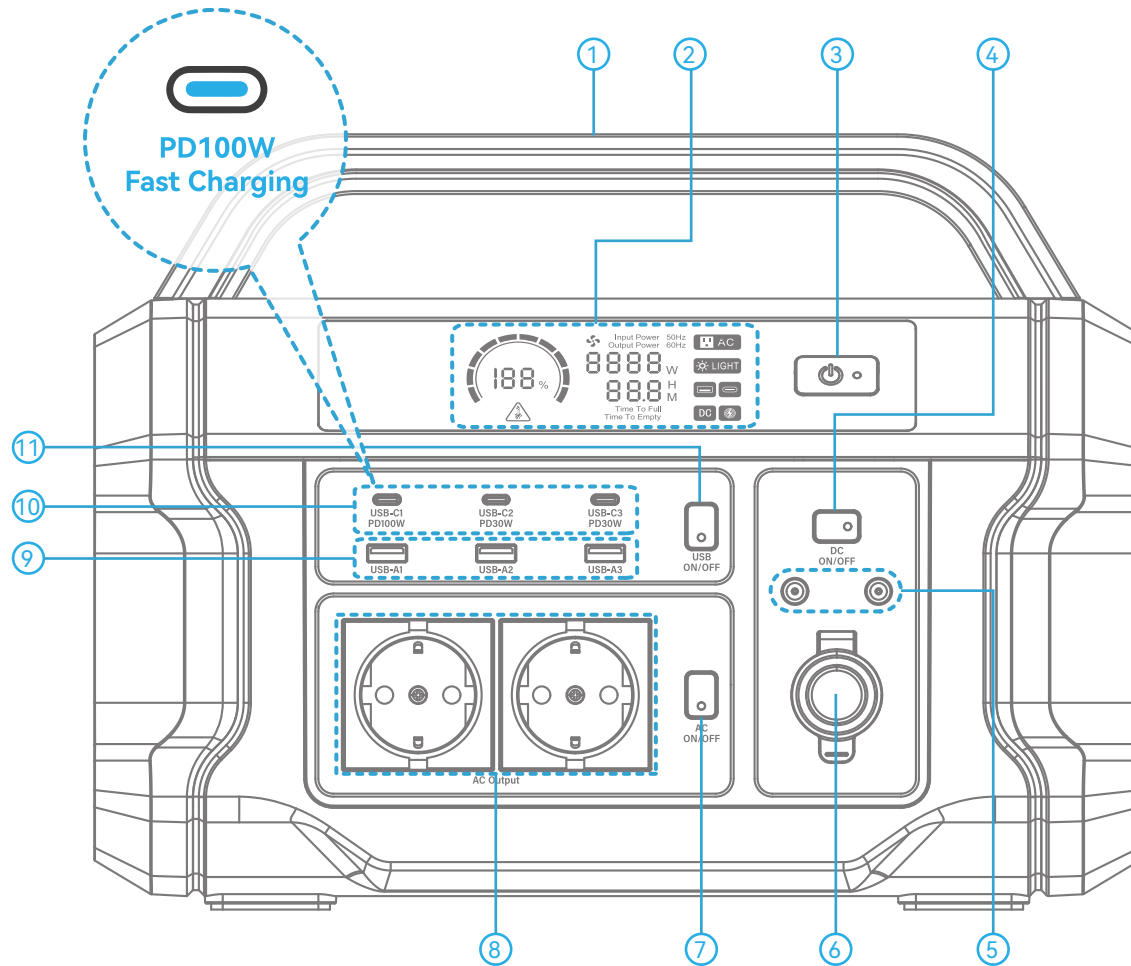


GENERATOR

AC Charging Cable (800W) ≈ **1.5** Hours



11 OUTLETS FOR EVERY NEED



1. Handle
2. LED Screen
3. Power ON/OFF
4. DC ON/OFF
5. DC Output ×2
6. Car Cigarette lighter
7. AC ON/OFF
8. AC Output ×2
9. USB-A Output ×3
10. USB-C Output ×3
11. USB ON/OFF

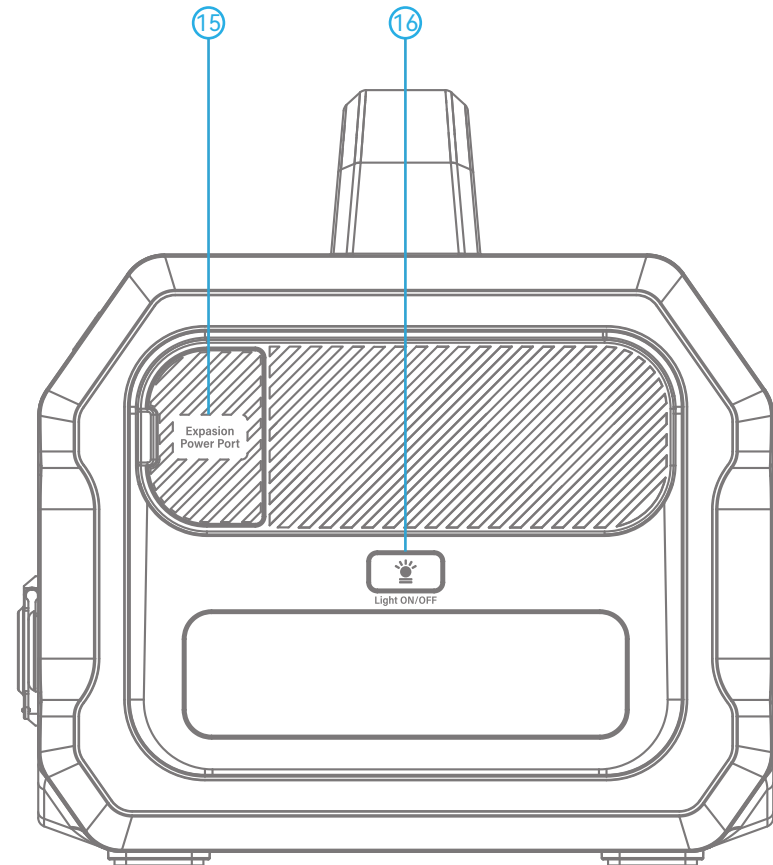
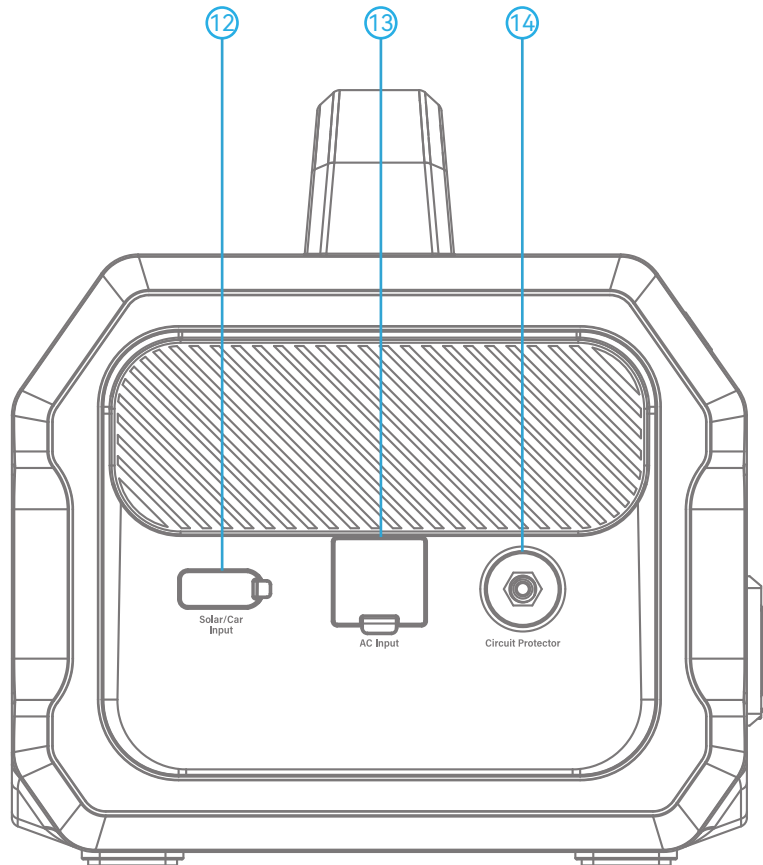
12. Solar/Car Input

13. AC Input

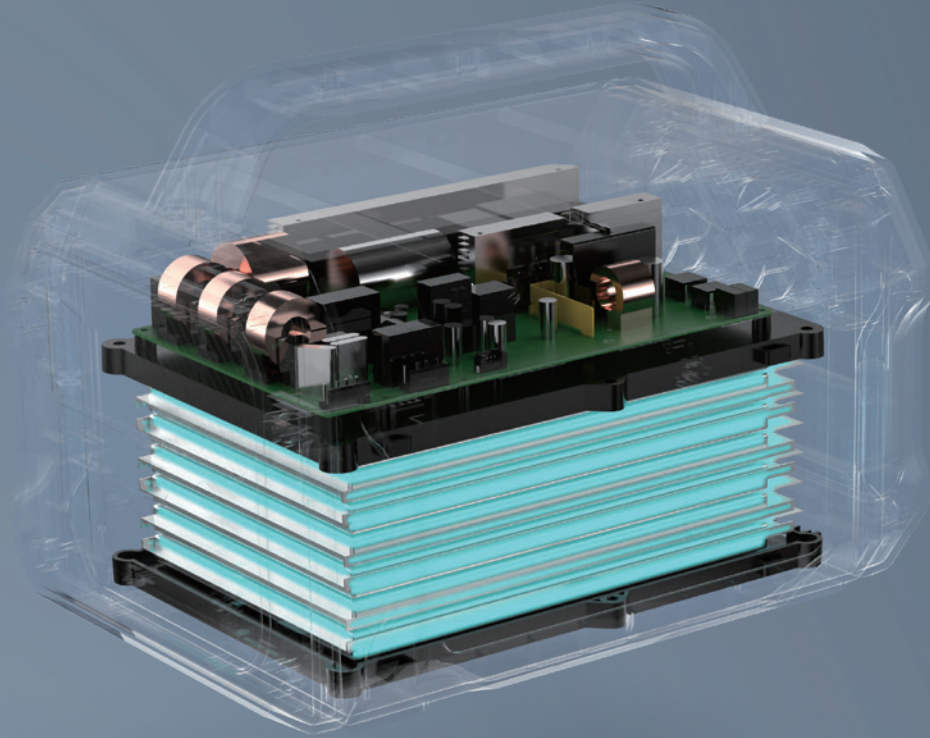
14. Circuit Protector

15. Expansion Power Port

16. Emergency Light



LITHIUM BATTERY SAFETY



Overload



Low Temperature



Low Voltage



Short Circuit



Over Temperature



Over Current

Experience increased safety brought by LiFePO₄ battery and BMS (Battery Management System). Compared to traditional Lithium-ion cells, the LiFePO₄ battery adopts possesses a natural advantage due to its remarkable thermal and chemical stability, giving you better performance and longer life cycle (2000 cycles to 80%). While BMS is at all times monitoring and protecting your device from every potential risk.

SPECIFICATIONS

BATTERY INFO

Capacity:	1120Wh / 1P7S
Type:	LiFePO4 (Lithium Iron Phosphate)
Life Cycles:	2000+ Cycles to 80% Original Capacity
Shelf-life:	Recharge to 80% Every 3-6 Months
Management System:	MPPT Controller, BMS, Over Voltage Protection, Short Circuit Protection, etc.

RECHARGE TIME

AC Charging Cable:	1.5~1.8 Hours
Solar (200W):	6.5~7 Hours (With prime sunshine, ideal orientation and low temperature)
AC + Solar (1000W):	1.3~1.6 Hours (With prime sunshine, ideal orientation and low temperature)

GENERAL

Pass-through Charging:	Yes
Weight:	48.5 lbs/22kg
Dimensions (LxWxD):	13.82×9.96×10.24 in / 351×253×260mm
Operating Temperature:	14-104°F (-10-40°C)
Storage Temperature:	14-113°F (-10-45°C)
Certifications:	UL Standard, CEC, DOE, FCC, CA Prop 65
Warranty:	24 Months

OUTPUT

AC Outlets:	2 x 230V/5.22A Outlets,1200W In Total
Inverter Type:	Pure Sine Wave
Surge Power:	2400W
USB-C1 Port:	1 × 100W Max.
USB-C2/C3 Port:	2 × 30W Max.
USB-A1 Port:	1 × 22.5W
USB-A2/A3 Port:	2 × 5V/2.4A
DC Outlets:	1 x 12V/10A (Car Outlet)

INPUT

AC Charging Cable:	800W Max
Solar Input:	300W Max, VOC 11-50V, 8.5A
Car Input:	12/24V from Cigarette Lighter Port
Maximum Input :	1000W, with AC and Solar Input Simultaneously