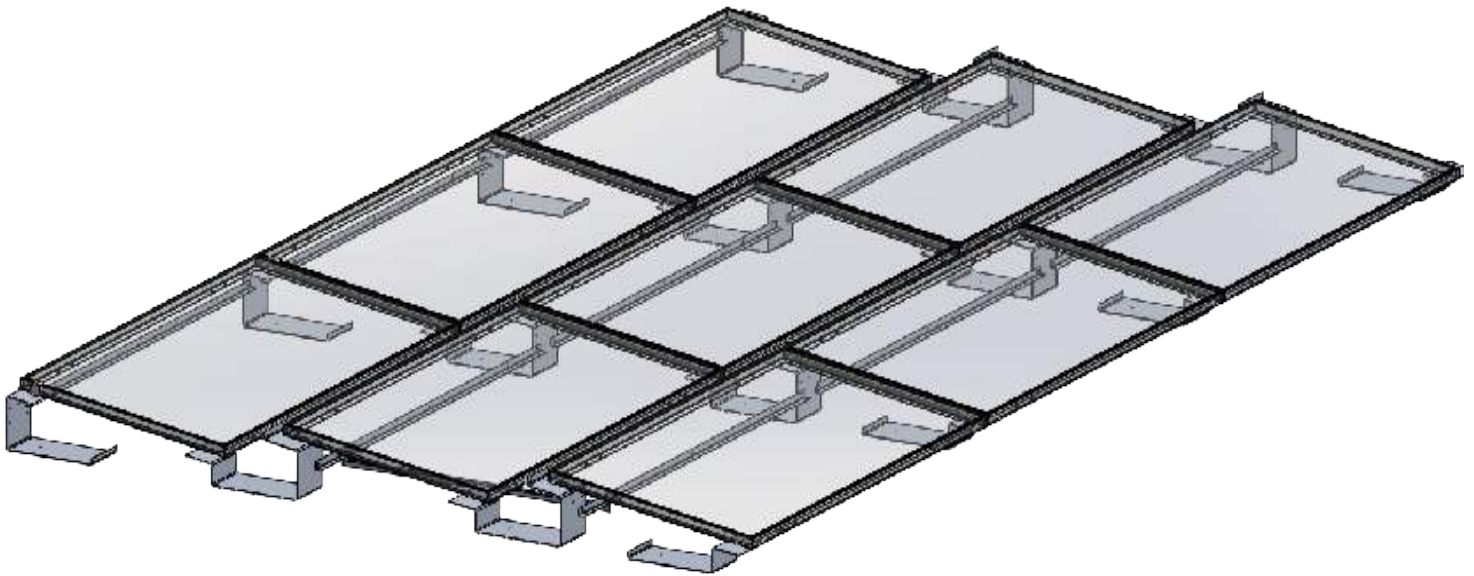


25 YEAR
WARRANTY

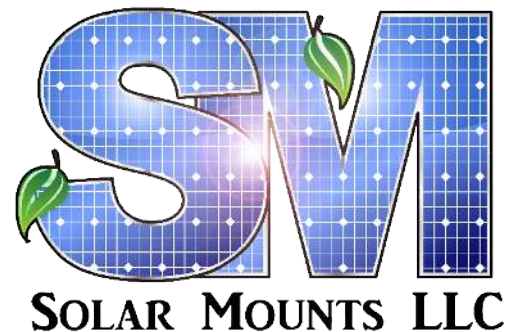
Ballasted Solar Mounts - Simple & Efficient

Utility scale ballasted racking with reduced components and minimal installation time. Over a decade of proven reliability and a 25 year warranty to serve the lifetime of your solar array.



The features of our BALLASTED

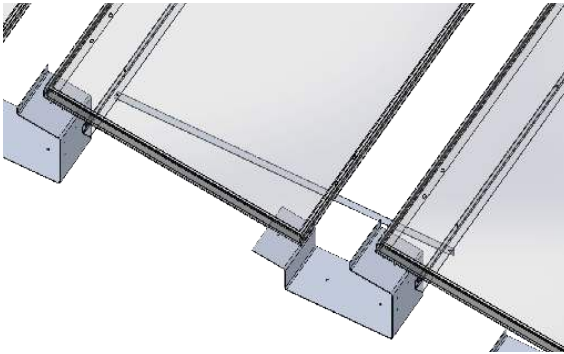
Simple design optimized for efficient shipping and skeleton layout to reduce installation time and allow for racking installation prior to modules delivered to site. This is accomplished by having both North South and East-West Wire ways. The panel attachments feature UL 2703 & 467 grounding top-clamps and can sustain up to 180 MPH windload & 60 PSF snow load



1-844-757-7225

www.SolarMounts.com
300 Woolley | Marshall | MI 49068
info@solargroundmounts.com

TECHNICAL INFORMATION



Features and benefits

- 3 Components & Minimal Hardware
- Standard Windeflector
- UL 467 & 2703 grounding clamps
- East West wire ways across entire array
- North South wire way home runs (Included at standard cost)
- PE Stamped drawing provided
- Felt slip sheets adhered to ballast pans in advance

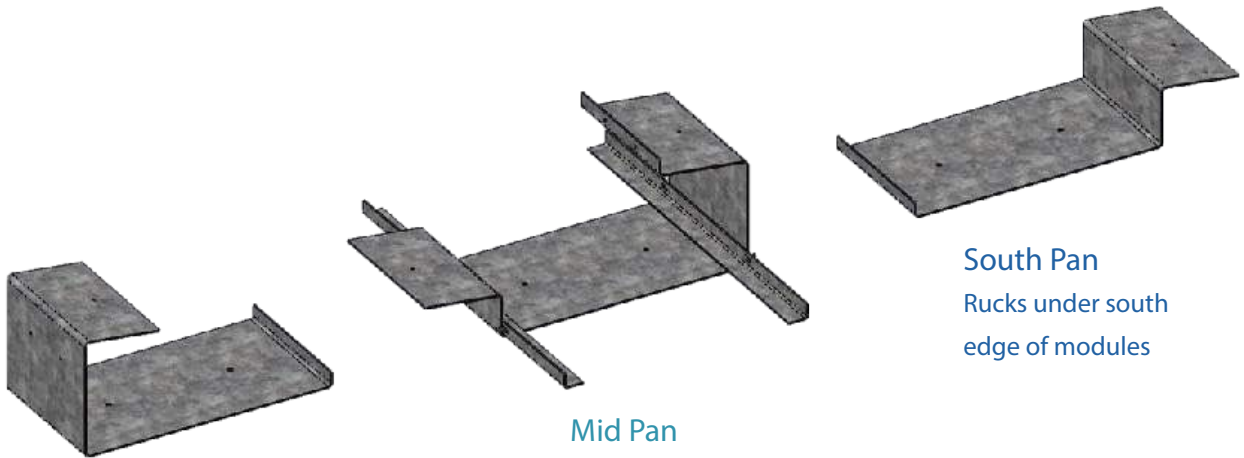
Technical characteristics

Application	Commercial flat roof or Groud Options
Foundation	Ballast tray with concrete blocks
Modules	Landscape
Orientation	
Module Compatibility	All Module brands and wattages
Tilt Angles	5° Standard
Ground Clearance	3.75" low side, 8.75" high side
Grade of Terrain	EW/NS - 5° tolerance
Wind Load	Up to 180 MPH
Snow Load	Up to 60 PSF
Base Spacing	base pan center to center = panel length + .4"
Material Composition	Galvanized Steel G-90 Base pans and wire ways.
Warranty	25 years
Manufacturing	Made in USA



25 YEAR
WARRANTY

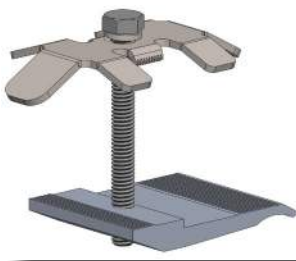
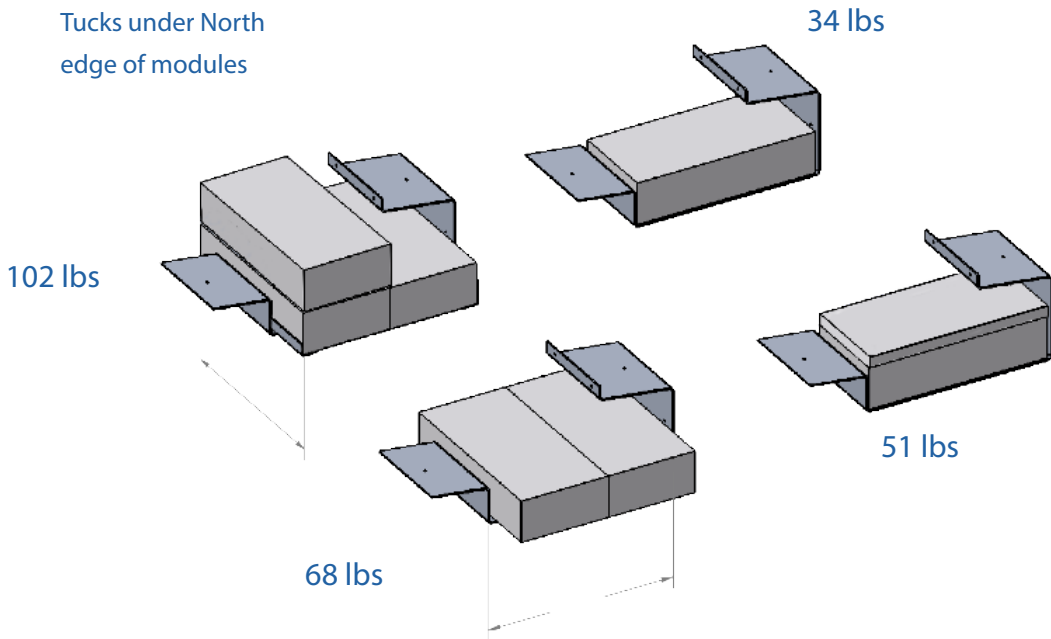
COMPONENTS



North Pan
Tucks under North
edge of modules

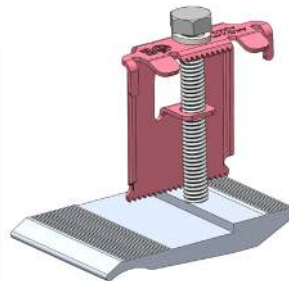
Mid Pan
Standard mid pan

South Pan
Rucks under south
edge of modules



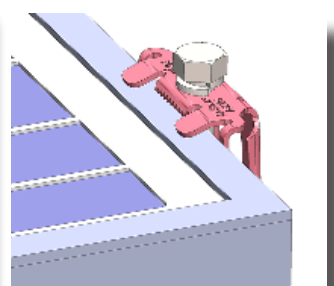
Mid Clamp

Panel to Panel Grounding Mid-Clamp
Recognized to UL 2703 and ETL listed
to UL standard 467.



End Clamp

Panel to Purlin Grounding End-Clamp
Recognized to UL 2703 and ETL listed
to UL standard 467.



1-844-757-7225

www.SolarMounts.com
300 Woolley | Marshall | MI 49068
info@solargroundmounts.com