

Power Convertive System (1000V)

Containerized energy Storage & Transformer Turnkey System BCS1000K~2500K-B/T



Product Features

Highly integrated

- Efficient layout to improve space utilization
- Secondary circuit integration, unified measurement, protection and communication
- Integrated design of “converter” and “step-up” to realize the integrated delivery of products

Lean intelligence

- Unified external communication interface, rapid deployment and debugging
- Integrated data acquisition and optical fiber network, intelligent operation management
- H/LVRT function, high adaptation ability to the grid

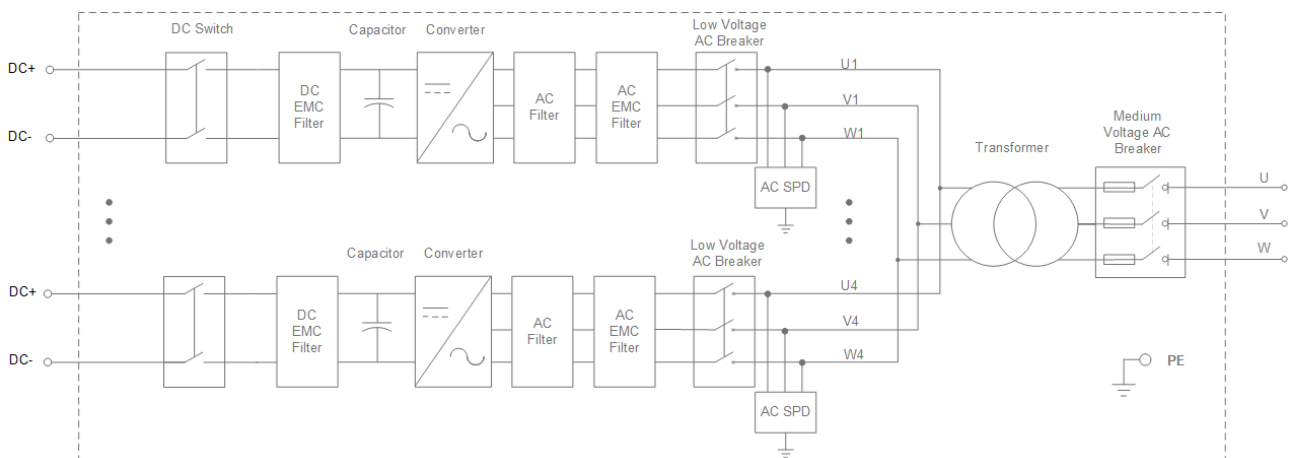
Efficient and stable

- Three-level topology, max. converter efficiency 99%
- Compatible with multi types of step-up transformer including 35kV system and below 35kV system
- 1.1 times long-term overload, 50°C full load operation

Flexible configuration

- Support multi-machine parallel connection, PQ, VF and other functions
- Wide DC voltage range for 1000V system
- Various applications such as peak shaving, frequency modulation, auxiliary grid connection for new energy system, etc.

Function Diagram



Technical Specification

Items	BCS1000K-B/T	BCS1260K-B/T	BCS2000K-B/T	BCS2500K-B/T
DC input				
Max. DC voltage	1000Vdc			
DC voltage range	600-900Vdc			
Max. DC current	1852A	2332A	3704A	4664A
Auto buffering function	Yes			
Grid-tied AC output				
Rated AC output power	1000kW	1260kW	2000kW	2500kW
Max. AC output power	1100kVA	1386kVA	2200kVA	2750kVA
Rated output voltage	400Vac			
Output voltage range	-15%~10% (settable)			
Grid frequency range	50Hz /60Hz (settable)			
Max. output current	1588A	2000A	3176A	4000A
Power factor	>0.99 (at rated power)			
Adjustable power factor	1 (leading)~1 (lagging)			
THDi	<3% (at rated power)			
Off-grid AC output				
Rated AC output voltage	400Vac			
Output voltage precision	1%			
Max. output current	397A	500A	794A	1000A
THDu	<3% (linear load)			
Rated output frequency	50Hz/60Hz			
Overloading capability	110% overland			
PCS Efficiency				
Max. efficiency	99.03%			
Transformer				
Rated power	1000kW	1260kW	2000kVA	2500kVA
Voltage transformation ratio	0.4/6-35kV			
Isolation mode	oil-immersed transformer or dry type transformer			
General data				
IP grade	IP54			
Operation temperature	-35°C ~60°C (>50°C derating)			
Relative humidity	0~100% (no condensation)			
Cooling type	Intelligent forced air cooling			
Dimensions (W×H×D)	6058×2896×2438mm			
Weight	15000kg			
Altitude	5000m (>3000m derating)			
Display	Touch screen			
Communication protocol	Modbus-RTU, Modbus-TCP, IEC61850, IEC104			
Communication interface	RS485, Ethernet			
Standard	IEC62477-1, EN61000			

- Specification indexes may be subject to changes without further notice.