

REVO VM IV PRO-T

Hybrid On & Off Grid Energy Storage Inverter

series 4/6kW



Max PV input current 27A
Designed with 27A PV input current compatible to the market trend of increased Imp of solar panel



Easy access
Two outputs for smart load management
The second output can be scheduled on & off based on setting point of battery transfer to utility



Hybrid On & Off Grid
REVO VM IV PRO-T series is suitable for Hybrid On & Off Grid applications



Battery
Battery equalization function extend life cycle
Reserved communication port(RS485,CAN)for BMS



Interface
Global cloud platform mobile APP anytime and anywhere open APP;support power internet applications

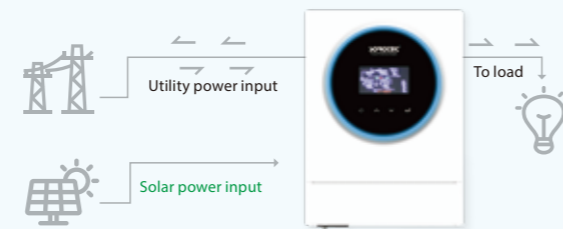


Lights
Customizable status LED ring with RGB lights

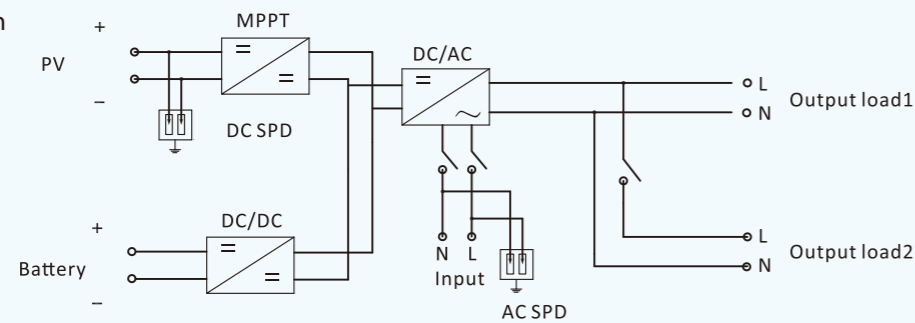
● With battery connected



● Without battery connected



● schematic diagram



Technical Specification	REVO VM IV PRO-T series	
	4000VA/4000W	6000VA/6000W
AC INPUT		
AC Voltage	230VAC	
Voltage Range	170-280VAC (For Personal Computers) ; 90-280 VAC (For Home Appliances)	
Frequency Range	50/60Hz (Auto sensing)	
AC OUTPUT		
Surge Power	8000VA	12000VA
AC Voltage Regulation (Battery Mode)	230VAC ± 5%	
Efficiency (Peak)	93%	
Transfer Time	10ms (For Personal Computers) ; 20ms (For Home Appliances)	
BATTERY		
Battery Voltage	24VDC	48VDC
Floating Charge Voltage	27VDC	54VDC
Overcharge Protection	33VDC	63VDC
Battery type	Lithium/Lead-acid	
SOLAR CHARGER & AC CHARGER		
Maximum PV Array Open Circuit Voltage	500VDC	
Maximum PV Array Power	5000W	7000W
MPPT voltage range(V)	60~450VDC	
Maximum input current	27A	
MPPT tracker/strings	1	
Maximum solar charge current	120A	
Maximum AC charge current	100A	
Maximum charge current	120A	
PROTECTION & FEATURE		
AC overcurrent	Yes	
AC overvoltage	Yes	
Over temperature protection	Yes	
Smart load management	Yes	
GENERAL PARAMETERS		
Operation temperature	0° C ~ 50° C	
Relative humidity	5% ~ 95% (Non-condensing)	
Altitude	(>2000m Derating)	
Dimensions DxWxH(mm)	434*311*126.5	
Net Weight(KG)	8.5	9
DISPLAY AND COMMUNICATION		
Display	Touch buttons	
Interface	Standard:RS232; CAN&RS485; Optional:WiFi,Bluetooth	
Safety standard	EN/IEC62109-1,EN/IEC62109-2	