

# SUNFUTURE



## MORE BRIGHT FUTURE FROM

### SF-120HCM6

## SUNFUTURE

### 166mm 120 cells PV Module 360-380 Watt



High transmissivity, low-iron tempered glass



Using high efficiency mono solar cells

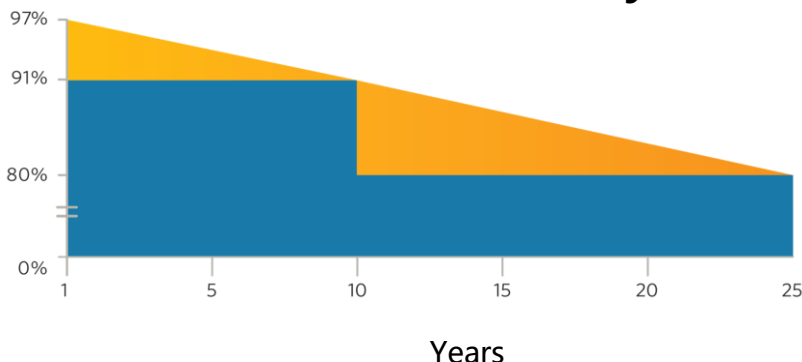


High quality junction box and connector systems



100% inspection to guarantee the reliable of solar systems

### 25 Years Linear Warranty



SF's Linear Performance Warranty  
 Industry Standard Warranty

**21.65%**  
CELL EFFICIENCY  
**12 YEAR**  
PRODUCT WARRANTY  
**0~+5W**  
POWER TOLERANCE

#### MANAGEMENT SYSTEM



ISO 9001:  
Quality management system



ISO 14001:  
Standard for environmental management system



OHSAS 18001:  
Internation standard for occupational health and safety assessment system

**BLACK** \*BLACK FRAME/BLACK BACK-SHEET  
PRODUCTS ARE AVAILABLE UPON REQUEST

PRODUCT  
CERTIFICATES



[www.sunfuturetech.com](http://www.sunfuturetech.com)  
More bright future from Sunfuture

20210602V08

## ELECTRICAL PERFORMANCE

### Electrical parameters at STC & NOCT

Module type	SF360-120HCM6		SF365-120HCM6		SF370-120HCM6		SF375-120HCM6		SF380-120HCM6	
	STC	NOCT	STC	NOCT	STC	NOCT	STC	NOCT	STC	NOCT
Maximum Power-Pmax(W)	360	268.8	365	272.6	370	276.3	375	280.0	380	283.8
Module efficiency-ηm(%)	19.8	/	20.0	/	20.30	/	20.60	/	20.9	/
Voltage at Pmax-Vmp(V)	34.0	31.7	34.2	31.8	34.4	32.0	34.6	32.2	34.8	32.4
Current at Pmax-Imp(A)	10.59	8.49	10.68	8.56	10.76	8.63	10.84	8.69	10.92	8.76
Open-circuit voltage-Voc(V)	40.5	38.0	47.0	38.2	40.9	38.3	41.1	38.5	41.3	38.7
Short-circuit current-Isc(A)	11.35	9.17	11.43	9.25	11.52	9.32	11.60	9.38	11.69	9.45

STC: 1000W/m<sup>2</sup> irradiance, 25°C cell temperature, AM1.5g spectrum according to EN 60904-3.

NOCT: open-circuit module operation temperature at 800W/m<sup>2</sup> irradiance, 20°C ambient temperature, 1m/s wind speed.

## THERMAL CHARACTERISTICS

Nominal operating cell temperature (NOCT)	45°C ± 2
Temperature coefficient of P <sub>max</sub>	-0.35%/°C
Temperature coefficient of V <sub>oc</sub>	-0.27%/°C
Temperature coefficient of I <sub>sc</sub>	+0.048%/°C

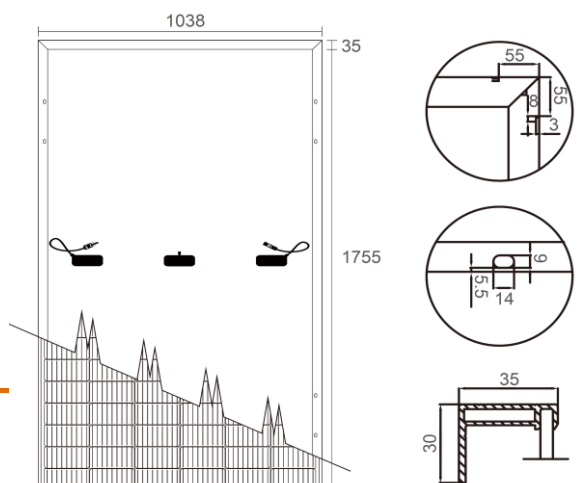
## Packing Configuration

Container	20'GP	40'HQ
Pieces per pallet	33	33
Pallets per container	6	26
Pieces per container	198	858

## OPERATING CONDITIONS & DIMENSION

Max. system voltage	1500V <sub>DC</sub>
Max. series fuse rating	25A
Operating temperature range	-40°C to 85°C
Max. static load, front (e.g., snow)	5400Pa
Max. static load, back (e.g., wind)	2400Pa
Dimension(mm)	1755×1038×35
Weight	19.5kg
Frame colour	Silver/Black

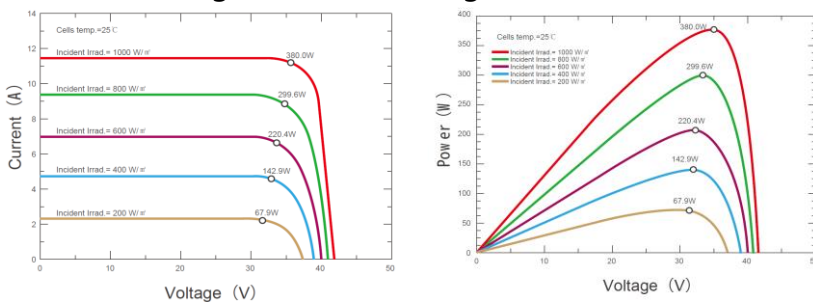
## Dimension Drawing



Unit: mm

## I-V Graph

### Current-Voltage & Power-Voltage Curves (SF380-HCM6)



\*The above drawing is a graphical representation of the product.  
 \*For engineering quality drawings please contact SUNFUTURE.  
 \*OEM/ODM order is welcomed.

[www.sunfuturetech.com](http://www.sunfuturetech.com)

TEL: +86(0871)63601319/+8613116261718

SUNFUTURE NEW ENERGY TECHNOLOGY CO.,LTD.

Email: [info@sunfuturetech.com](mailto:info@sunfuturetech.com)

NO. G124, Building 7, Shuntong Hardware & Electrical city, Shuntong Ave. Ala street office, Economic development zone, Kunming area, China (Yunnan) Free Trade Zone

Facebook: <https://www.facebook.com/Sunfuture-TECH-106964277619197>