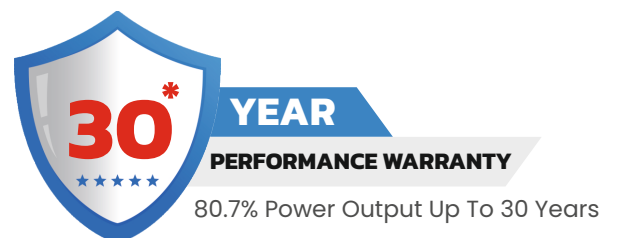


MONOCRYSTALLINE SILICON | PHOTOVOLTAIC MODULES

475Wp - 500Wp

132 cell



- Australian Brand manufactured with APS's high standards of design & quality control
- PV Modules with highly reliable and enhanced crack tolerant cells to minimize micro-cracks.
- PV Modules with positive tolerance that delivers reliable higher output.
- PV Modules having high concentrated Photovoltaic cells for better conversion efficiency
- PV Modules made from Half Cut Cells for optimum performance
- Split twin peak junction boxes with special heat dissipation design for minimizing leakage current
- PV Modules with high PID resistance
- High PV Energy yields even under low light and cloudy conditions
- PV Modules made from premium quality Raw Materials and advanced manufacturing processes to guarantee reliability



MADE IN
INDIA

ELECTRICAL TYPICAL VALUE

Model	APSAM-475/132	APSAM-480/132	APSAM-485/132	APSAM-490/132	APSAM-495/132	APSAM-500/132
Maximum Power (Pmax)	475W	480W	485W	490W	495W	500W
Maximum Power Voltage (Vmp)	37.67 V	37.93 V	37.93 V	38.08 V	38.23 V	38.38 V
Maximum Power Current (Imp)	12.63 A	12.79 A	12.82 A	12.87 A	12.95 A	13.04 A
Open Circuit Voltage (Voc)	44.8 V	44.9 V	45.1 V	45.25 V	45.4 V	45.60 V
Short Circuit Current (Isc)	13.51 A	13.59 A	13.67 A	13.74 A	13.82 A	13.89 A
Module Efficiency	20.10%	20.30%	20.50%	20.70%	20.90%	21.04%

MECHANICAL CHARACTERISTICS

Dimensions	2277 X 1133 X 35 MM*
Weight	28.25 Kg*

***NOTE : STC : Irradiance 1000W/m² Module Temperature 25°C AM=1.5**

TEMPERATURE CHARACTERISTICS

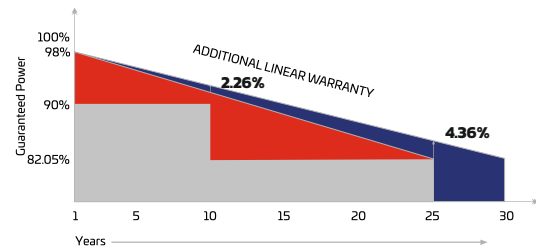
NOCT (Nominal Operation Temperature)	: 47 ± 2°C
Temperature Coefficient of Voc (β)	: -0.35%/°C
Temperature Coefficient of Isc (α)	: 0.05%/°C
Temperature Coefficient of Pmax (γ)	: -0.45%/°C

ABSOLUTE MAXIMUM RATING

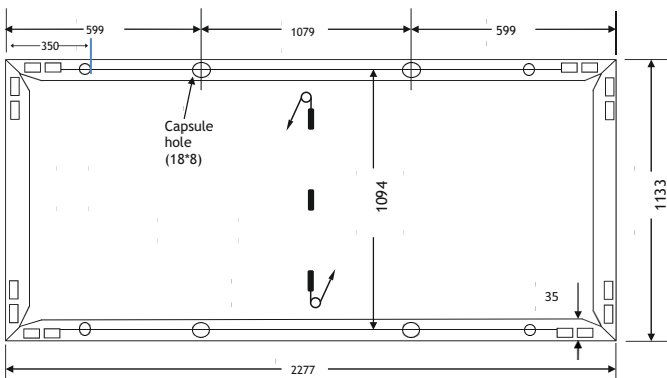
Parameter	Values
Operating Temperature	From -40° to 85°C
Maximum Series Fuse Rating	25 A
Application Class	IEC & BIS APPROEVD
Maximum System Voltage	1500 Vdc

MODULE CHARACTERISTICS

Solar Cells	Mono
No. of Cells	132 Cells
Glass	Low Iron, tempered glass, 3.2 / 2.8 mm*
Frame	Anodized aluminum alloy
Junction Box	IP68
Cable & Plug Connectors	400MM X 4.0MM Mc4 compatible / IP 68
Maximum Snow Load	2400 Pascal
Maximum Wind Load	5400 Pascal
Hailstorm Impact Test	80 km/h for 25mm ice ball

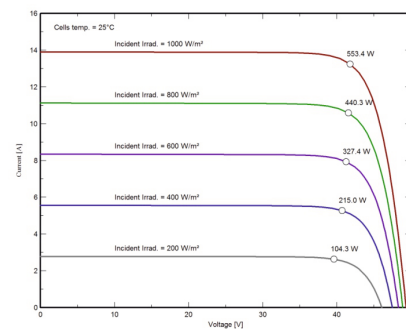


(Design In Australia | Manufactured in India)



ALL DIMENSIONS ARE IN mm

TEMPERATURE CHARACTERISTICS



I-V-CURVE

Note :

The Specifications in this datasheet are subject subject to change without any notice.
 The Electrical data given here is for reference purpose only.
 Please contact our sales team for any customized solutions.
 Please read safety and installation instructions before using the product.
 Subject to Ahmedabad Jurisdiction.

*Warranty :

Please read APS India warranty documents thoroughly on <http://australianpremiumsolar.co.in/warranty/>

Toll Free : 1800-313-5052

Corporate Office : 301, 3rd floor, Satyamev Eminence, Nr. Shukan Mall, Science City Road, Ahmedabad, Gujarat - 380060.

Factory : At & Post - Tajpur, N.H.-08, Ta - Prantij, Dist - Sabarkantha, Gujarat-383205 (India).

* The images shown are for illustration purposes only and may not be an exact representation of the product.