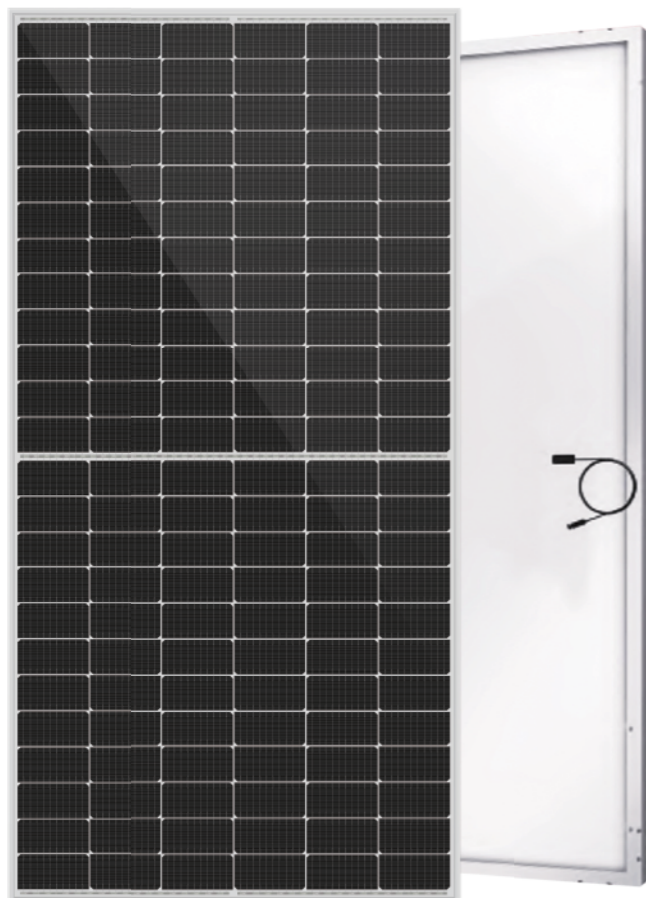


182 Solar Module 540-560W

STM540-560/144-S3

Higher power output **21.7%** up to



PID Resistance



Low-light Performance



Severe Weather Resilience



Durability Against Extreme Environmental Conditions



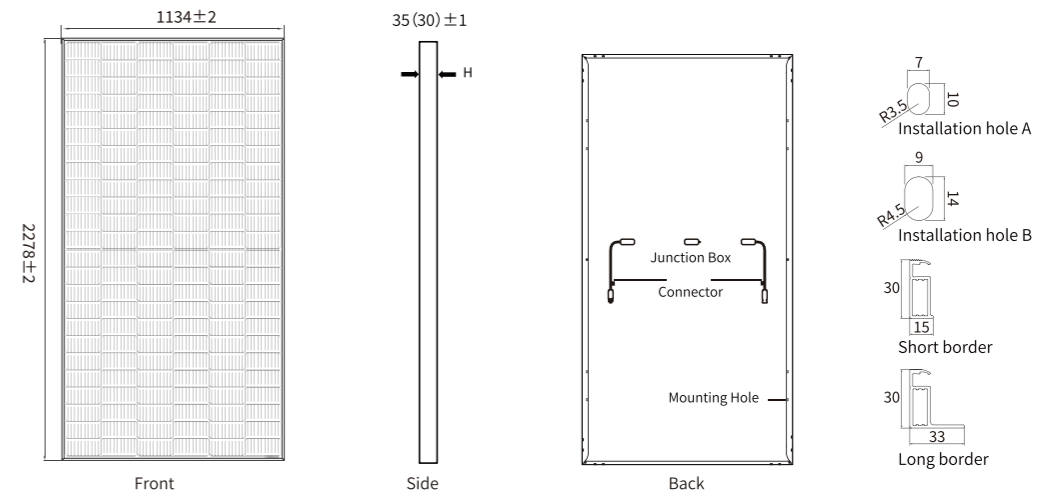
12
YEARS

12-year Warranty for Materials and Processing

25
YEARS

25-year Warranty for Extra Linear Power Output

ISO 9001:2015
ISO 14001:2015
ISO 45001:2018
GB/T 29490-2013



Remark: customized frame color and cable length available upon request

Packaging(pcs/40HQ container)	17.5 meter semi hanging	Dimensions	Weight
31/620pcs 37/740pcs	31/930pcs 37/1036pcs	2278x1134x35(30)mm	28kg±3%

MECHANICAL SPECIFICATION				OPERATING PARAMETERS			
Cell	Mono			Maximum System Voltage	1500VDC		
No.of cells	144(6x24)			Operating Temperature	-40°C~+85°C		
Cable Length	300mm(+)/300mm(-)			Maximum Series Fuse	25A		
Cable Cross Section Size	4mm ² (IEC)			Maximum StaticLoad,Front	5400Pa(112lb/ft ²)		
Junction Box	IP68,3 diodes			Maximum StaticLoad,Back	2400Pa(50lb/ft ²)		
Connector	MC4 Compatible			Safety Class	Class II		
STC:AM1.5 1000W/m ² 25°C NOCT:AM1.5 800W/m ² 20°C 1m/s				Test Uncertainty for Pmax ±3%			

Module Type	STM540/144-S3		STM545/144-S3		STM550/144-S3		STM555/144-S3		STM560/144-S3	
	STC	NOCT	STC	NOCT	STC	NOCT	STC	NOCT	STC	NOCT
Testing Condition	STC	NOCT	STC	NOCT	STC	NOCT	STC	NOCT	STC	NOCT
Maximum Power(Pmax/W)	540	406.8	545	410.5	550	414.3	555	418.1	560	421.8
Open Circuit Voltage(Voc/V)	49.60	46.40	49.75	46.54	49.90	46.68	50.05	46.82	50.20	46.96
Short Circuit Current(Isc/A)	13.86	11.19	13.93	11.24	14.00	11.30	14.07	11.36	14.14	11.41
Voltage at Maximum Power(Vmp/V)	41.64	38.36	41.80	38.52	41.96	38.68	42.12	38.84	42.28	38.99
Current at Maximum Power(Imp/A)	12.97	10.60	13.04	10.66	13.11	10.71	13.18	10.77	13.25	10.82
Module Efficiency(%)	20.89		21.09		21.28		21.50		21.70	

TEMPERATURE RATINGS		ADDITIONAL VALUE	
Norminal Operating Cell Temperature(NOCT)	45±2°C	25-Year Power Warranty	
Temperature Coefficient of Isc	+0.045%/°C	98% (Year 1) to 84.8% (Year 25)	
Temperature Coefficient of Voc	-0.275%/°C		
Temperature Coefficient of Pmax	-0.350%/°C		

