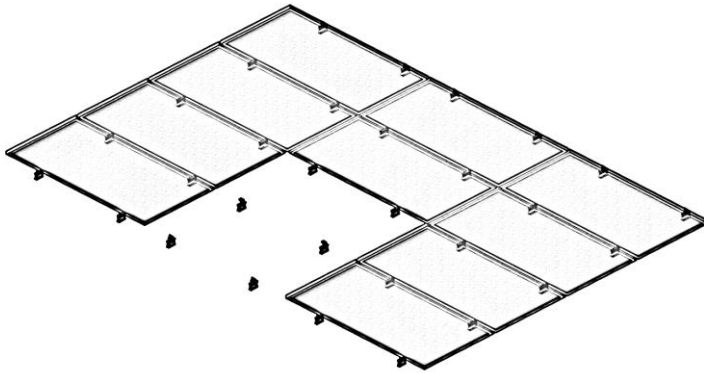


AXe | STRUCT

DS_AXE_RT_RL
Product data sheet
AXE^{RT} RL – Roof Top Railless



AXE^{RT}

Roof Top - Railless

Durable

Aluminium brackets with stainless steel fittings for the toughest environmental conditions.

Economical

Cost competitive, functional design with minimal number of tools needed, reducing installation costs.

Versatile

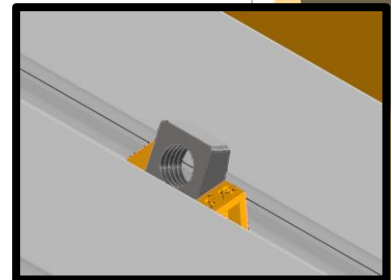
Compatible to a wide range of roof sheeting types.

Effortless

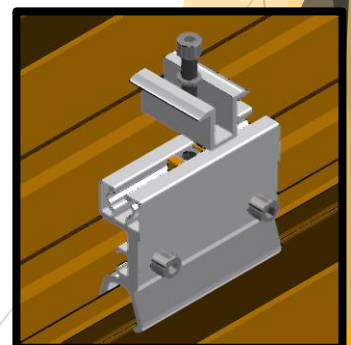
Innovative design for time saving installation methods with a modular and practical integrated solution.

Application	Roof top	
Roof types	Fix Lok (Saflok/Klip-Lok/ProLok), Spring Lok Trapezoidal (IBR) Corrugated Pinch Fix (Brownbuilt/Craft-Lock/Dimondek) Consult for other roof types	
Module orientation	Landscape and portrait on selected roof types	
Standards	IEC 62548 Eurocode 9	PV arrays design requirements Design of aluminium structure
Materials	Small parts	Stainless steel (A2) Available in Stainless steel (A4) Extruded aluminium (6063 T6) Available in 15µm or 25µm anodising layer
Earth plates	PV module earth connections (On request)	
Manufactured	100% South African produce and fabricated	
Warranty	10 years ¹	

Nuts in Bracket for Clamp connection



Clamp connection to roof bracket



¹ For terms and conditions please refer to the Axe Struct Warranty Terms.