

AXE^{RT}

Roof Top - Railed

Durable

Aluminium rails with stainless steel fittings for the toughest environmental conditions.

Trust

Robust layout independent to roof sheeting with conservative bracket spacings to assure resistance to failure.

Versatile

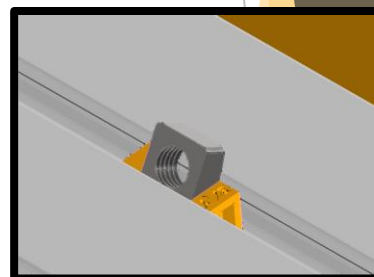
Compatible to a wide range of roof sheeting types. Rails have vertical and horizontal connection options.

Effortless

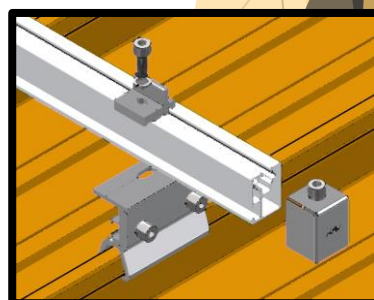
Innovative design for time saving installation methods with a modular and practical integrated solution.

Application	Roof top
Roof types	Fix Lok (Saflok/Klip-Lok/ProLok), Spring Lok Trapezoidal (IBR) Corrugated Standing Rib (Dimondek/Zip-Tek) Pinch Fix (Brownbuilt/Craft-Lock) Consult for other roof types
Module orientation	Portrait and landscape on selected roof types
Row length	Up to 33 meters
Bracket spacing	In accordance with static calculations Up to 1.6 meters
Standards	SANS 10160 Structural design SANS 10162 Structural use of steel IEC 62548 PV arrays design requirements Eurocode 9 Design of aluminium structure
Materials	Support rails Extruded aluminium (6063 T5) Available in 15µm or 25µm anodising layer Small parts Stainless steel (A2) Available in Stainless steel (A4) Extruded aluminium (6063 T6) Available in 15µm or 25µm anodising layer
Earth plates	PV module earth connections (On request)
Manufactured	100% South African produce and fabricated
Warranty	10 years ¹

Nuts in Rail for Clamp connection



Rail connection to roof bracket



¹ For terms and conditions please refer to the Axe Struct Warranty Terms.