

## AXE<sup>RT</sup>

### Roof Top – Angled Railed

#### Durable

Aluminium structures with stainless steel fittings for the toughest environmental conditions.

#### Trust

Conservative coefficient selections in structural design to assure resistance to failure.

#### Versatile

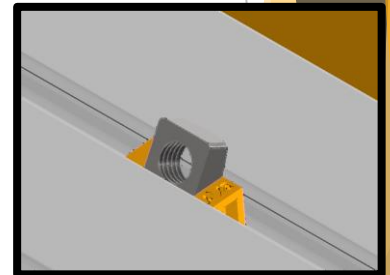
Compatible to a wide range of roof sheeting types. Angled according to your solar analysis.

#### Effortless

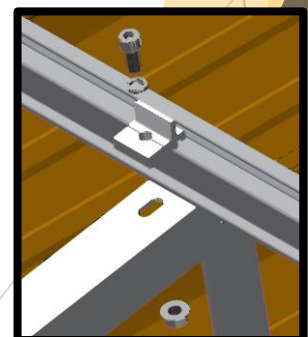
Innovative design for time saving installation methods with a modular and practical integrated solution.

<b>Application</b>	Roof top
<b>Roof types</b>	Fix Lok (Saflok/Klip-Lok/ProLok), Spring Lok Trapezoidal (IBR) Corrugated Standing Rib (Dimondek/Zip-Tek) Pinch Fix (Brownbuilt/Craft-Lock) Consult for other roof types
<b>Module orientation</b>	Portrait Max module length ≤ 2300mm
<b>Inclination</b>	10° to 25° angle
<b>Row length</b>	Up to 33 meters
<b>Bracket spacing</b>	In accordance with static calculations Up to 1.5 meters
<b>Standards</b>	SANS 10160 Structural design SANS 10162 Structural use of steel IEC 62548 PV arrays design requirements Eurocode 9 Design of aluminium structure
<b>Materials</b>	Support rails and Incline angles Extruded aluminium (6063 T5 or T6) Available in 15µm or 25µm anodising layer Small parts Stainless steel (A2) Available in Stainless steel (A4) Extruded aluminium (6063 T6) Available in 15µm or 25µm anodising layer
<b>Earth plates</b>	PV module earth connections (On request)
<b>Manufactured</b>	100% South African produce and fabricated
<b>Warranty</b>	10 years <sup>1</sup>

Nuts in Rail for Clamp connection



Rail connection to incline channel



<sup>1</sup> For terms and conditions please refer to the Axe Struct Warranty Terms.