

LP210*210-M-55-MH

Rated Power 540-555W



MBB Cell
New circuit design, lower internal current, lower internal resistance loss.



Low Light Features
Higher performance under low light environment.



Higher Output Power
Module adopts 110 pcs of 210*210mm half cells, the maximum power can reach 555W.



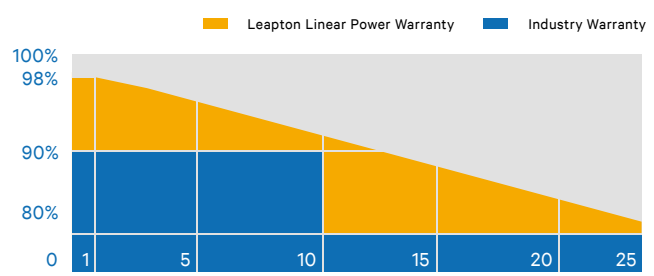
PID Protection
Ensure the attenuation probability caused by PID phenomenon is minimized.



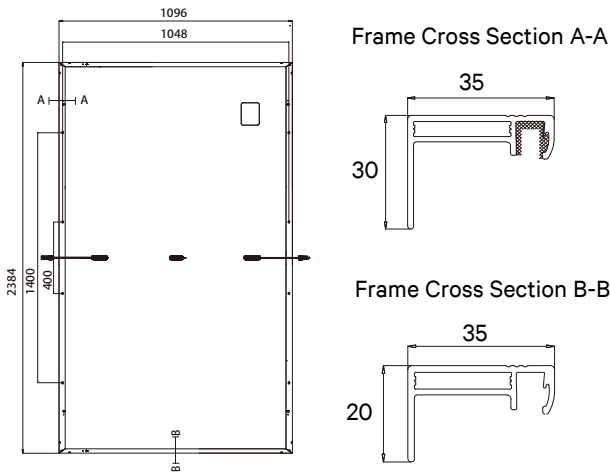
Harsh Environmental Adaptability
Strict salt spray and ammonia corrosion test by TUV Nord.



Load Capacity
Mechanical load tests including wind load 2400 Pa and snow load 5400 Pa done by TUV Nord.



MECHANICAL DIAGRAMS



SPECIFICATIONS

Weight	29.5kg
Dimensions	2384mm*1096mm*35mm
Cell Dimensions	210*210mm
Cell Amount	55*2 pcs
Maximum System Voltage	1500V
Junction Box	IP68
Frame	Aluminum Alloy
Cable	4mm ² , Landscape: N 1400mm/P 1400mm Portrait: N 280mm/P 280mm
Connector	MC4 compatible
Application Level	Class A

ELECTRICAL PARAMETERS AT STC

Power	540W	545W	550W	555W
Open Circuit Voltage	37.86V	38.06V	38.26V	38.46V
Short Circuit Current	18.12A	18.17A	18.22A	18.27A
Maximum Power Voltage	31.56V	31.76V	31.96V	32.16V
Maximum Power Current	17.11A	17.16A	17.21A	17.26A
Module Efficiency	22.68%	22.89%	23.10%	23.31%

* Under Standard Test Conditions (STC) of irradiance of 1000 W/m², spectrum AM 1.5 and cell temperature of 25°C.

ELECTRICAL PARAMETERS AT NMOT

Power	409W	413W	417W	420W
Open Circuit Voltage	35.13V	35.32V	35.51V	35.69V
Short Circuit Current	14.86A	14.90A	14.94A	14.98A
Maximum Power Voltage	29.26V	29.44V	29.63V	29.81V
Maximum Power Current	13.98A	14.03A	14.08A	14.07A
Module Efficiency	17.06%	17.23%	17.40%	17.50%

* Under Nominal Module Operating Temperature (NMOT), irradiance of 800 W/m², spectrum AM 1.5, ambient temperature 20°C, wind speed 1 m/s.

TEMPERATURE CHARACTERISTICS

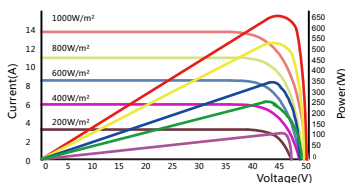
NMOT	41±3°C	Temp Coefficient of ISC	+0.05%/°C
Temp Coefficient of VOC	-0.28%/°C	Temp Coefficient of Pmax	-0.36%/°C

PACKING CONFIGURATION

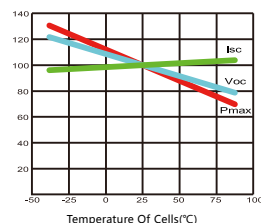
Modules/Pallet	31 Pieces	Modules/40'Container	558 Pieces
Packing Description	18 Pallets, Total=(31+31)x9=558 Pieces		

CHARACTERISTICS

LP210*210-M-55-MH-540W



LP210*210-M-55-MH-540W



MAXIMUM RATING

Output Tolerance	0~+5W
Operating Temperature	-40°C~+85°C
Wind Load/Snow Load	2400pa/5400pa
Fuse Current	30A



Headquarter : Leapton Energy Co., Ltd.

☑ Tosei Bldg. 6F, 1-2-1 Aioi-cho, Chuo-ku Kobe-shi, Hyogo, 650-0025, Japan

☎ +81-78-382-3182

🌐 www.leaptonenergy.jp

Manufacturer : Leapton Solar (Changshu) Co., Ltd.

☑ No.9, Sunshine Avenue, Changshu City, Jiangsu, China

☎ +86-512-88800068

✉ info@leaptonenergy.com

🌐 www.leaptonpv.com