

Transforming the power of sun



MONOPERC
SOLAR PV MODULES

72 CELLS

390-405Wp POWER OUTPUT RANGE

HIGH EFFICIENCY

POSITIVE POWER TOLERANCE*



5 Busbar Solar Cell

5 busbar cell design improves module efficiency and offers better power output



High Efficiency

Higher module conversion efficiency (upto 20.37%) benefit from Passivated Emmitter Rear Contact (PERC) technology



Outstanding Durability

With its reinforced frame design, our modules can endure front load of up to 5400 Pa and rear load of up to 2400 Pa to withstand heavy wind & snow loads



Better Performance in High Temperature

Our PV modules deliver efficient performance even in high temperature conditions due to its improved temperature coefficient



Low Light performance

Advanced glass and cell surface texture design ensures excellent performance in low light environment



Enhanced Performance

Our PV modules provide more than 80% power output even after 25years of operation



Global Certifications

IEC 61215, IEC 61730 (I & II), IEC 61853, IEC 62804, IEC 60068, IEC 61701, IEC 62716, BIS Certified - IS 14286



*Positive Power Tolerance of 0 to 4.99W

Technical Specifications

Module Type	JP-H390M		JP-H395M		JP-H400M		JP-H405M	
	STC	NOCT	STC	NOCT	STC	NOCT	STC	NOCT
Peak Power Watts-P _{MAX} (Wp)*	390	293	395	297	400	301	405	305
Maximum Power Voltage-V _{MPP} (V)*	41.02	38.11	41.11	38.2	41.19	38.27	41.25	38.33
Maximum Power Current-I _{MPP} (A)*	9.51	7.7	9.61	7.78	9.72	7.87	9.82	7.95
Open Circuit Voltage V _{OC} (V)*	48.54	45.1	48.7	45.25	48.9	45.43	49.1	45.62
Short Circuit Current I _{SC} (A)*	9.95	8.06	10.03	8.12	10.15	8.22	10.3	8.34
Module Efficiency η_m (%)*	19.62		19.87		20.12		20.37	

* Under Standard Test Conditions (STC) of 1000 W/m² irradiance, AM 1.5 spectrum and 25°C cell temperature.
NOCT: Irradiance at 800 W/m², Ambient Temperature 20°C, Wind Speed 1m/s

Mechanical Data

Solar Cells	Monocrystalline PERC
Cell Orientation	72 Cells (6x12)
Module Dimensions	1986 x 1001 x 35 mm
Weight	23 kg
Glass	3.2 mm, High Transmission, AR Coated Tempered Glass
Backsheet	Composite film
Cell Encapsulation	EVA-Ethylene Vinyl Acetate
Frame	Anodized Aluminium Alloy (40mm also available)
J-Box	IP 67 with 3 bypass diodes
Cables	Cable 4.0 mm ² , 1200 mm
Connector	MC4 Compatible
Application Class	Class-A (Safety Class-II)

Temperature Ratings

Nominal Operating Cell Temperature (NOCT)	44°C (±2°C)
Temperature Coefficient of P _{MAX}	-0.39%/°C
Temperature Coefficient of V _{OC}	-0.29%/°C
Temperature Coefficient of I _{SC}	0.048%/°C

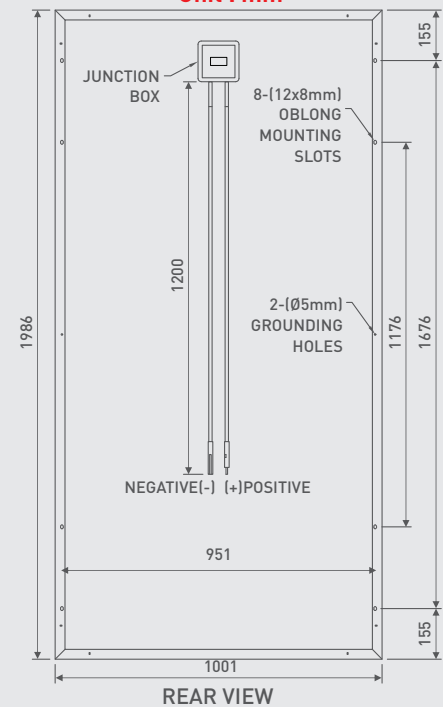
Maximum Ratings

Operating Temperature	-40 to +85°C
Maximum System Voltage	1500V DC (IEC) 1500V DC (UL)
Max Series Fuse Rating	20A

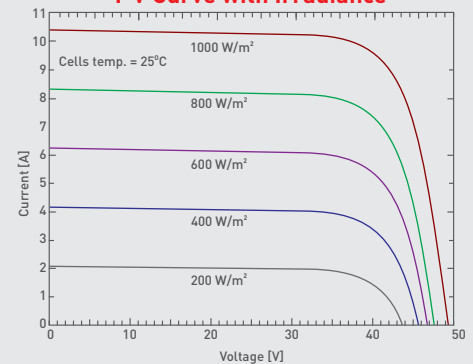
Warranty

10 year Product Workmanship Warranty
25 year Linear Performance Warranty

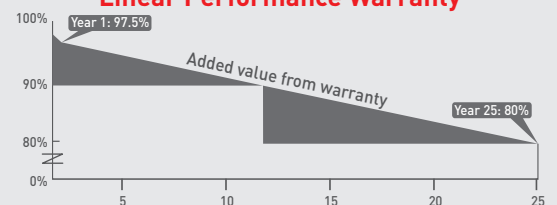
Dimension of PV Module Unit : mm



I-V Curve with Irradiance



Linear Performance Warranty



JAKSON ENGINEERS LIMITED

A-43, Phase-II Extn., Hosiery Complex, Noida-201305, U.P., India | Tel.: +91-120-4302600, 4526100 | Toll Free No. : 1800 103 2600
E-mail: customer.support@jakson.com ; solarproducts@jakson.com | www.jakson.com

Product specifications are subject to change without notice
©2021 JAKSON ENGINEERS LTD. All rights reserved