

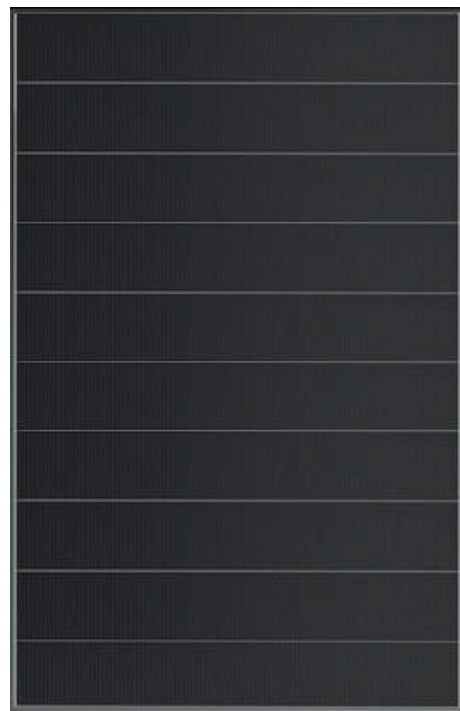


XS60+SERIES PHOTOVOLTAIC MODULES

PEAK POWER: 320-340 Wp

FEATURES INCLUDE:

- Elimination of ribbon and soldering, Ribbon-less design
- Positive power tolerance of 0~+5W improves system performance
- Industry-leading module efficiency: maximum efficiency of 19.6%
- Tested up to 5400Pa for maximum load resistance
- Manufactured globally with world-class quality standards



QUALITY, RELIABILITY, AND KWH YIELD

Modules are powered by industry acknowledged high performance, reliable silicon cells. 20 years of experience in solar module engineering and design, along with rigorous durability and performance tests, ensure reliable lifetime performance and maximum kWh yield.

25-YEAR PROGRESSIVE WARRANTY*

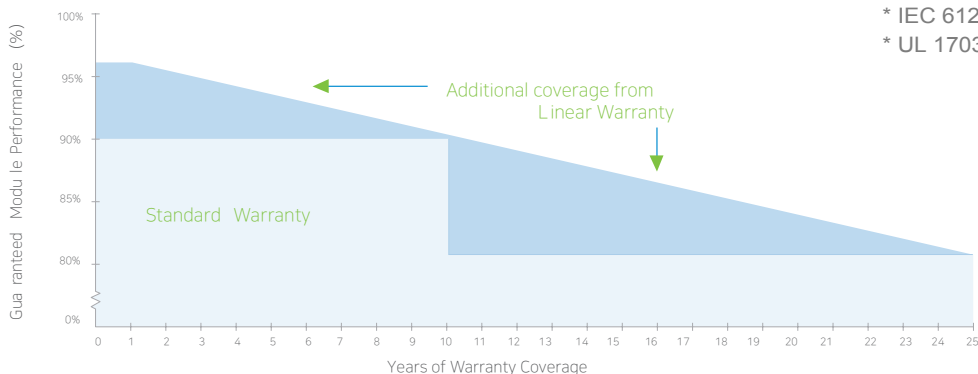
- 25-year progressive power warranty
- 10-year warranty on materials and workmanship

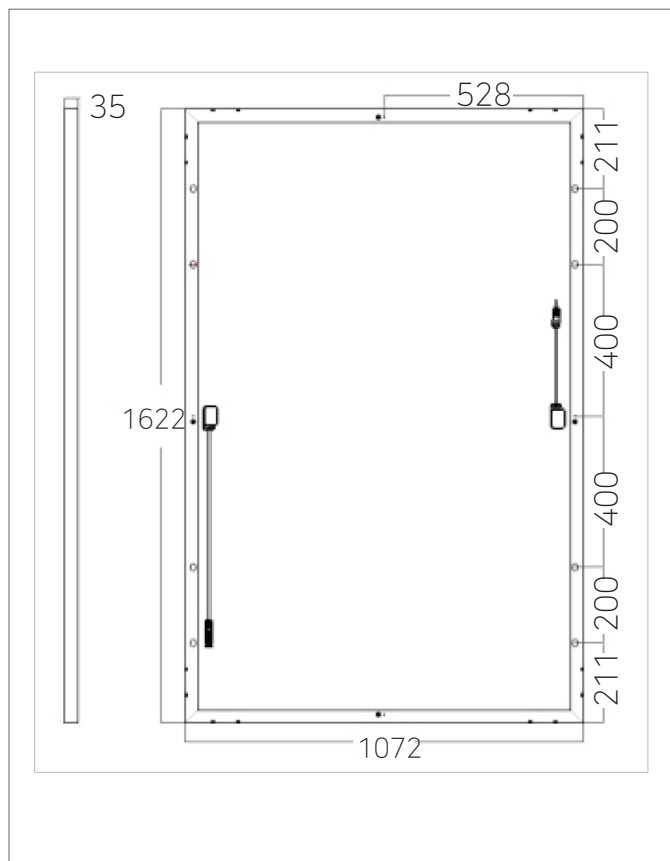
CERTIFICATIONS & STANDARDS*



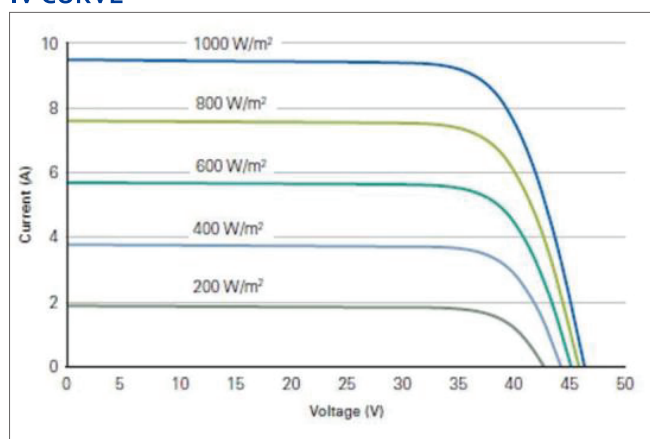
* IEC 61215/61730: VDE

* UL 1703:CSA



PHYSICAL CHARACTERISTICS

PHYSICAL DESIGN PROPERTIES

Dimension	1622×1072×35mm
Weight	19 kg
Glass	3.2mm High Transmission, AR Coated Tempered Glass
Junction Box	IP65/IP67 rated, with bypass diodes
Output Cables	4.0mm ² (EU)/12 AWG(US),900mm
Connectors	MC4 or MC4 Compatible

IV CURVE

ELECTRICAL PERFORMANCE

XS60EB-320

XS60EB-325

XS60EB-330

XS60EB-335

XS60EB-340

Electrical Performance @ STC						
Maximum Power P _{max} [Wp]		320	325	330	335	340
Tolerance		0~+5W	0~+5W	0~+5W	0~+5W	0~+5W
Max. Power Voltage V _{mpp} (V)		36.5	36.7	36.9	37.1	37.3
Max. Power Current I _{mpp} (A)		8.77	8.86	8.95	9.03	9.12
Open Circuit Voltage V _{oc} (V)		44.3	44.5	44.8	45.0	45.2
Short Circuit Current I _{sc} (A)		9.36	9.40	9.47	9.53	9.59
Module Efficiency (%)		18.4%	18.7%	19.0%	19.3%	19.6%

ELECTRICAL PERFORMANCE PARAMETERS

I _{sc} Temperature Coefficient	α (%/°C)	+0.04	Max. Series Fuse	13A
V _{oc} Temperature Coefficient	β (%/°C)	-0.31	Max. System Voltage	IEC 1000V
P _{max} Temperature Coefficient	γ (%/°C)	-0.41	Nominal Operating Cell Temp. (NOCT)	45°C ± 2°C

Values at Standard Test Conditions STC (Air Mass AM1.5, Irradiance 1000W/m², Cell Temperature 25 °C). Values at Normal Operating Cell Temperature, Irradiance 800W/m², Spectrum AM1.5, Ambient temperature 20 °C, wind speed 1m/s.
Motech reserves the rights of final interpretation and revision on this datasheet.

DOC18TW064 Rev A Oct 2018