

POLAR
RACKING

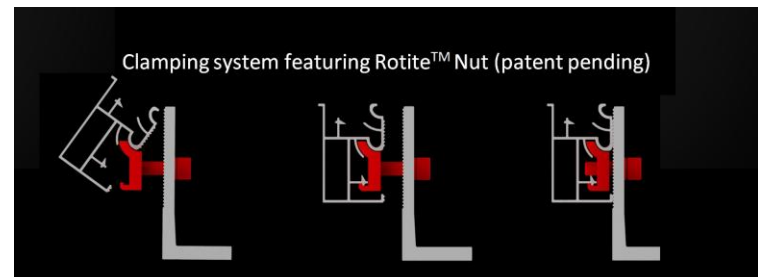
PRR

FLUSH MOUNT ROOF SYSTEM

The PRR racking system is a versatile lightweight mounting solution, suitable for flush mounted shingle, metal, tile roofs, awning, BIPV and facade mounts.

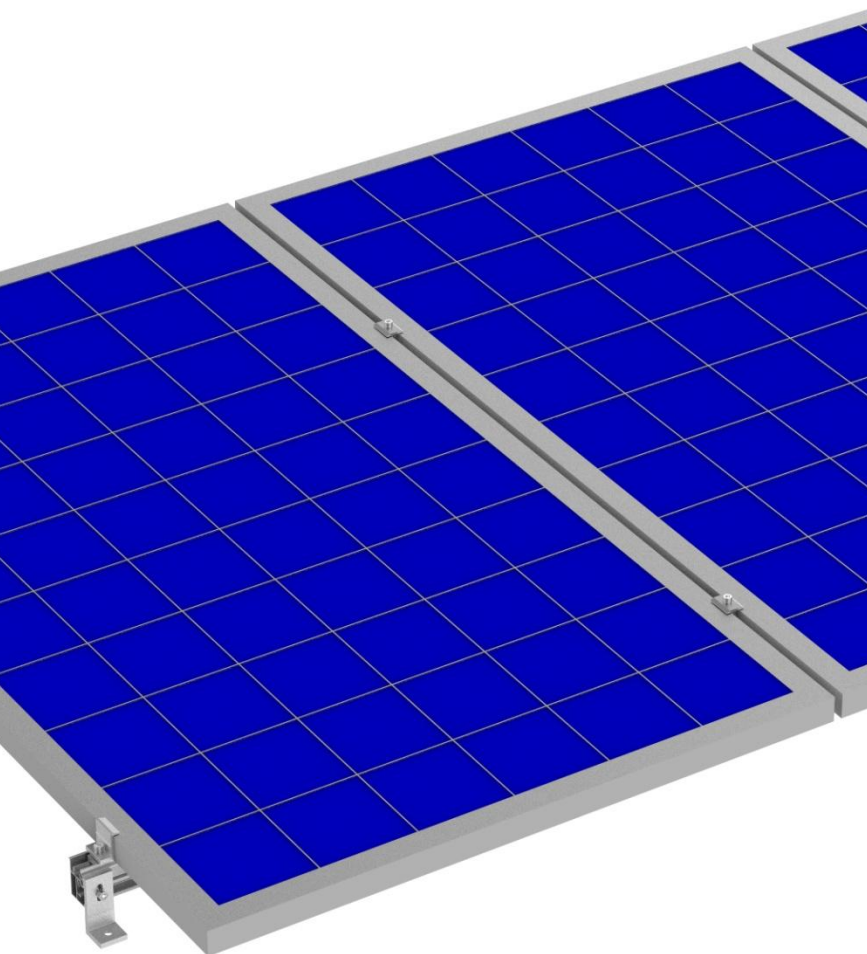
KEY PRODUCT BENEFITS

- Fewer penetrations, up to 50% longer spans
- Fully integrated module bonding and system grounding
- Faster installation time with fully pre-assembled & snap-in place components
- 10 Year Warranty



KEY TECHNICAL FEATURES

- Robust lightweight design
- 6000 Series aluminum components, 300 Series stainless steel hardware
- UL 2703 (electrical bonding & corrosion resistance)
- Accommodates all framed modules from 35-50 mm
- L-Foot design accommodates various mounting solutions (Hanger Bolts, Flashings, Roof Hooks & Concrete Anchors)
- Online Configurator Tool to design, engineer, price, order & save all your projects
- Project Management via Polarworkflow™ system
- Available in black anodized finish
- Full technical support



Pre-Assembled L-Foot

Flashing - 900031001

Anchor/Hangerbolt-900031002

Pre-Assembled End Clamp

900032001 - 40mm

900032002 - 46mm

900032003 - 50mm

900032004 - 35mm

Grounding Lug

900036001

PR-Rail Extrusion

200027001 - 12'

200027002 - 20'

200027003 - 24'

**Pre-Assembled Intermodule
Clamp w/Bonding Washer**

900033001 - 40mm

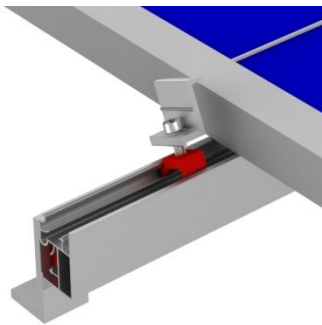
900033002 - 46mm

900033003 - 50mm

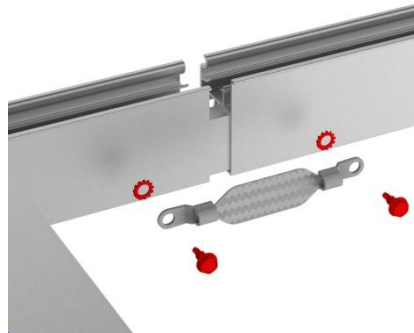
900033004 - 35mm

Splice & Bonding Jumper

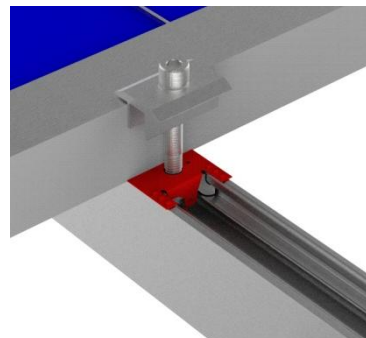
200030001



Rotate in Place Connections



**Self Tapping Hardware for Grounding
(Rapid Connection of Electrical
Components)**



**Intermodule Clamp
Featuring Preassembled
Bonding Washer**



**Polar Racking Flashing
Available**



**POLAR
RACKING**

This document does not create any express warranty by Polar Racking, about its products or services. Polar Racking's sole warranty is contained in the written product manual for each product. The end-user documentation shipped with Polar Racking's products constitutes the sole specification referred to the product warranty. The customer is solely responsible for verifying the suitability of Polar Racking's product for each use. Subject to change without notice. Last update, September 2015.