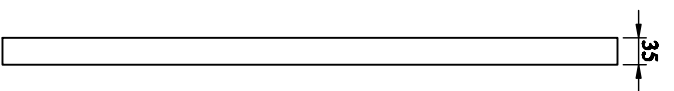
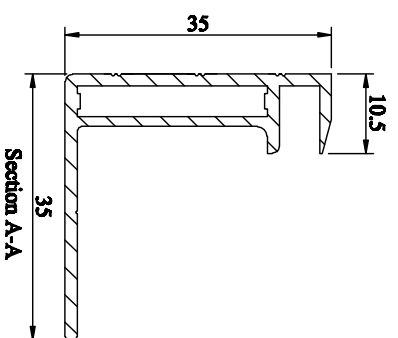


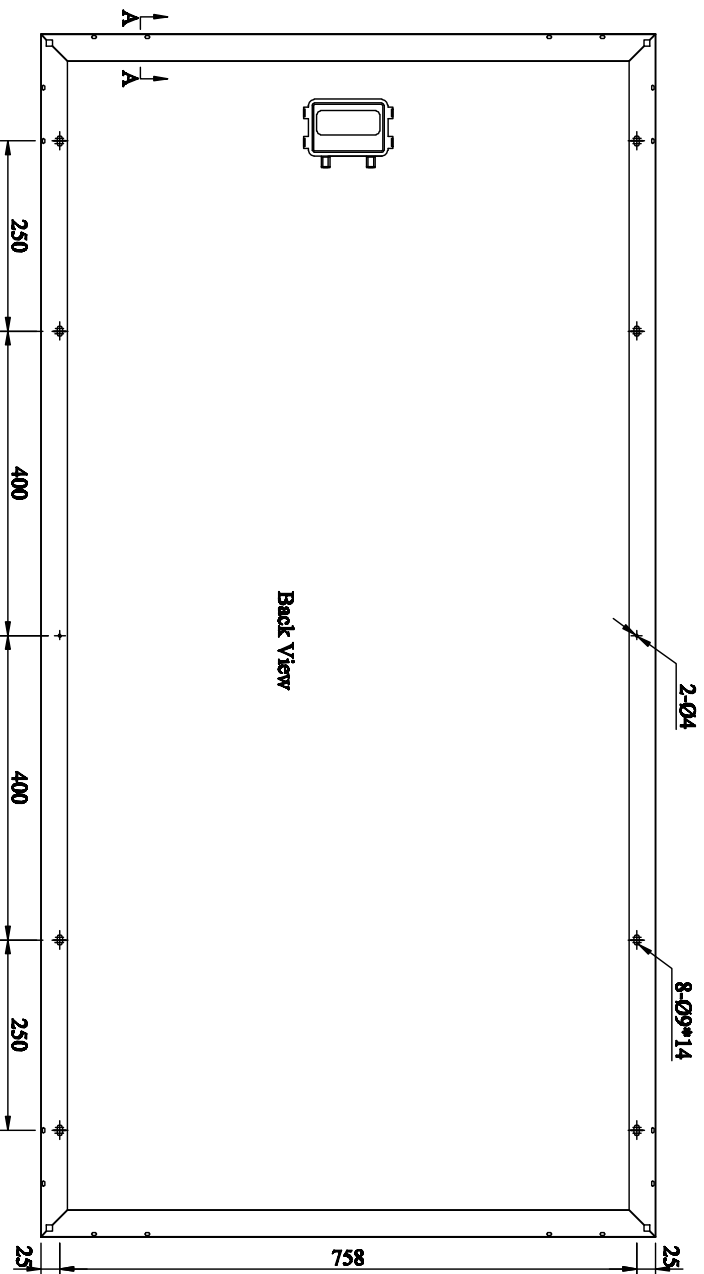
Front View



35



Section A-A



Back View

Model:KFP200M-24
Max. Power (P_m): 200W
Open Circuit Voltage (V_{oc}): 44.8V
Max. Power Voltage (V_{mp}): 36.5V
Max. Power Current (I_{mp}): 5.57A
Short Circuit current (I_{sc}): 5.95A
Module Dimension: 1580*808*35mm