

Hansol

**Multi
60 cells
(250~265Watt)**

Those who dream of a better future can help lead to a more meaningful and enriched world. As a leading solar module manufacturer in Korea, we never stop to achieve competitiveness through differentiation, implement the maximum value, and commit to sustainable development with customers.

Key Features

25 years **Linear Performance Warranty**
10 Years product warranty
25 Years linear power warranty

******* **Certified Durability**
5,400Pa snow load
2400 Pa wind load

1000V **1000V**
Designed for UL 1000V and IEC 1000V

Optional Features

PID FREE **PID Free**
Anti-PID Cell
Anti-PID encapsulation technology

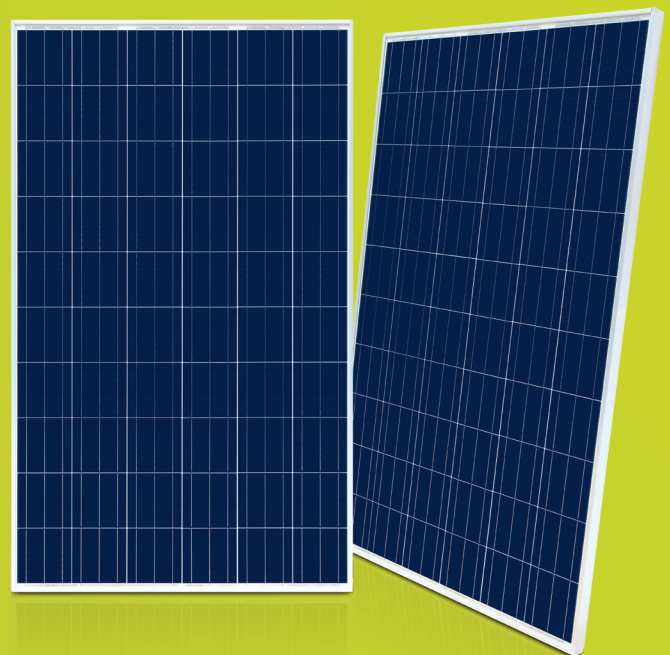
~~~~~ **Floating PV Installation**
Module backside blocks moisture permeability

▲ **Power Optimization**
Increase the energy output of each individual panel in a system to enhance O&M, shade and age tolerance

Black **Railless Black Frame**
Sleek and aesthetic appearance

Product Certificates

IEC 61215 / IEC 61730 : TUV / VDE / CE
IEC 61701 Salt Mist Corrosion Level 6
UL 1703 Fire Rating Type 1 and Type 2



Hansol
www.hansoltechnics.com

Everlasting sustainable energy solution provider

Multi - Crystalline Solar Module (ME-V01)

60 cells (250~265Watt)

Electrical Data / STC (ME-V01) : Irradiance of 1000W/°C, spectrum AM 1.5 and cell temperature of 25°C

	Pmax (Wp)	250	255	260	265
Nominal Max Power	Pmax (Wp)	250	255	260	265
Voltage at Pmax	Vmp (v)	30.5	30.6	30.7	30.8
Current at Pmax	Imp (A)	8.2	8.34	8.48	8.61
Open Circuit Voltage	Voc (v)	37.9	38	38.1	38.2
Short Circuit Current	Isc (A)	8.57	8.71	8.85	8.98
Module Efficiency	%	15.62%	15.93%	16.24%	16.56%
Operating Temperature		-40°C ~ +85°C			
Max. System Voltage		UL & IEC 1000 Vdc			
Max. Service Fuse Rating		15A			
Max. Reverse Current		15A			
Power tolerance		0 ~ +4.99W			

Electrical Data / NOCT (ME-V01) : Irradiance of 800W/°C, spectrum AM 1.5 and ambient temperature of 20°C, wind speed 1m/s

	Pmax (Wp)	182.9	186.6	190.4	194.0
Nominal Max Power	Pmax (Wp)	182.9	186.6	190.4	194.0
Voltage at Pmax	Vmp (v)	28.4	28.5	28.6	28.7
Current at Pmax	Imp (A)	6.44	6.55	6.66	6.77
Open Circuit Voltage	Voc (v)	34.9	35.0	35.1	35.1
Short Circuit Current	Isc (A)	6.88	7.00	7.11	7.21

Mechanical Data

Cell Type	Multi-crystalline, 6 inch
Cell Arrangement	60 (6 x 10)
Dimensions	1630 x 982 x 35mm (64.17 x 38.66 x 1.38 in)
Weight	17.7kg (39.0 lbs)
Frame	Anodized aluminum
Front glass	3.2mm Tempered glass
J-Box	IP68, 3 diodes
Output cable	(+)1000mm, (-)1000mm, 12AWG
Connectors	MC4 compatible
Module Fire Performance	Class C, Type 1 & Type 2
Stand. Packaging	27 pcs (vertical)
Module Pieces per Container	756 pcs (40' HQ)

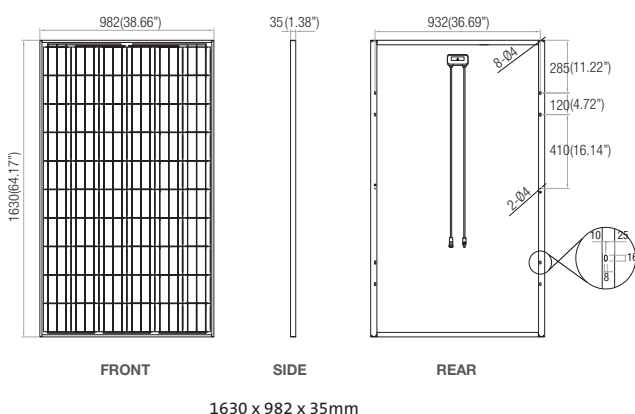
Warranties

Product	10 years
Performance	10 years performance warranty (>90%)
	25 years linear power warranty (>80%)

Temperature Characteristics

Specifications	Data
Temperature coefficient (Pmax)	-0.429
Temperature coefficient (Voc)	-0.307
Temperature coefficient (Isc)	0.022
Normal Operating Cell Temperature	46.0 ± 2°C

MODULE DIAGRAM unit : mm (inch)



I-V Curve according to Irradiance

