



# Triangle / MultiAngle System 10 - 45°



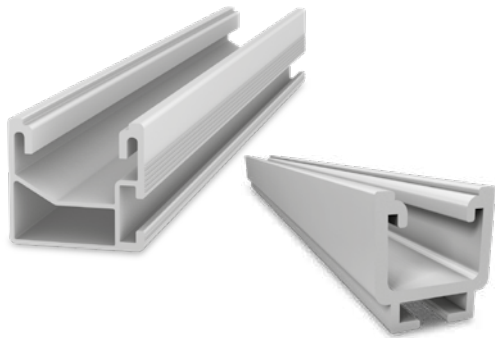
/ Individually customisable elevation angle

/ Universal module orientation

/ High flexibility and customised solutions

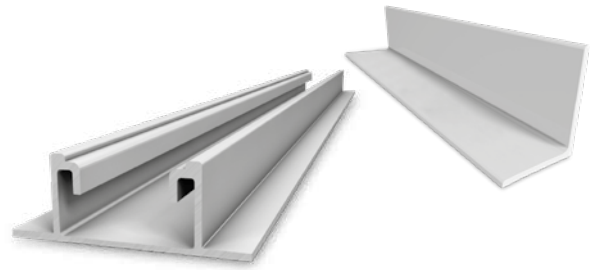


## Components



### Mounting rails

- / Triangle: SolidRail
- / MultiAngle: SingleRail



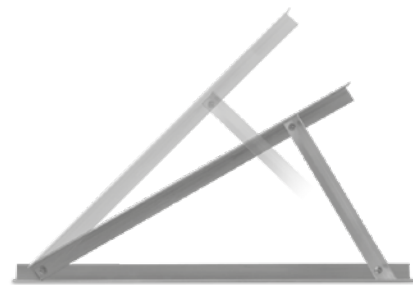
### Base assembly

- / Triangle: L-Profile
- / MultiAngle: SpeedRail or L-Profile



### Module orientation

- / Triangle: Landscape mounting with AddOn
- / MultiAngle: Portrait mounting, 2 heights for landscape mounting (clamps at corners or with AddOn)



### Elevation

- / Triangle: Available with 10 - 45°
- / MultiAngle: Individually customisable, 10 - 45°

## Technical data

	Triangle / MultiAngle
Scope of application	Flat roofs, fields, or ground
Fastening type/roof fixture	Fastening or ballasting
Technical specifications	Thermal separation after max. 13.6 m
Inclination angle	10 - 45°, factory-default, or individually adjustable with MultiAngle
Material	<ul style="list-style-type: none"> <li>• Mounting rails, module clamps: Aluminium [EN AW-6063 T66 / EN AW-6082 T6]</li> <li>• Also suitable for PE plates</li> <li>• Small parts: Stainless steel [1.4301] A2</li> </ul>

