

60 CELL
POLYCRYSTALLINE MODULE

285W-305W
POWER OUTPUT RANGE

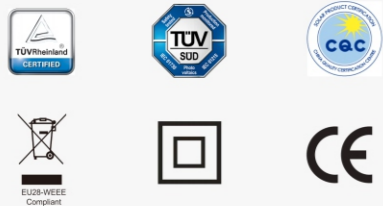
18.28%
MAXIMUM EFFICIENCY

0~+5W
POSITIVE POWER TOLERANCE



ISO9001:2015 Quality management systems
ISO14001:2015 Quality management systems
OHSAS18001:2018 Occupational health and safety management systems

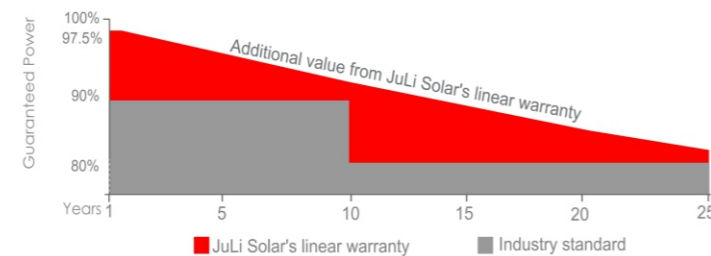
IEC61215, IEC61730, UL1703 certified product



- Ideal for large scale installations**
 - High power footprint reduces installation time & BOS costs
- One of the industry's most trusted modules**
 - Field proven performance
 - Juli NewEnergy's financial solidity consistently confirmed by banks and investors
- Highly reliable due to stringent quality control**
 - Over 30 in-house tests(UV,HF,and many more)
 - In-house testing goes well beyond certification requirements
- Certified to withstand challenging environmental conditions**
 - 2400 Pa wind load
 - 5400 Pa snow load
- High conversion efficiency**
 - Due to top quality wafers
 - Advanced cell technology
- PID and snail trails free**
 - Selected encapsulating material
 - Stringent production process control
- Excellent performance under low irradiance**
 - Special cell process
- Additional yield and easy maintenance**
 - Highly transparent self-cleaning glass

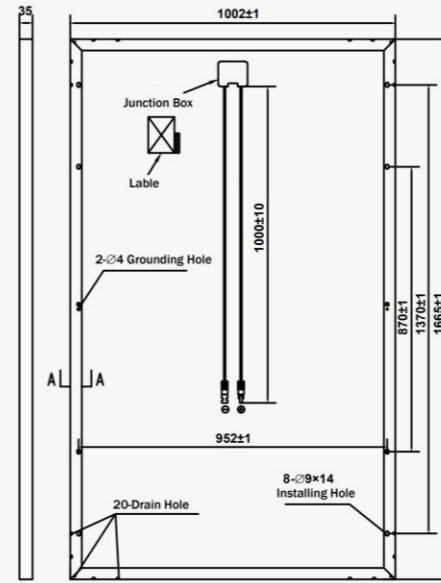
LINEAR PERFORMANCE WARRANTY

- 12-year product warranty
- 25-year linear power output warranty **0.7% Annual Degradation Over 25 years**

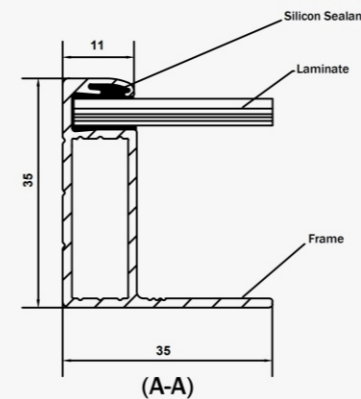


TECHNICAL PARAMETERS

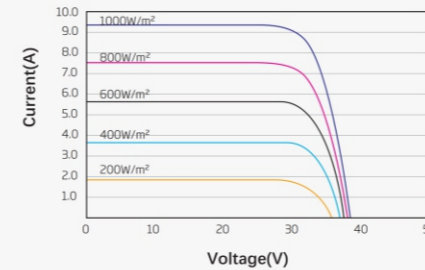
DIMENSIONS OF PV MODULE(mm)



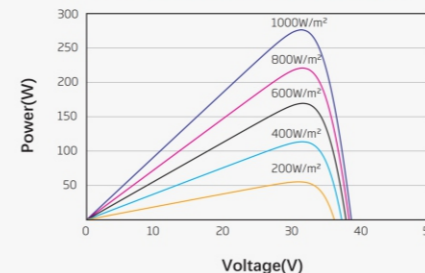
Back View



I-V CURVES OF PV MODULE(285W)



P-V CURVES OF PV MODULE(285W)



MECHANICAL DATA

Module Dimensions	1665 × 1002 × 35mm
Weight	19.0kg
Cell	Polycrystal 158.75mm x 158.75mm
Glass	3.2mm AR tempered
Frame	Anodized aluminum alloy
Junction Box	IP67
Cables	4.0 mm ² , 1000mm (Customized Length)
Connector	MC4 compatible
Wind/Snow Load	2400 Pa /5400 Pa

ELECTRICAL DATA (STC)

Module Type (JLS60PM)	305W	300W	295W	290W	285W
	STC	STC	STC	STC	STC
Peak Power (P _{max})	305W	300W	295W	290W	285W
Open Circuit Voltage (V _{oc})	39.1V	39.0V	38.9V	38.8V	38.7V
Short Circuit Current(I _{sc})	9.90A	9.80A	9.70A	9.60A	9.50A
Maximum Power Voltage(V _{mp})	31.7V	31.6V	31.5V	31.4V	31.3V
Maximum Power Current (I _{mp})	9.63A	9.50A	9.37A	9.24A	9.11A
Module Efficiency	18.28%	17.98%	17.68%	17.38%	17.08%
Power Tolerance	0~+5W				
Maximum System Voltage	DC1000V/DC 1500V				
Max Series Fuse Rating	15A				

STC:Irradiance 1000W/m²,25°C,AM1.5

TEMPERATURE RATINGS

Temperature Coefficient of P _{max}	-0.40%/°C
Temperature Coefficient of V _{oc}	-0.33%/°C
Temperature Coefficient of I _{sc}	0.06%/°C
Operational Temperature	-40~+85°C
NOCT(Nominal Operating Cell Temperature)	45 ± 2°C

PACKAGING CONFIGURATION

Container	20GP	40HQ
Quantity/pallet	30	30
Pallets/container	12	28
Quantity/container	360	924

Specifications are subject to change without prior notice

