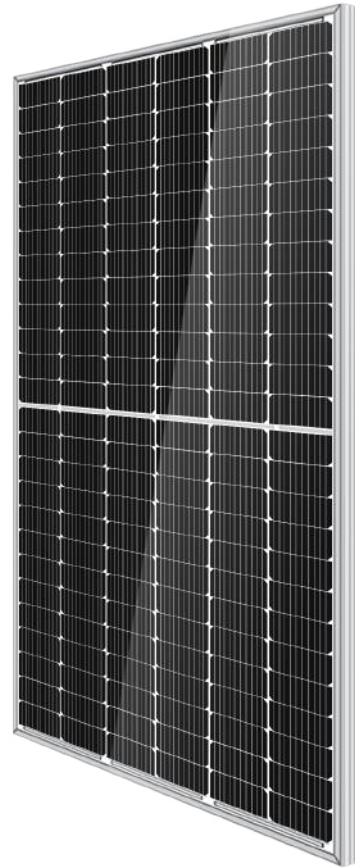


JUSTSOLAR MONO MODULE

JST182*182-M-78-
MH-(580-605)W



High conversion efficiency
High module efficiency to guarantee power output.



Self-cleaning glass
Coating glass for self-cleaning, reduce surface dust.



Outstanding low irradiation performance
Excellent module efficiency even in the weak light conditions, such as morning or cloudy.



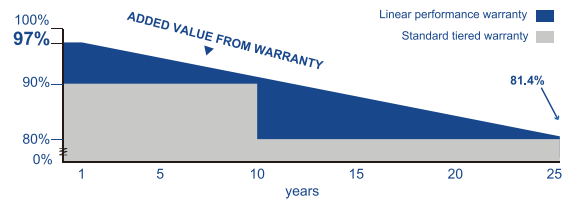
Excellent loading capability
2400Pa wind loads, 5400Pa snow loads.



0 to +5W positive tolerance
Detailed information in Electrical Specifications.



48-hour response service



25

25-year performance warranty

10

10-year warranty on materials and workmanship

IEC 61215 Ed.2
IEC 61730
UL 1703



JUST Solar

ELECTRICAL DATA

Model Type (JST182*182-M-78-MH-***W)	580	585	590	595	600	605
Peak Power (Pmax)	580W	585W	590W	595W	600W	605W
Module Efficiency	20.94%	21.12%	21.30%	21.48%	21.66%	21.84%
Maximum Power Voltage (Vmp)	44.40V	44.60V	44.80V	45.00V	45.20V	45.40V
Maximum Power Current (Imp)	13.07A	13.12A	13.17A	13.22A	13.27A	13.32A
Open Circuit Voltage (Voc)	53.30V	53.50V	53.70V	53.90V	54.10V	54.30V
Short Circuit Current (Isc)	13.81A	13.87A	13.94A	14.01A	14.08A	14.15A
Power Tolerance				0 to +5W		
Maximum System Voltage Nominal				1500V		
Operating Cell Temperature Maximum				41±3°C		
Series Fuse Rating				25A		

MECHANICAL DATA

Cell Type	182mm, Mono
Number of Cells	156(13×6×2)
Weight	31kg
Dimension	2443×1134×35mm
Max Load	5400 Pascals
Junction Box	IP68 rated
Connector	MC4 Compatible
Wire Type	PV Wire

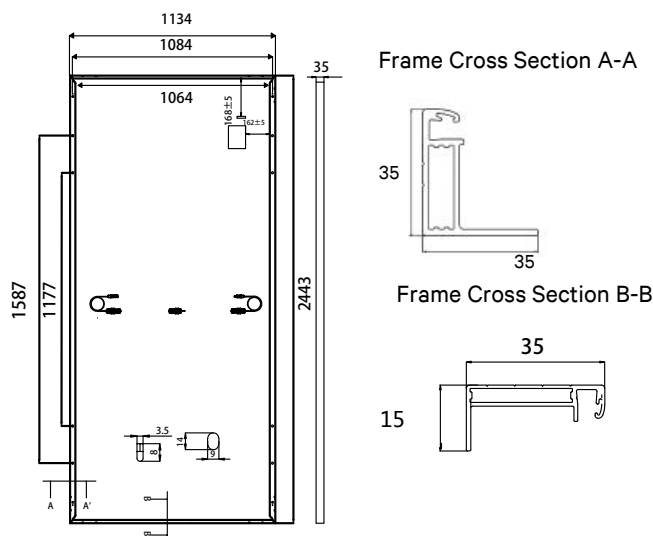
TEMPERATURE CHARACTERISTICS

Temp. Coeff. of Isc (TK Isc)	+0.05% /°C
Temp. Coeff. of Voc (TK Voc)	-0.28% /°C
Temp. Coeff. of Pmax (TK Pmax)	-0.36% /°C

PACKING MANNER

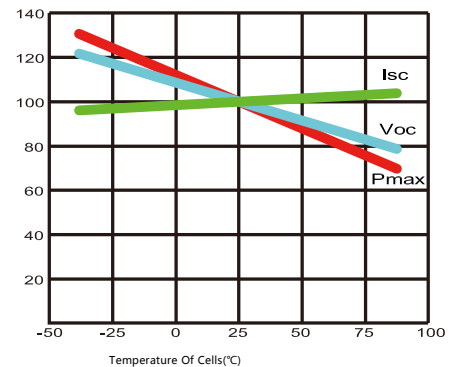
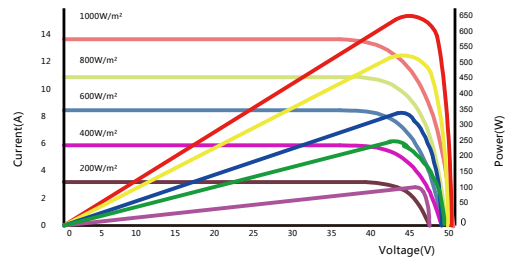
Container	40' HQ
Pieces per Pallet	31
Pieces per Container	558

PHYSICAL CHARACTERISTICS



ELECTRICAL CHARACTERISTICS

JST182*182-M-78-MH-580W



Note: the specifications are obtained under the Standard Test Conditions (STCs): 1000W/m² solar irradiance, 1.5 Air Mass, and cell temperature of 25°C. The NOCT is obtained under the Test Conditions: 800W/m², 20°C ambient temperature, 1m/s wind speed, AM 1.5 spectrum.

Please contact support@jusolar.com for technical support. The actual transactions will be subject to the contracts. This parameters is for reference only and it is not a part of the contracts. The specifications are subject to change without prior notice.