

INE-72P SERIES 6 INCH 72 CELLS

330-350w

PRODUCT CERTIFICATES



KEY FEATURES

0~3%

Output positive tolerance/Guaranteed 0~3% positive tolerance ensures the power output reliability

PERC

Innovative Perc Cell Technology/Outstanding power output performance by perc cell

PID

Anti PID technology/Excellent Anti-PID performance

NEW
-IEC-

Tested and certified according IEC standard /IEC61215/IEC61730 standard quality



Highly reliable due to stringent quality control/Three times strict EL testing beyond certification requirements

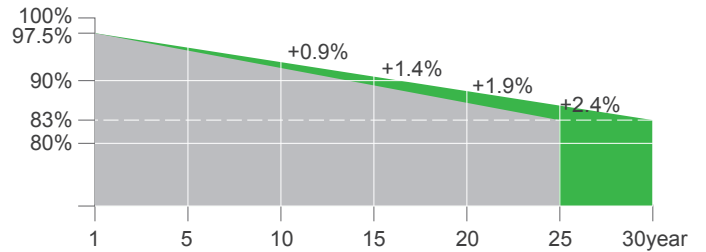


Lower temperature coefficients/Outstanding power output capability at low irradiance

SYSTEM CERTIFICATES

IEC 61215 / IEC 61730
 ISO 9001 : Quality Management System
 ISO 14001 : Environment Mangement System
 OHSAS 18001 : Occupational Health and Safety Management System

WARRANTY



12
years

12-year Warranty for Materials and Processing

30
years

30-year Warranty for Extra Linear Power Output

ELECTRICAL PARAMETERS AT STC

Module Type	INE-330-72P	INE-335-72P	INE-340-72P	INE-345-72P	INE-350-72P
Rated Maximum Power(Pmax) [W]	330	335	340	345	350
Open Circuit Voltage(Voc) [V]	45.91	46.17	46.43	46.70	46.96
Maximum Power Voltage(Vmp) [V]	37.51	37.72	37.93	38.15	38.37
Short Circuit Current(Isc) [A]	9.12	9.20	9.29	9.37	9.45
Maximum Power Current(Imp) [A]	8.80	8.88	8.96	9.04	9.12
Module Efficiency [%]	17.00	17.26	17.52	17.78	18.03

STC: Irradiance 1000 W/m2 module temperature 25°C AM=1.5

ELECTRICAL PARAMETERS AT NOCT

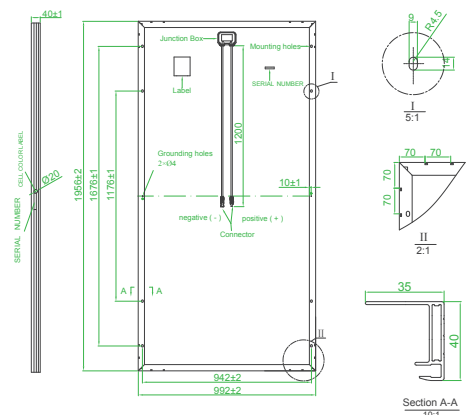
Module Type	INE-330-72P	INE-335-72P	INE-340-72P	INE-345-72P	INE-350-72P
Rated Maximum Power(Pmax) [W]	244	248	252	256	260
Open Circuit Voltage(Voc) [V]	42.45	42.70	42.96	43.22	43.49
Maximum Power Voltage(Vmp) [V]	35.02	35.23	35.44	35.66	35.88
Short Circuit Current(Isc) [A]	7.36	7.43	7.51	7.58	7.65
Maximum Power Current(Imp) [A]	6.97	7.04	7.11	7.18	7.25

NOCT: Irradiance 800 W/m2 ambient temperature 20°C wind speed: 1m/s

MECHANICAL SPECIFICATION

Cell Type	Polycrystalline
Cell Dimensions	156.75*156.75mm(6inch)
Cell Arrangement	72(6*10)
Weight	22.5kg
Module Dimensions	1956*992*40mm
Cable	4.0 mm ² , wire length: 1200 mm or Customized Length
Front Glass	3.2 mm AR coating tempered glass, low iron
Frame	Anodized aluminium alloy
Junction Box	IP67/IP68
Connector	MC4 Compatible
Mechanical Load	Front side 5400Pa/ Rear side 2400Pa

Technical drawing(INE-XXX-72P)

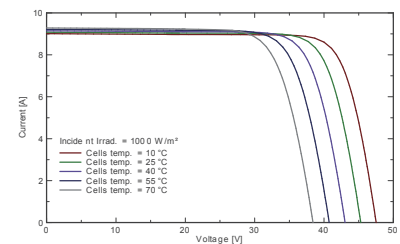
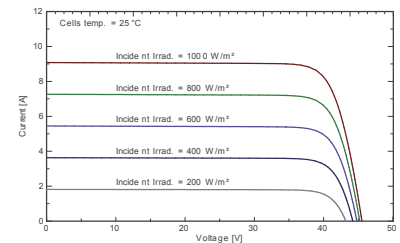


* All Dimensions in mm.
 * The above drawing is a graphical representation of the product.
 For engineering quality drawings please contact IDEAL NEW ENERGY.

OPERATING CONDITIONS

Power Tolerance (W)	(0,+4.99)
Maximum System Voltage (V)	1000VDC / 1500VDC
Pmax Temperature Coefficient	-0.36 %/°C
Voc Temperature Coefficient	-0.28%/°C
Isc Temperature Coefficient	+0.05 %/°C
Nominal Operating Cell Temperature	45±2 °C
Operating Temperature	-40°C-+85°C
Maximum Series Fuse	20A

I-V Curve



PACKING CONFIGURATION

Quantity/Pallet	27pcs/pallet
Pallets/Container	10pallet/20GP; 22pallet/40HQ
Quantity/Container	270pcs/20GP; 696pcs/40HQ