

SOLAR SERVICES

OUR ENGINEERING OFFICE

FREE TRAINING

an assistance offered on our product to launch your first project (either on-site or via skype).

AN IN DEPTH-STUDY OF YOUR PROJECT

our R&D department can offer you a **custom-made product**. Our expert engagement is to make you an offer within 48 hours.

AN OPTIMIZED STUDY

detailed plans are made to answer all projects requirements, our expertise's will ensure our solution is perfectly adapted to the building site constraints and to all regulatory requirements.

A PRIVILEGED ASSISTANCE

Our team provide an assistance through all needed procedures in particular if your project requires some validation by the Inspection office.

THE SOLAR CLUB SERVICE

As a Dome Solar customer, you can access freely, the SOLAR CLUB SERVICE in order to get some added services and many privileges.

NOTA

📍 | Dome Solar - 3 rue Marie Anderson
44 400 Rezé

☎ | Tél. +33 (0)2 40 67 92 92

✉ | info@dome-solar.com

www.dome-solar.com

OUR PARTNERS

ROOF SOLAR PVC

PVC WATERPROOF
MEMBRANE

FLAT ROOFS
RANGE

ROOF-SOLAR BITUMEN

ROOF-SOLAR TILTED BITUMEN

ROOF-SOLAR EPDM

ROOF-SOLAR PVC

ROOF-SOLAR TILTED PVC

ROOF-SOLAR TPO

ROOF-SOLAR TILTED TPO

Document printed in France, with vegetable inks, on paper from sustainably managed forests, by Goubault Impprimeur certified ISO 14 001. DANZÉ®



DOME
SOLAR
PHOTOVOLTAIC MOUNTING SOLUTIONS

THE SOLUTION

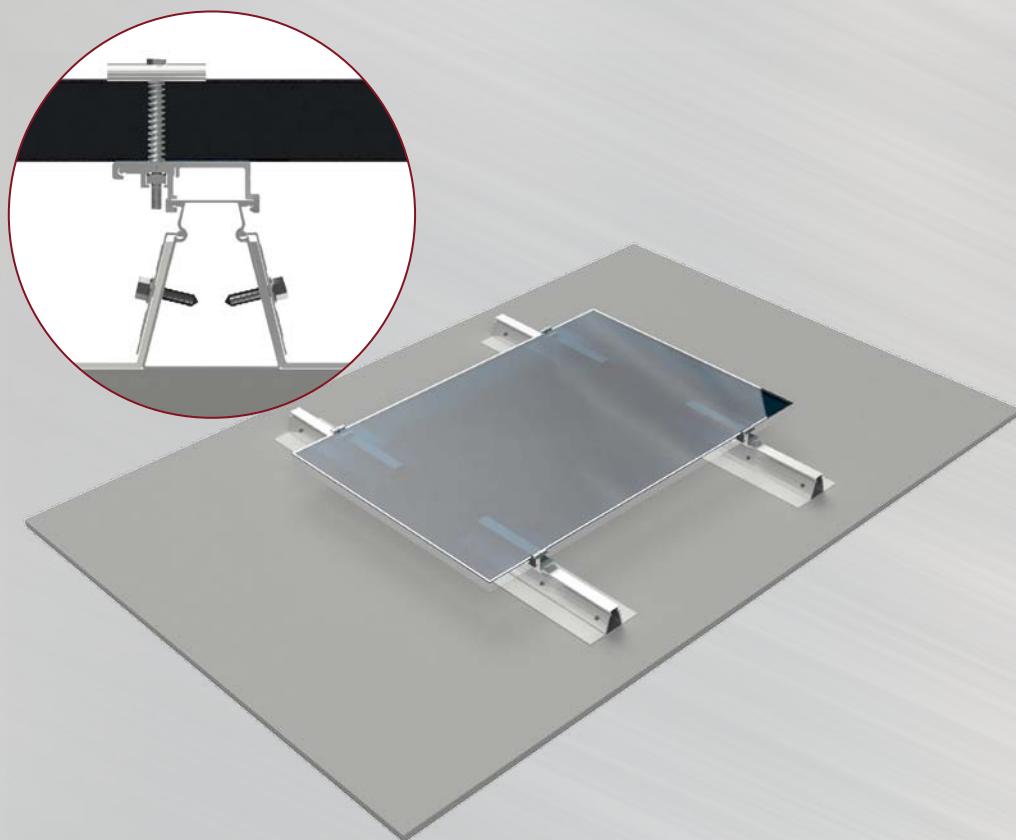
ROOF-SOLAR PVC is a photovoltaic mounting system on a waterproofing synthetic PVC membrane, without drilling of the membrane.

QUALITY

Sturdy and hard-wearing solution manufactured with premium components made of aluminum.

SIMPLICITY

Fast and easy implementation by simply clipping onto the rail and non-perforated fixing of the membrane. Universal fasteners adapt to all types of framed modules.



ROOF SOLAR PVC

TECHNICAL CHARACTERISTICS

USE CONDITIONS

Closed building, new or renovated roof, total or partial covering

TYPE OF SUPPORT

Concrete, ribbed steel sheets, wood
C class compressibility insulation
PVC waterproofing synthetic coating (min. 1.5 mm)

MODULE POSITION

Landscape mode

MATERIALS

Aluminum, stainless steel and PVC

SYSTEM WEIGHT

2 kg/m² excluding the module

SYSTEM COMPONENTS

1.2 m or 0.6 m aluminum rail equipped with support bands, universal and external clamps with an aluminum/stainless steel finish, connector placed at the generator base, cable guide

OPTIONS

Module Grounding Connector, Rail Grounding Connector

ETN

Assessment
of New
Techniques

MADE IN FRANCE

www.dome-solar.com