

Large Scale PV Inverter SOLAR WARE 500

PVL-L0500E

SOLAR WARE 630

PVL-L0630E



The Advanced Multi-level Inverter -56% switching loss reduction

SOLAR WARE 500 / 630 redefines the PV utility scale solar inverter solution in reliability, efficiency and productivity. TMEiC sets the standard of Utility scale installation with its own proprietary and the most advanced multi-level inverter system by reducing the switching loss by 56%.

Featuring compact footprint

With this advanced inverter design, the size has also been significantly reduced, achieving the smallest 500 / 630kW inverter.



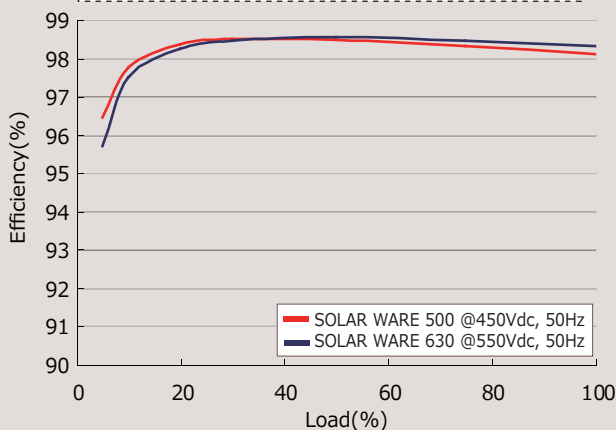
Grid connection Features

TMEiC has long history working with Japanese power companies and have developed the grid connection features together. All of TMEiC's utility scale inverters come with latest interconnection technology enhanced by most skilled engineers and scientists.

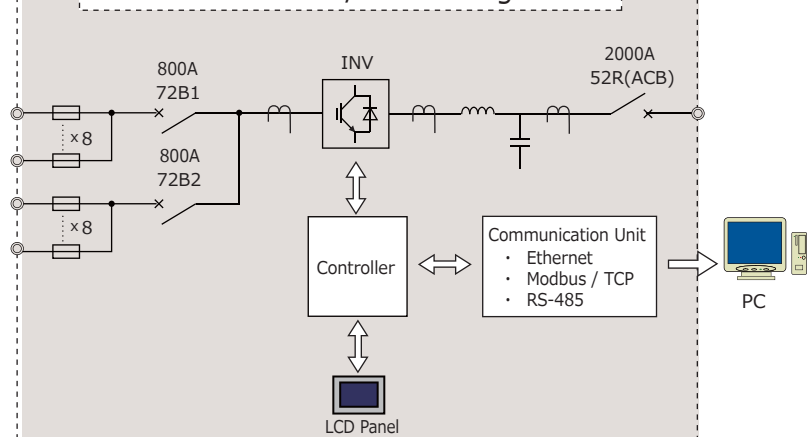
The features include:

- Power factor control
- Reactive / Active power control
- Fault ride through
 - Voltage ride through (Low voltage ride through)
 - Frequency ride through
- TMEiC's proprietary Anti-islanding technique:
 - Slip mode frequency shift method

SOLAR WARE 500 / 630 Performance



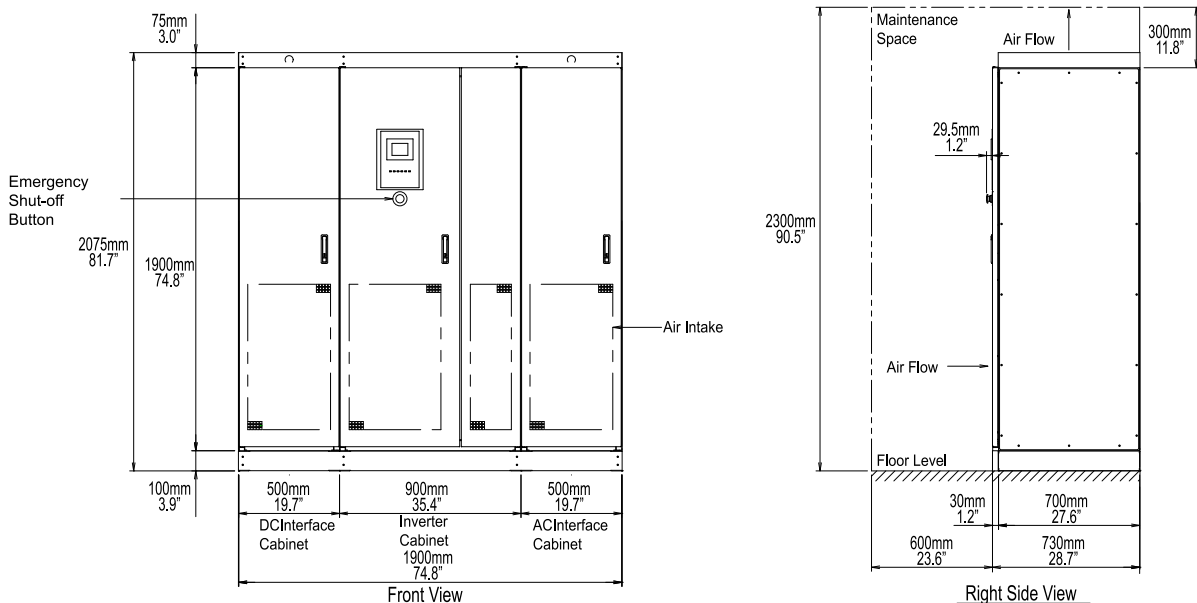
SOLAR WARE 500 / 630 Configuration



SPECIFICATIONS

Type		PVL-L0500E	PVL-L0630E
Input Side (DC)	Maximum DC Power	612kW	714kW
	Maximum DC Voltage	1000V	1000V
	MPPT Operating Range	550V - 950V	550V - 950V
	Rated DC Voltage	650V	650V
	Maximum DC Current	1113A	1299A
	Number of Inputs	16	16
Output Side (AC)	Rated AC Power	500kW	630kW
	Maximum AC Power	600kW	700kW
	Rated AC Voltage	380V	380V
	Rated AC Current	962A	957A
	Rated Frequency	50Hz	
	Number of Phases	3Phase 3Wire	
	Rated Power Factor	Over 0.99	
	Harmonic Distortion	Total Harmonic Distortion: below 5%, Each Component: below 3%	
Efficiency	Maximum Efficiency	98.6%	98.6%
	European Efficiency	98.3%	98.3%
General	Dimensions (HxWxD)	2075mm x 1900mm x 700mm	
	Weight	1300kg	
	Communications	Ethernet (Option: Modbus/TCP, RS-485)	
	Cooling Method	Forced Air Cooling	
	Enclosure Protection Ratings	IP20 (Indoors)	
	Ambient Temperature	-20°C ~ 50°C	
	Relative Humidity	15% ~ 95% (no condensating)	
	Maximum Altitude	2000m	
	External Power Supply	Cooling Fan: AC210V-1Φ 700VA	
		Control System: AC210V-1Φ 300VA	
Standby Consumptions	70W		
Standards Compliance	Low-voltage Directive	2006/95/EC(EN50178)	
	EMC Directive	2004/108/EC(EN61000-6-2, EN55011)	
	CE Mark	Certified	Certified
	IEEE 1547	Compliance	Attestation
	CQC	Certified	Certified

DIMENSIONS



TOSHIBA MITSUBISHI-ELECTRIC INDUSTRIAL SYSTEMS CORPORATION

New Energy & Environmental Business Division Marketing Team 5

TOKYO SQUARE GARDEN, 3-1-1 Kyobashi, Chuo-ku, Tokyo 104-0031, Japan

Email: info-pv@tmeic.co.jp

Tel.: +81-3-3277-4491 Fax: +81-3-3277-4565 URL: www.tmeic.co.jp/global/

TMEiC

Specifications subject to change without notice

C-0039-1404-E(**)