



POLY SOLAR MODULE 156' 250W

PRODUCT SPECIFICATION

Type of Module	ksun-250w
Maximum Power (W)	250
Tolerance (%)	± 3%
Open Circuit Voltage (V)	34.1
Short Circuit Current (A)	9.19
Maximum Power Voltage (V)	28.4
Maximum Power Current (A)	8.8
Module Efficiency (%)	17
Solar Cell Efficiency (%)	19
Series Fuse Rating (A)	15
Terminal Box	IP65
Maximum system voltage (V)	DC1000
Operating Temperature(°C)	-40°C -- 85°C



PRODUCT FEATURE

- Bypass diode minimizes the power drop by shade.
- The conversion efficiency of solar cell is above 19%.
- White tempered glass ,EVA resin,weather proof film and anodized aluminum frame to provide efficient protection from the severest environmental conditions.
- Waterproof.Perfect for grid applications.
- Product guarantee 10 years.

Quality Assurance

- Electrical Insulation test
- Outdoor exposure test
- Hot-spot endurance test
- UV-exposure
- Thermal cycling test
- Humidity freeze test
- Damp heat Test
- Robustness of terminations test
- Wet leakage current test
- Mechanical load test
- Hail impact test
- Bypass diode thermal test

Electric Performance Typical Performance Characteristics

Short Circuit Current Temperature Coefficient	%/°C	0.06
Open Circuit Voltage Temperature Coefficient	%/°C	-0.34
Maximum Power Temperature Coefficient	%/°C	-0.47
Performance Warranty : 90%output , 12 years		
80%output , 25 years		

Physical Specifications

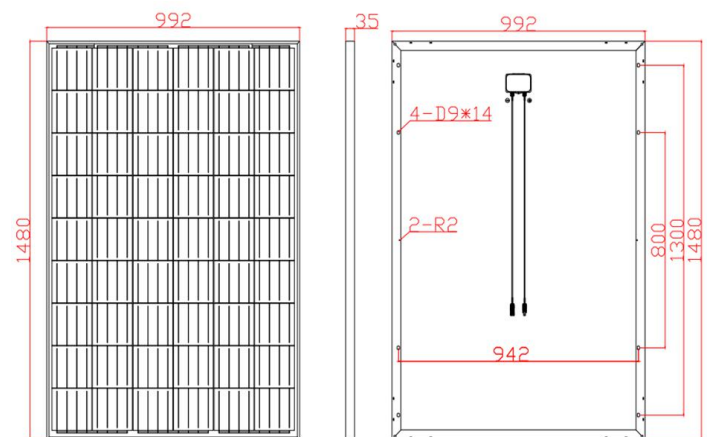
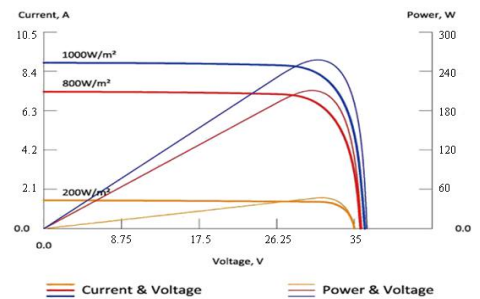
Dimension: 1480*992*35MM

Weight: 15KG/PCS

Packing : 31 pcs in one carton

Electrical Characteristics

Current-Voltage & Power-Voltage characteristics various irradiance levels



SHENZHEN KHK COMMERCIAL COMPANY LIMITED.

Address2: Bldg 11,Asia Industry park .No.
18,fengmengRD.Gantou,Bantian,Shenzhen,China
TEL: 008613510106017
Email:angel@khksolar.com
Web:www.khksolar.com