

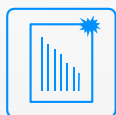


SOLIBRO SL2-F CIGS Thin Film Solar Panel | 125 -145 Wp



More power generation

Maximum additional power (+ 5 W)
Low temperature coefficient of 0.32% / K



Beautiful and elegant appearance

Homogeneous black surface
Ideal product for photovoltaic solutions with high vision requirements



Framed laminate

Easy to install and especially in small roof systems
It is highly stable



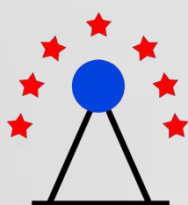
Quality control

Module 100% through the solar cell module defect detection (EL), to ensure the production process
Longer and more stringent tests than IEC 61646



Certificates

ISO 9001/ISO 14001
CE



 Beijing Chengchuang Kexing Technology Co.,Ltd
 No5, Dong Fang Yao Road, Fangshan District, Beijing, China
 sales.manager@ccxg.com.cn
 <https://cckx.en.alibaba.com/>
 www.facebook.com/kexingtechnology
 mobil/whatsapp +86-15601205921 Sunny Sun



Alibaba

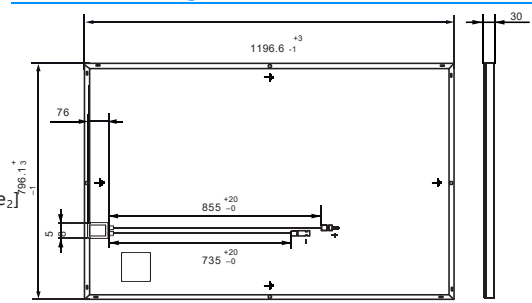


Facebook

Mechanical Specifications

length	1196.6 (+3/- 1) mm
Width	79.1 (+3/-1) mm
Height	30 mm
Weight	18.0 kg
Front	4 mm tempered glass (ESG) with anti reflection coating
Back	3 mm Float glass
Frame	Black aluminum frame
Cell type	Copper indium gallium selenium CIGS [Cu (In, Ga) Se ₂]
Junction box	IP 67 with 1 bypass diode; 76 mm x 58 mm x 15,5 mm
Cable type	2.5 mm ² solar cable (+) 855 (+20/-0) mm; (-) 735 (+20/-0) mm
Cable connector	Renhe 05-6

Technical Drawings



Electrical Characteristic Parameters

STC testing conditions (1000 W/m², 25°C, AM 1.5 G spectrum)¹

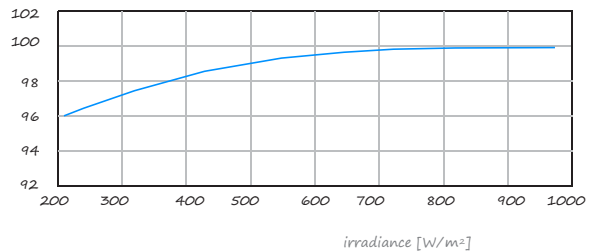
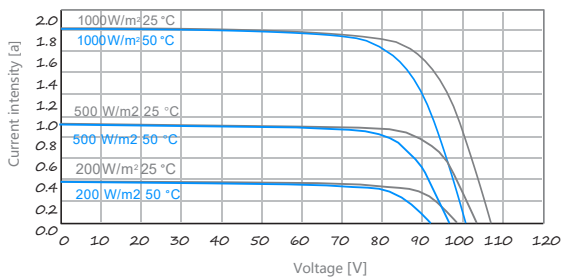
			125	130	135	140	145
Power (+5/- 0 W)		[W]	125	130	135	140	145
Min Power	P _{MPP}	[W]	125.0	130.0	135.0	140.0	145.0
short-circuit current	I _{SC}	[A]	1.73	1.75	1.77	1.79	1.81
Open circuit voltage	V	[V]	103.4	104.5	105.6	106.7	107.8
Current at PMPP	I _{MPP}	[A]	1.50	1.54	1.58	1.62	1.66
Voltage at PMPP	V _{MPP}	[V]	83.4	84.5	85.5	86.5	87.4
Rated conversion efficiency		[%]	≥13.1	≥13.6	≥14.2	≥14.7	≥15.2

Rating of components at rated operating temperature (800 W/m², NMOT, AM 1.5 G spectrum)¹

			125	130	135	140	145
Power (+5/- 0 W)		[W]	125	130	135	140	145
Min Power	P _{MPP}	[W]	94.2	97.9	101.6	105.4	109.3
short-circuit current	I _{SC}	[A]	1.39	1.40	1.42	1.44	1.45
Open circuit voltage	V _{OC}	[V]	97.8	98.9	100.1	101.2	102.3
Current at PMPP	I _{MPP}	[A]	1.20	1.23	1.26	1.29	1.32
Voltage at PMPP	V _{MPP}	[V]	78.5	79.6	80.6	81.7	82.8

¹ Measurement tolerance PMPP ± 5%; tolerance ISC, VOC, IMPP, vmpp ± 10%. All STC tests are based on component pre-treatment: 20 kWh / M ~ 2 illumination (i.e. illumination at 1000 W / M ~ 2 and maximum power point for 20 hours) followed by cooling to 25 °C

Current voltage characteristic curve values at different temperatures and irradiation intensities performance under low irradiance



Temperature coefficient at 1000 W / m²

P _{MPP} γ [%/K] - 0.32	I _{SC} α [%/K] + 0.01	V _{OC} β [%/K] - 0.27
---------------------------------	--------------------------------	--------------------------------

NMOT

Rated operating temperature of components [°C] 42

System integration characteristic parameters

Max system voltage V _{sys}	[V]	1000 (IEC) / 600 (UL 1703)	Protection level	II
Max reverse current I _r	[A]	4	Fire rating	C
Pressure design load (IEC 61215-2)	[Pa]	Max 3600*	Continuous operation	-40°C to +85°C

Packing Information

External dimension (including pallet)	L 1,313 mm × W 1,131 mm × H 996 mm
Total weight (full)	585 kg
Stackability in warehouse	2+ 1 (3 pcs overlap)
Number of components in each package	30
Maximum loading of 24 ton truck	40cartons, Volume limitation (2 × 10 + 2 × 10)
Max loading capacity of a 24 ton 40 inch high container	34cartons, Volume limitation (2 × 9 + 2 × 8)

Tips!

The terms of the installation instructions must be observed. Please refer to the installation and operating instructions for more information about the product license, or consult your technical service personnel.