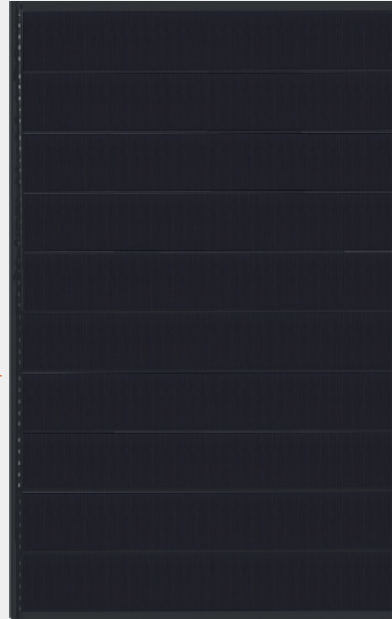




# BSM410PM5-60SB

**Shingled**  
**385-410W**



**YOUR  
BEST  
PV  
SUPPLIER**

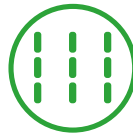
**410W**  
Maximum Power Output

**20.9%**  
Maximum Module Efficiency

**0~+5W**  
Power Output Guarantee



Ideal choice for large scale ground installation



Shingled cells use flexible adhesives instead of metal alloys to achieve interconnections between the cells, which has better flexibility



Selected encapsulating material and stringent production process control ensure the product is highly PID resistant and snail trails free



Lower LID due to lower oxygen and carbon content



Special cell process ensures great performance under low irradiance conditions

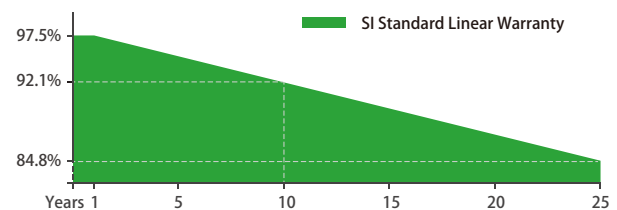


Provides higher module efficiency under low irradiance conditions, and achieves greater installation capacity in a limited space.

## Key features

- World-class manufacturer of crystalline silicon photovoltaic modules
- Fully automatic facility and world-class technology
- Rigorous quality control to meet the highest standard: ISO9001:2015, ISO14001: 2015 and OHSAS: 18001 2007
- Tested for harsh environments (salt mist, ammonia corrosion and sand blowing test: IEC 61701, IEC 62716, DIN EN 60068-2- 68)
- Long term reliability tests
- 2×100% EL inspection ensuring defect-free modules

## Linear Performance Warranty



15 Years Product Warranty 25 Years Linear Power Warranty

\* Please refer to Bluesun standard warranty for details

Certificate



+86-158-5821-3997



info@bluesunpv.com



+86-551-6520-3660



1499 Zhenxing Road, Shushan District, 230031 Hefei, China

www.bluesunpv.com





## ELECTRICAL PARAMETERS AT STC

Model	BSM385PM5-60SB	BSM390PM5-60SB	BSM395PM5-60SB	BSM400PM5-60SB	BSM405PM5-60SB	BSM410PM5-60SB
Max Power(Pmax) [W]	385	390	395	400	405	410
Open Circuit Voltage(Voc) [V]	46.2	46.3	46.3	46.4	46.5	46.6
Short Circuit Current(Isc) [A]	10.82	10.87	10.92	10.97	11.02	11.07
Max Power Voltage(Vmp) [V]	38.4	38.5	38.5	38.6	38.7	38.8
Max Power Current(Imp) [A]	10.03	10.13	10.26	10.36	10.47	10.57
Module Efficiency [%]	19.6	19.9	20.2	20.4	20.7	20.9
Power Tolerance	0-5W					
Max System Voltage	1000V/1500V/DC(IEC)					
Max Series Fuse Rating	20A					
Operating Temperature	-40 °C to +85 °C					
STC	Irradiance 1000W/m <sup>2</sup> , cell temperature 25 °C, AM1.5G					

\*For mechanical loading performance: front side maximum static loading 5400Pa, rear side maximum static loading 2400Pa; hailstone test: 25mm hailstone at the speed of 23m/s

## NMOT

Model Number	BSM385PM5-60SB	BSM390PM5-60SB	BSM395PM5-60SB	BSM400PM5-60SB	BSM405PM5-60SB	BSM410PM5-60SB
Max Power(Pmax) [W]	290	294	297	301	305	309
Open Circuit Voltage (Voc)	44.0	44.1	44.1	44.2	44.3	44.4
Short Circuit Current (Isc)	8.73	8.77	8.81	8.85	8.89	8.93
Maximum Power Voltage (Vmp)	36.6	36.7	36.7	36.8	36.9	37.0
Maximum Circuit Current (Imp)	7.92	8.00	8.10	8.18	8.27	8.35
NMOT	42.3 °C (±2 °C)					

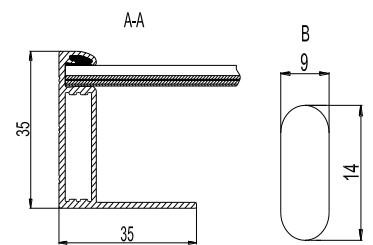
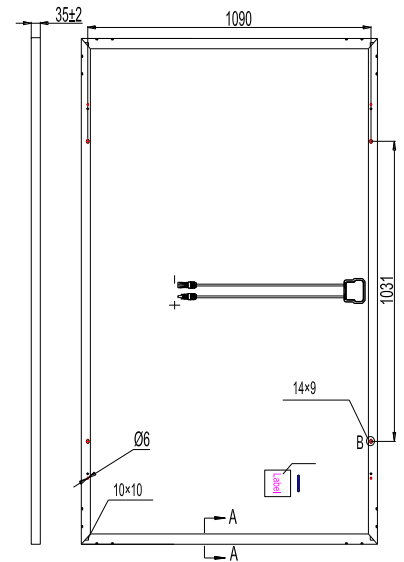
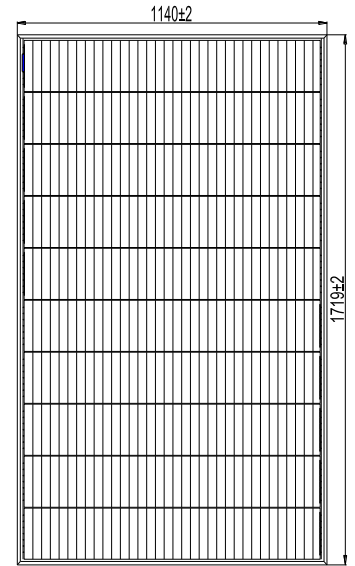
\*Irradiance 800 W/m<sup>2</sup>, ambient temperature 20 °C, wind speed 1m/s

## Mechanical Characteristics

Solar Cells	Mono Perc 166mmx166mm
Dimensions	1719*1140*35mm
Weight	22kg
Front Load	5400Pa
Connector Type	PV Connector
Junction Box	Rated Current:20A, IP67
Cables	4mm <sup>2</sup> (IEC)
Glass	3.2mm White Toughened Safety Glass
Frame	Anodized Aluminium Alloy
Withstanding Hail	Maximum diameter of 25 mm with impact speed of 23 m·s <sup>-1</sup>
Packing	31pcs/box;806pcs/40'container;1240pcs/flat car

## Temperature Characteristics

Temperature Coefficient of Pmax	γ (Pm)	-0.34%/ °C
Temperature Coefficient of Voc	β (Voc)	-0.27%/ °C
Temperature Coefficient of Isc	α (Isc)	0.04%/ °C



## I-V Curves

Current-Voltage Curve (BSM410PM5-60SB)

