

## Half Cell Full Black Mono Solar Module

M10/182 Cell Series  
390~410W

- FDS-M10-54-390BL
- FDS-M10-54-395BL
- FDS-M10-54-400BL
- FDS-M10-54-405BL
- FDS-M10-54-410BL

IEC61215/IEC61730

ISO9001:Quality Management System ISO14001:Environmental Management System

ISO45001:Occupational Health and Safety Management System



PID Resistance



Higher Power Output



9 Bus Bar Half Cut Cell  
With PERC Technology



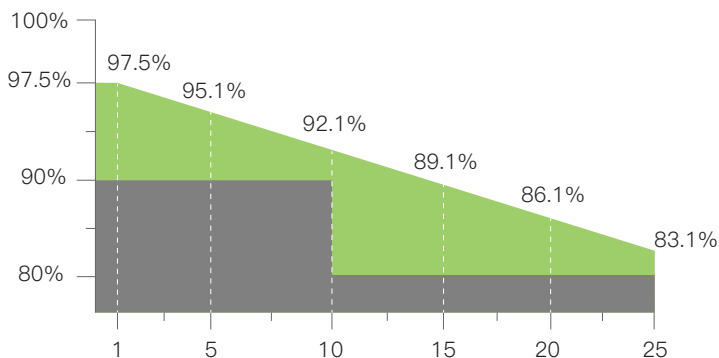
Strengthened Mechanical  
Support 5400 Pa Snow  
Load, 2400 Pa Wind Load



0~+5W Positive Tolerance



Combined With The Roof  
For A Better Visual  
Appearance



Additional value from FTS linear warranty

- 25 year linear performance warranty from FTS
- Standard performance warranty

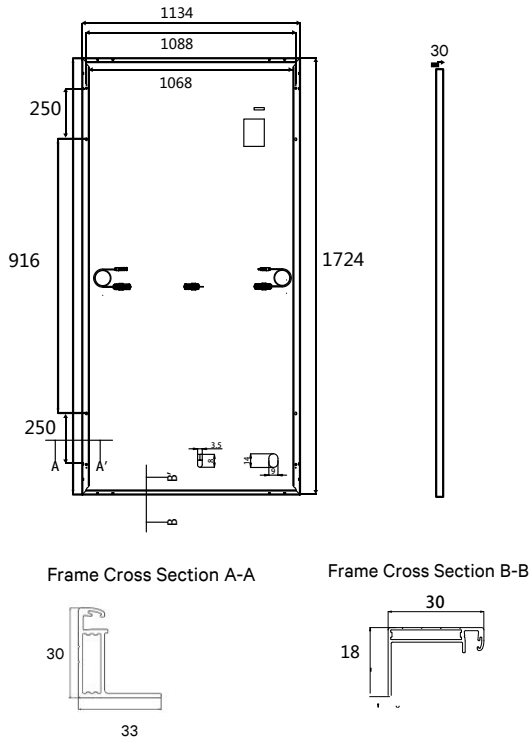
# M10/182 Half Cell(2x54) Full Black Mono Solar Module

Module Type		FDS-M10-54-390BL		FDS-M10-54-395BL		FDS-M10-54-400BL		FDS-M10-54-405BL		FDS-M10-54-410BL	
Test Environment		STC	NOCT	STC	NOCT	STC	NOCT	STC	NOCT	STC	NOCT
Tolerance	(W)	0~+5									
Module Efficiency	(%)	19.95		20.24		20.46		20.72		20.97	
Maximum Power	Pmax(W)	390	287	395	291	400	295	405	298	410	302
Open Circuit Voltage	Voc(V)	36.54	34.09	36.74	34.29	36.94	34.49	37.14	34.69	37.34	34.89
Short Circuit Current	Isc(A)	13.50	10.60	13.55	10.65	13.60	10.7	13.65	10.75	13.70	10.8
Maximum Power Voltage	Vm(V)	30.42	28.38	30.62	28.58	30.82	28.78	31.02	28.98	31.22	29.18
Maximum Power Current	Im(A)	12.82	10.11	12.88	10.18	12.94	10.28	13.00	10.28	13.06	10.35
Cell Type	(mm)	182×91(9BB Mono-Crystalline Silicon)									
Number of Cells	(Pcs)	108(2×54)									
Maximum System Voltage	(V)	DC1000/DC1500									
Temp. Coeff. of Voc	(%/°C)	-0.282									
Temp. Coeff. of Isc	(%/°C)	0.041									
Temp. Coeff. of Pm	(%/°C)	-0.387									
Operating Temperature	°C	-40 to 85									
Nominal Operating Cell Temperature (NOCT)	°C	45±2									
Max. Series Fuse	(A)	15/20									
Pressure Bearing	(Pa)	5400									
Wind Bearing	(Pa)	2400									

STC: Irradiance 1000W/m<sup>2</sup>, Cell temperature 25°C, AM1.5

NOCT: Irradiance 800W/m<sup>2</sup>, Ambient temperature 20°C, Wind speed 1m/s

## ENGINEERING DRAWINGS

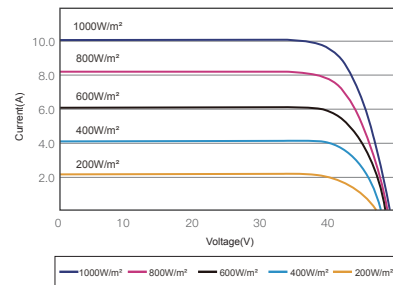


Manufactured in China

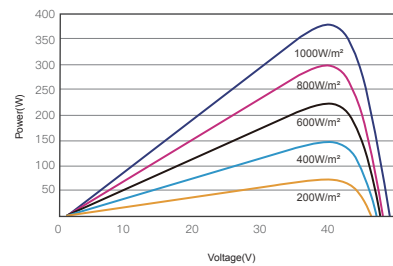
## MATERIAL DETAILS

Frame	Anodized aluminum
Glass	3.2mm low-iron tempered suede glass
Cell	2×54pcs 182 x91mm mono solar cell Rated
Junction Box	Current ≥ 15A, IP ≥ 68, TÜV & UL
Diode quantity	3
Cable&Connector	4mm <sup>2</sup> , MC4 or MC4 compatible 4mm <sup>2</sup> , EVO2 or EVO2 compatible
Cable length	350mm or as customer's requirements

## IV CURVES



I-V CURVES OF PV MODULE(390W)



P-V CURVES OF PV MODULE(390W)

## PACKING DETAILS

Dimension	(mm)	1724×1134×30
Weight	(kg)	21.5
Loading Capacity	936 pcs / 40'HC	
Packing	pcs/pallet	36