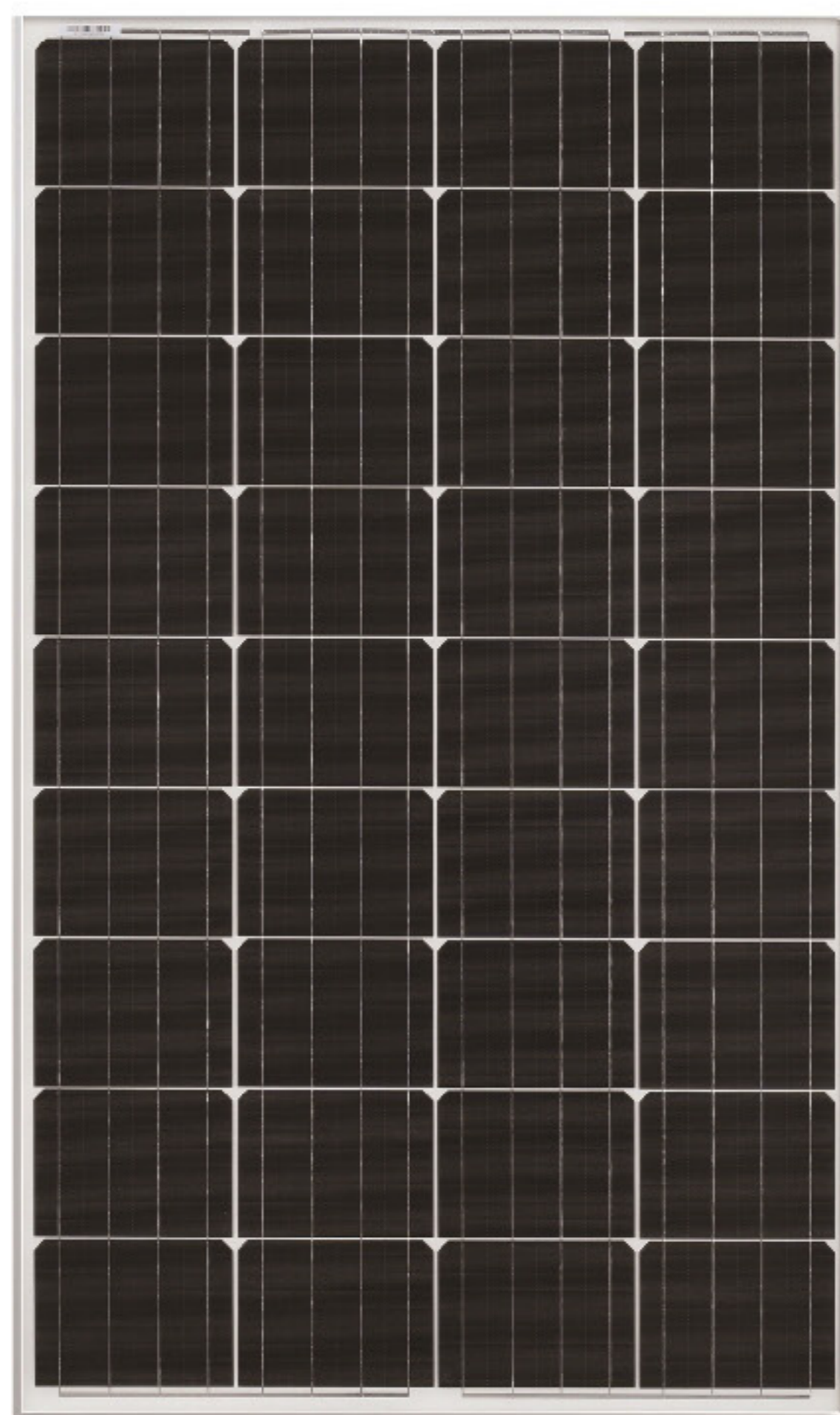


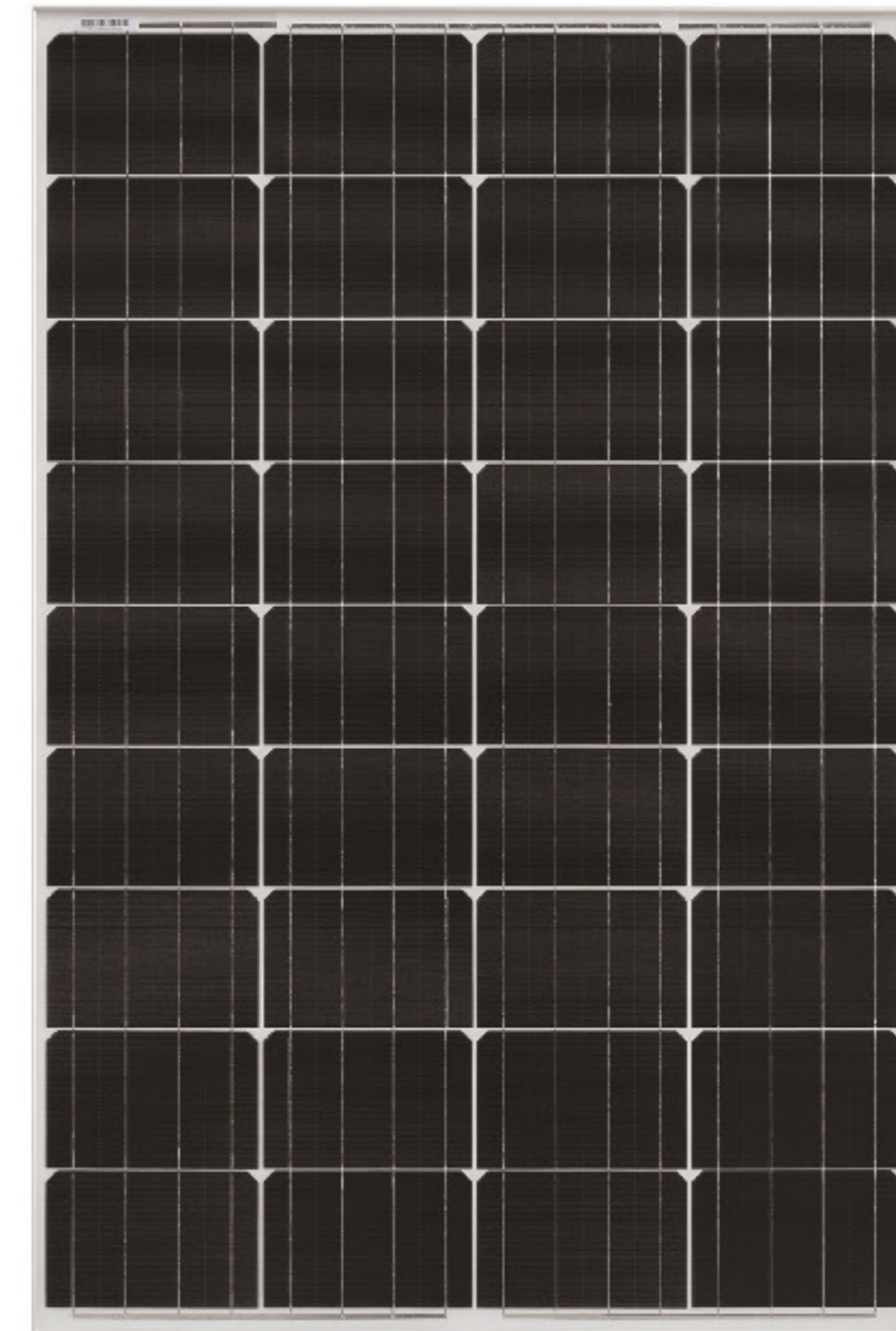
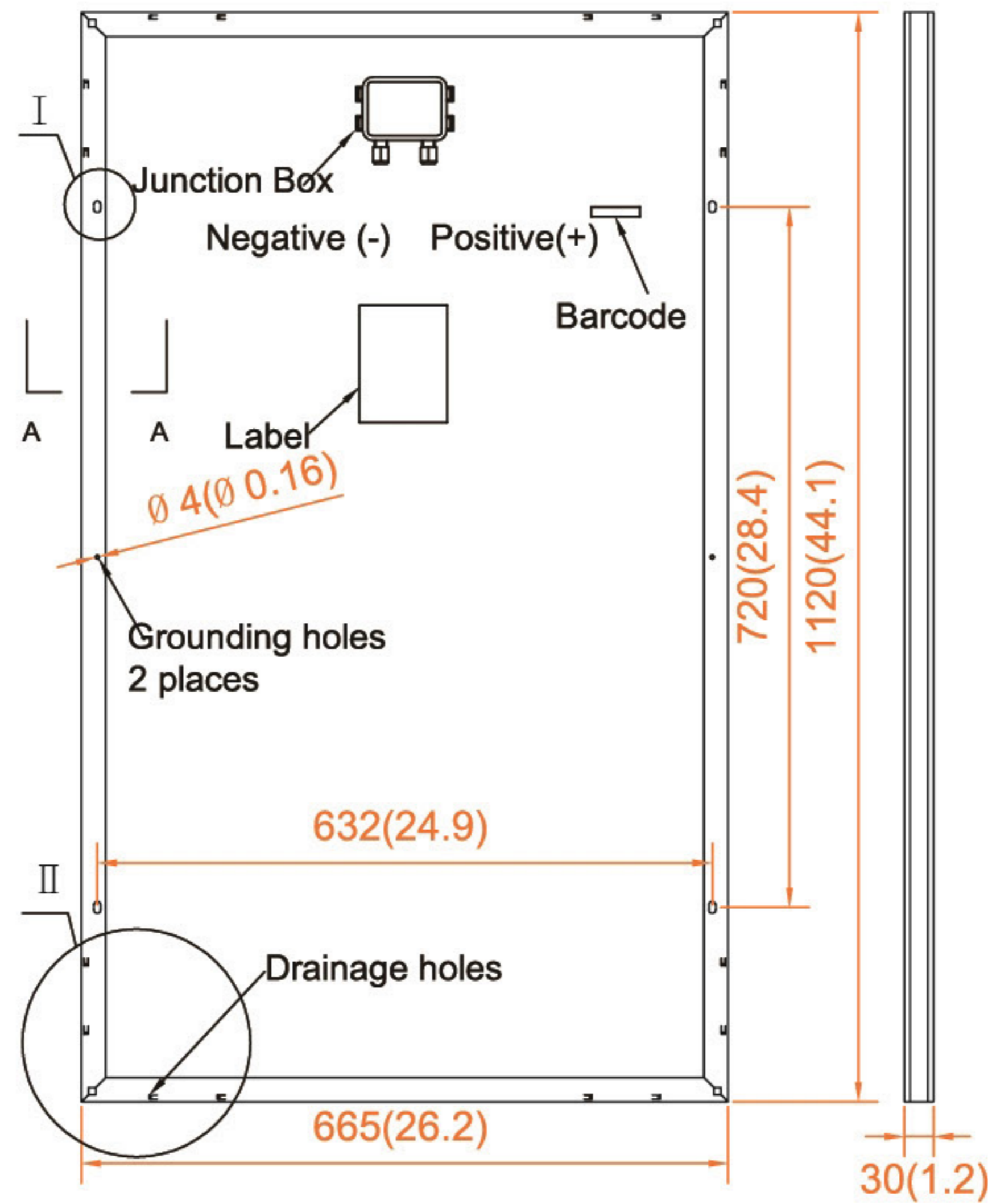
# 75~130 Watt



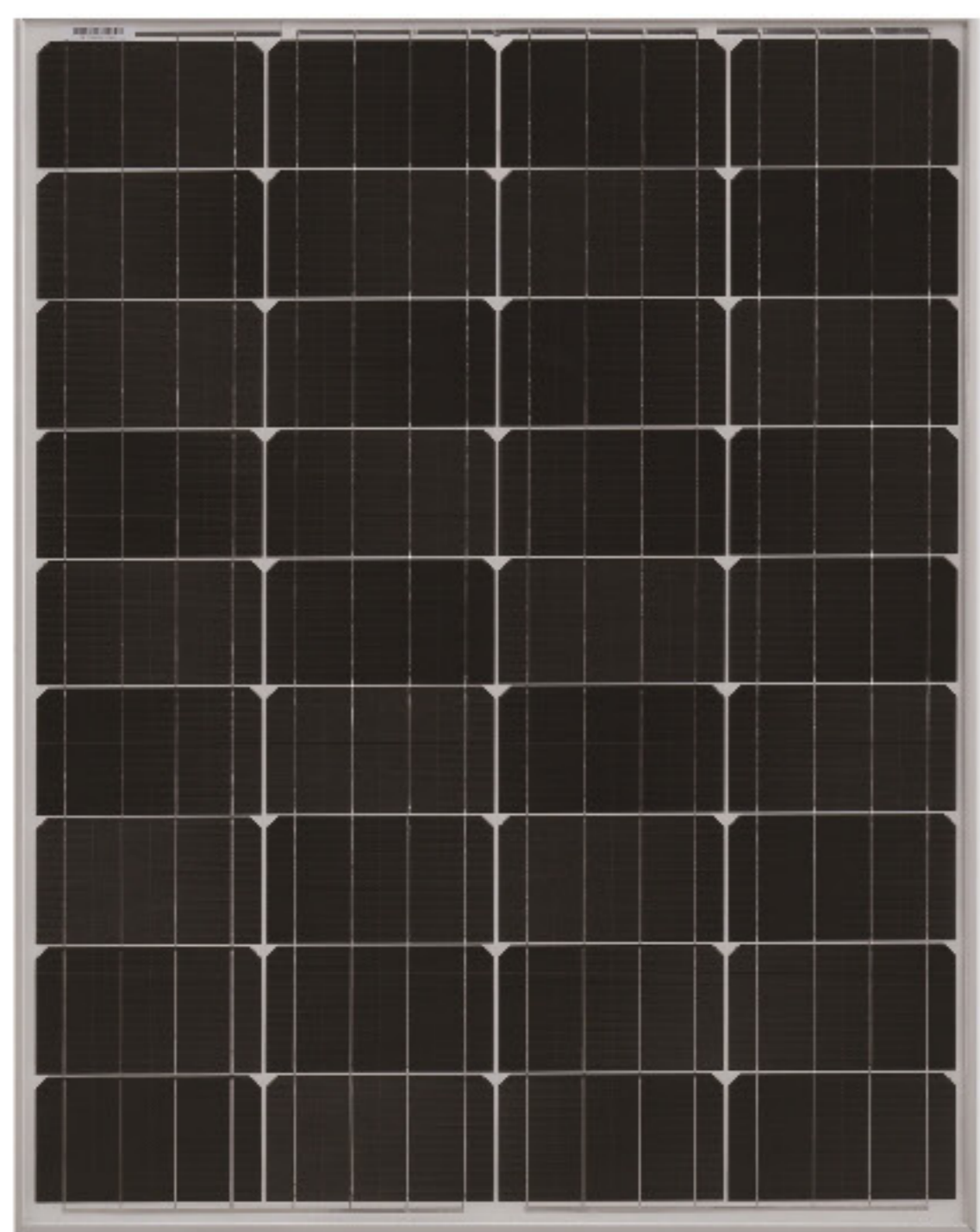
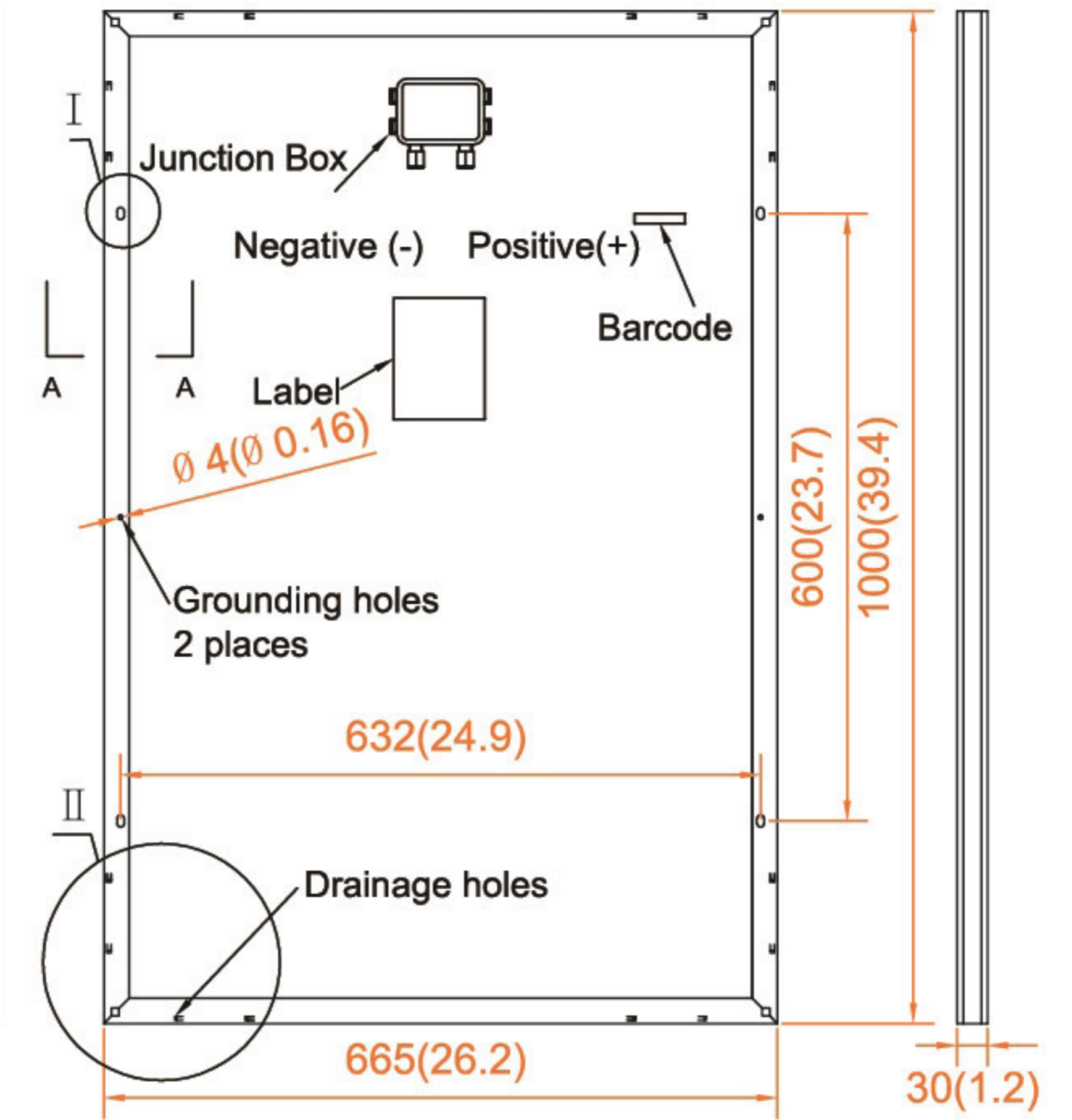
\*BLACK FRAME/BLACK BACK-SHEET PRODUCTS ARE AVAILABLE UPON REQUEST



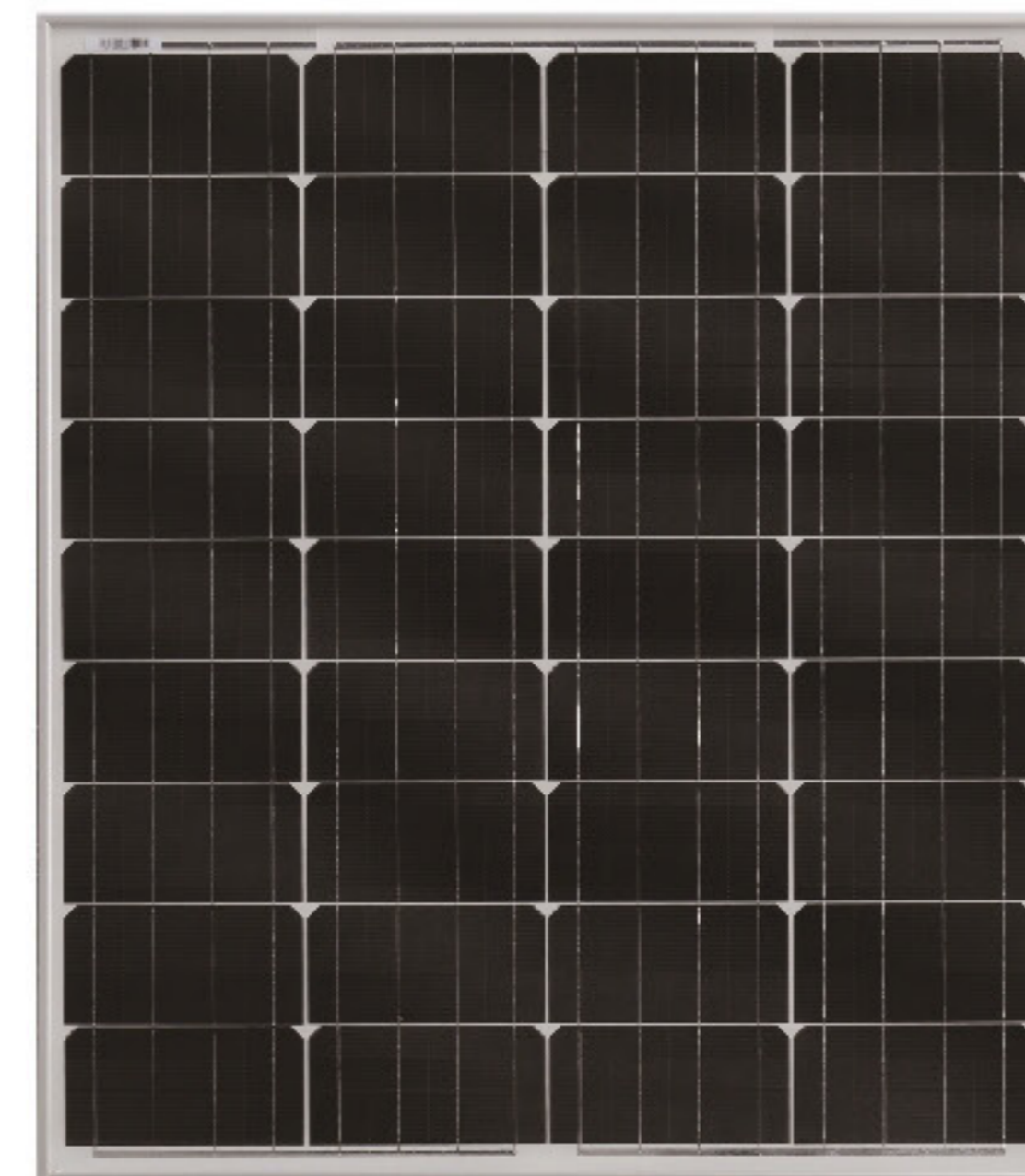
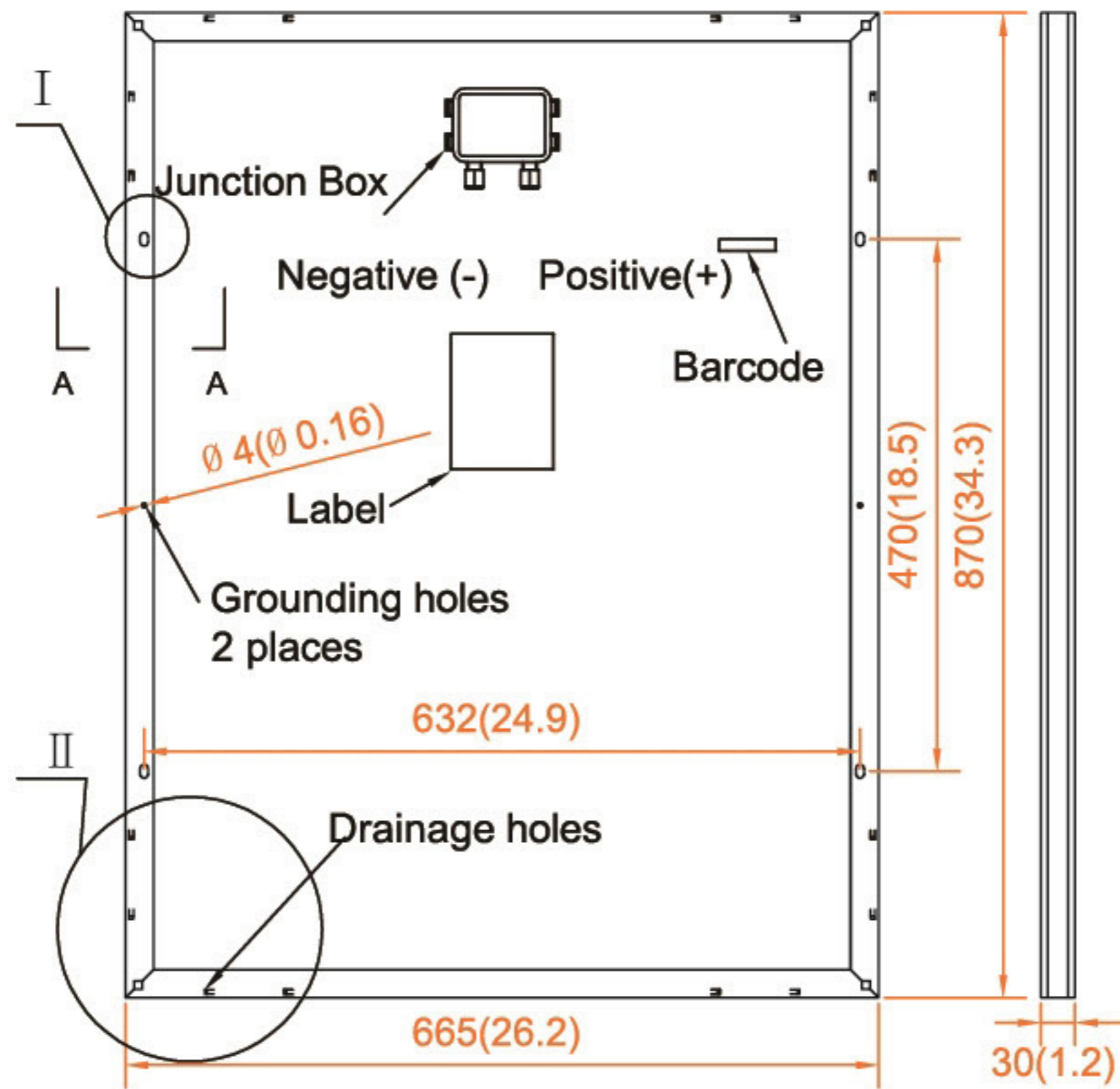
115W-130W



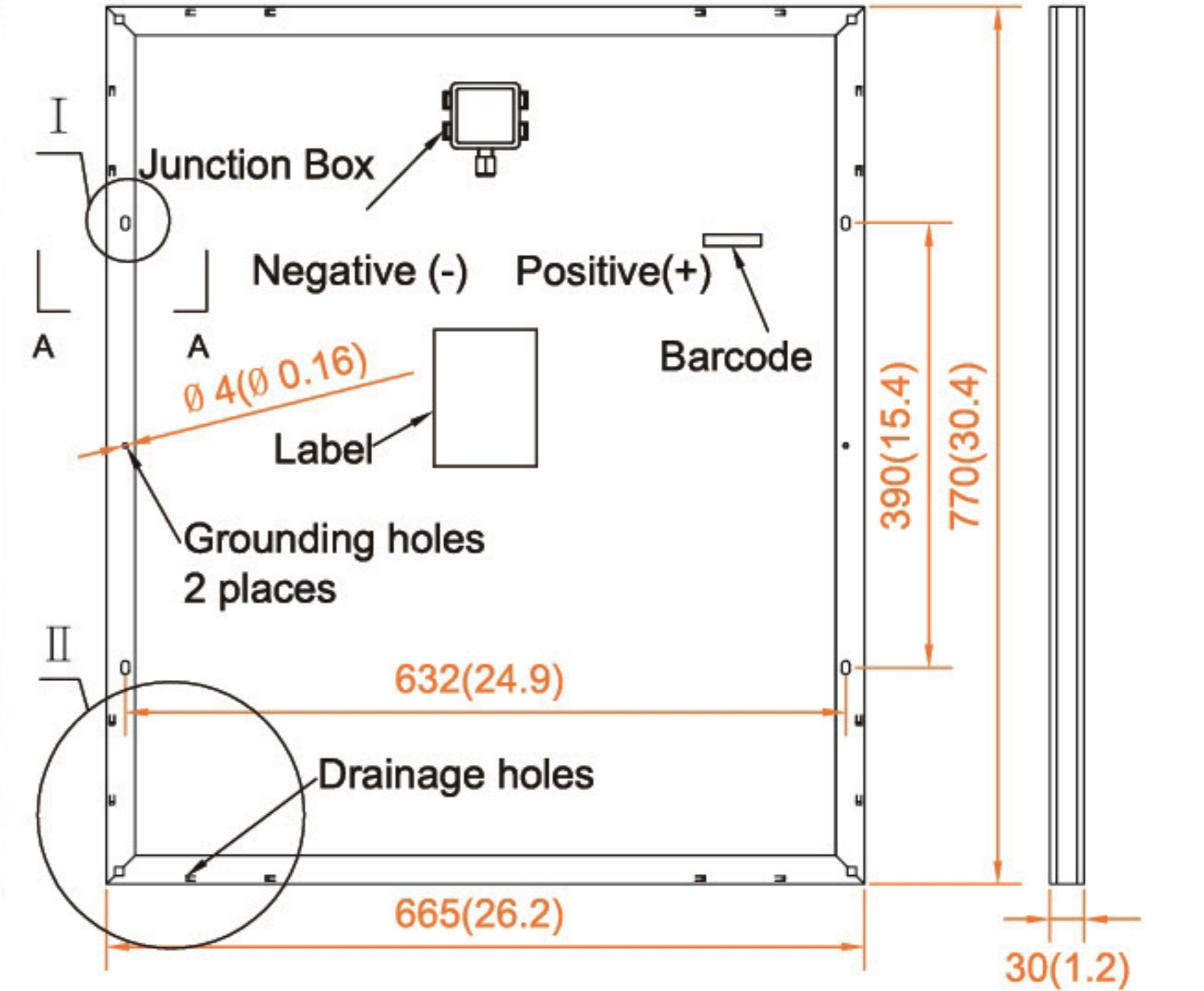
100W-110W



85W-95W



75W-80W



## MANAGEMENT SYSTEM



ISO 9001: Quality management system

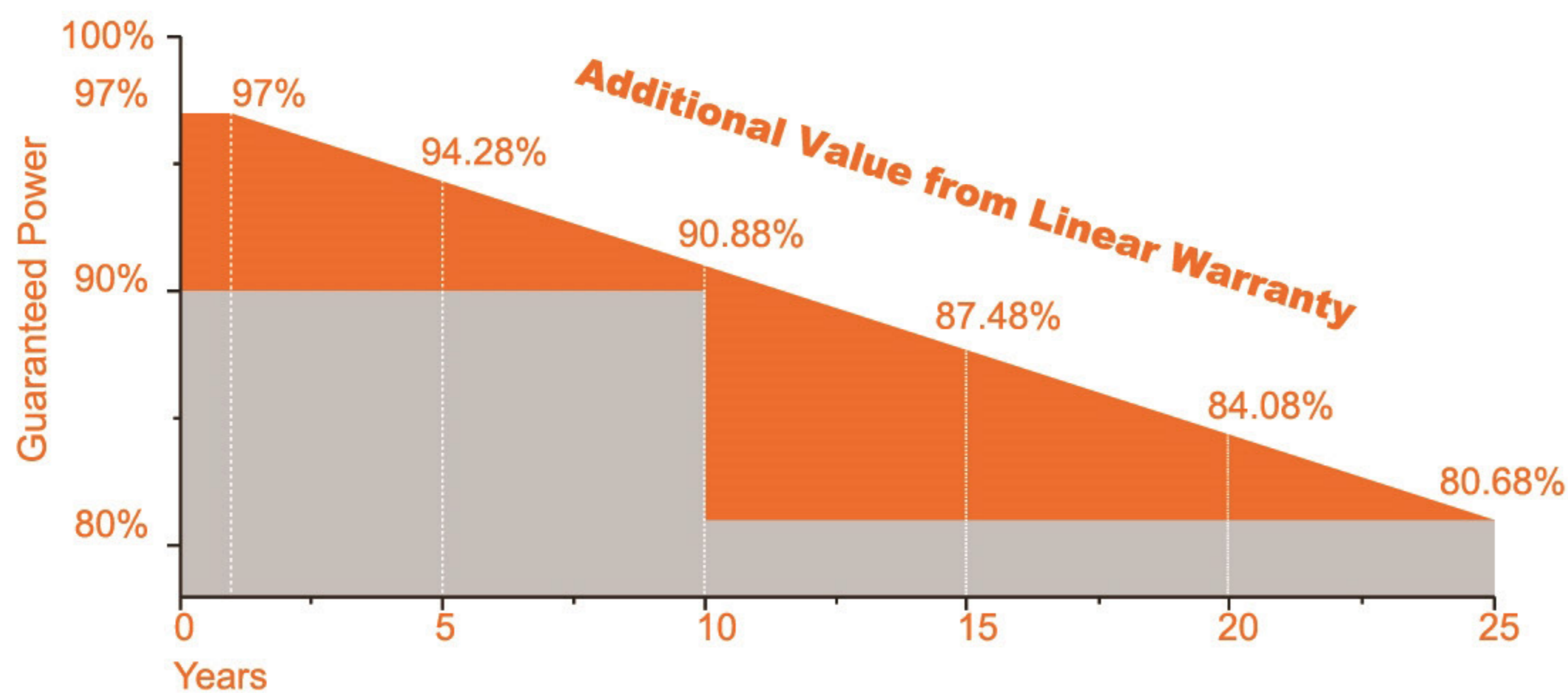
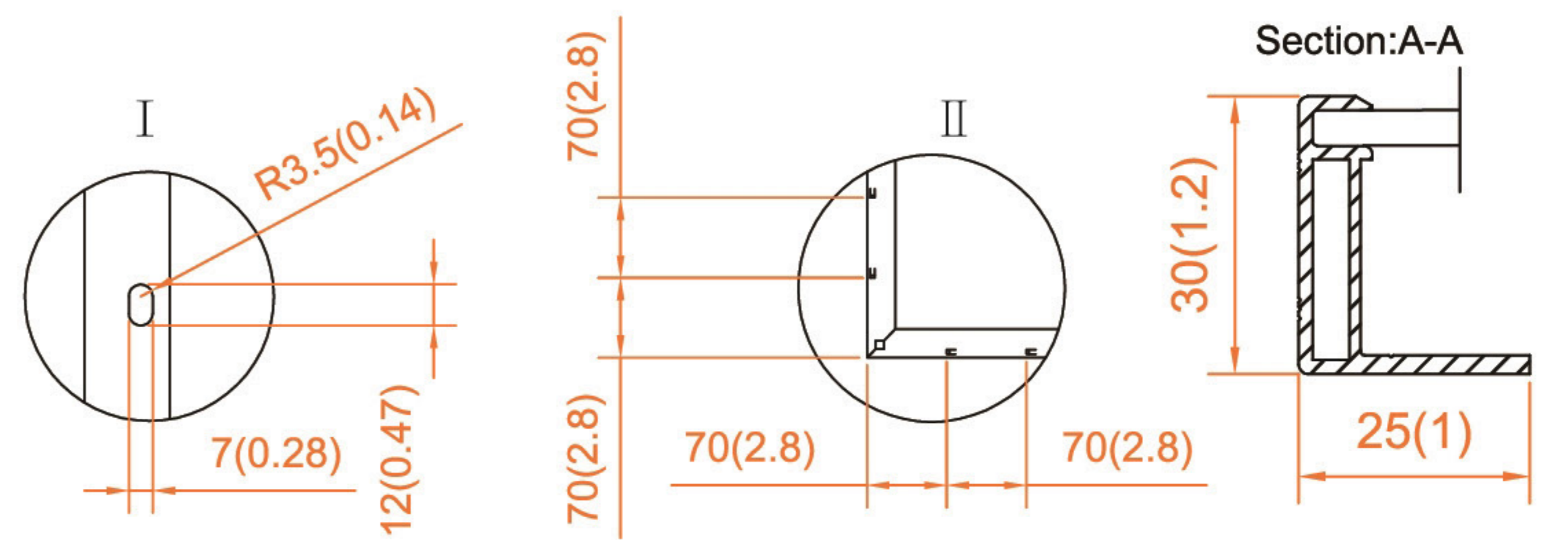


ISO 14001: Standard for environmental management system



OHSAS 18001: International standard for occupational health and safety assessment system

## PRODUCT CERTIFICATES



## WARRANTY

**5** Years  
Material & Craft  
Quality  
assurance

**10** Years  
90% Output  
Power  
guarantee

**25** Years  
80% Output  
Power  
guarantee

### Electrical Characteristics (STC)

Module Type	KF75M-12	KF80M-12	KF85M-12	KF90M-12	KF95M-12	KF100M-12
Maximum Power- Pmax(W)	75	80	85	90	95	100
Open Circuit Voltage - Voc(V)	22.6	22.8	22.4	22.6	22.8	22.6
Short- Circuit Current - Isc(A)	4.40	4.65	5.04	5.28	5.52	5.87
Voltage at Pmax -Vmp(V)	18.4	18.6	18.2	18.4	18.6	18.4
Current at Pmax - Imp(A)	4.08	4.30	4.67	4.89	5.11	5.43
Module Efficiency -ηm (%)	14.65	15.62	14.69	15.56	16.42	15.04

Module Type	KF105M-12	KF110M-12	KF115M-12	KF120M-12	KF125M-12	KF130M-12
Maximum Power- Pmax(W)	105	110	115	120	125	130
Open Circuit Voltage - Voc(V)	22.7	22.8	22.6	22.8	23.1	23.4
Short- Circuit Current - Isc(A)	6.13	6.39	6.75	6.97	7.18	7.43
Voltage at Pmax -Vmp(V)	18.5	18.6	18.4	18.6	18.8	18.9
Current at Pmax - Imp(A)	5.68	5.91	6.25	6.45	6.65	6.88
Module Efficiency -ηm (%)	15.79	16.54	15.44	16.11	16.78	17.45

STC: Irradiance 1000W/m<sup>2</sup>, Cell Temperature 25 °C, Air Mass 1.5  
Power measurement tolerance:0~+3%

### Mechanical Specifications

Module Type	KF115M~130M-12	KF100M~110M-12	KF85M~95M-12	KF75M/80M-12
Dimensions	1120×665×30mm	1000×665×30mm	870×665×30mm	770×665×30mm
Weight	8.4kg	7.5kg	6.5kg	5.7kg
Mono Solar Cells	117×156mm (36pcs)	104×156mm (36pcs)	90×156mm (36pcs)	78×156mm (36pcs)
Front Glass	3.2 mm tempered, low iron	3.2 mm tempered, low iron	3.2 mm tempered, low iron	3.2 mm tempered, low iron
Frame	Anodized aluminum alloy	Anodized aluminum alloy	Anodized aluminum alloy	Anodized aluminum alloy
Junction Box	IP67	IP67	IP67	IP67
Mechanical Load	5400 Pa	5400 Pa	5400 Pa	5400 Pa

### Packing Configuration

Module Type	KF115M~130M-12	KF100M~110M-12	KF85M~95M-12	KF75M/80M-12
Carton Dimensions	1135×680×175mm	1015×680×175mm	885×680×175 mm	785×680×175 mm
Pallet Dimensions	1400×1150×2170mm	1400×1100×2160mm	1800×1100×2170mm	1600×1100×2170mm
Pallet Weight	1074kg	966kg	1264kg	1115kg
Pieces/Pallet	120(5pcs/carton)	120(5pcs/carton)	180(5pcs/carton)	180(5pcs/carton)

### I-V Curve (KF100M-12)

