

# JUSTSOLAR

## Halfcut 182mm

### MONO MODULE

JST182\*182-M  
-72-MH-(535-555)W



High conversion efficiency  
High module efficiency to guarantee power output.



Self-cleaning glass  
Coating glass for self-cleaning, reduce surface dust.



Outstanding low irradiation performance  
Excellent module efficiency even in the weak light conditions, such as morning or cloudy.



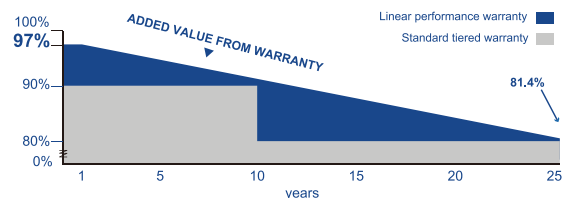
Excellent loading capability  
2400Pa wind loads, 5400Pa snow loads.



0 to +5W positive tolerance  
Detailed information in Electrical Specifications.



48-hour response service



25

25-year performance warranty

10

10-year warranty on materials and workmanship

IEC 61215 Ed.2  
IEC 61730  
UL 1703



# JUST Solar

## ELECTRICAL DATA

|                                      |        |        |            |        |        |
|--------------------------------------|--------|--------|------------|--------|--------|
| Model Type (JST182*182-M-72-MH-***W) | 535    | 540    | 545        | 550    | 555    |
| Peak Power (Pmax)                    | 535W   | 540W   | 545W       | 550W   | 555W   |
| Module Efficiency                    | 20.9%  | 21.1%  | 21.3%      | 21.5%  | 21.7%  |
| Maximum Power Voltage (Vmp)          | 41.00V | 41.20V | 41.40V     | 41.60V | 41.80V |
| Maximum Power Current (Imp)          | 13.05A | 13.11A | 13.17A     | 13.23A | 13.29A |
| Open Circuit Voltage (Voc)           | 49.20V | 49.40V | 49.60V     | 49.80V | 50.00V |
| Short Circuit Current (Isc)          | 13.81A | 13.87A | 13.93A     | 13.99A | 14.05A |
| Power Tolerance                      |        |        | 0 to +5W   |        |        |
| Maximum System Voltage               |        |        | 1000/1500V |        |        |
| Nominal Operating Cell Temperature   |        |        | 41±3°C     |        |        |
| Maximum Series Fuse Rating           |        |        | 25A        |        |        |

## MECHANICAL DATA

|                 |   |
|-----------------|---|
| Cell Type       | 182mm, Mono   |
| Number of Cells | 144(12×6×2)   |
| Weight          | 29/28.5kg   |
| Dimension       | 2279*1134*35(1.5mm Cell Gap)<br>2256*1134*35 (0.5mm Cell Gap) |
| Max Load        | 5400 Pascals  |
| Junction Box    | IP68 rated  |
| Connector       | MC4 Compatible  |
| Wire Type       | PV Wire   |

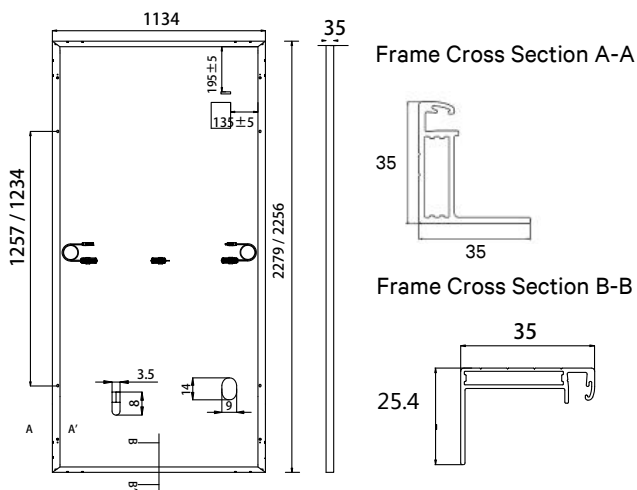
## TEMPERATURE CHARACTERISTICS

|                                |            |
|--------------------------------|------------|
| Temp. Coeff. of Isc (TK Isc)   | 0.05% /°C  |
| Temp. Coeff. of Voc (TK Voc)   | -0.28% /°C |
| Temp. Coeff. of Pmax (TK Pmax) | -0.36% /°C |

## PACKING MANNER

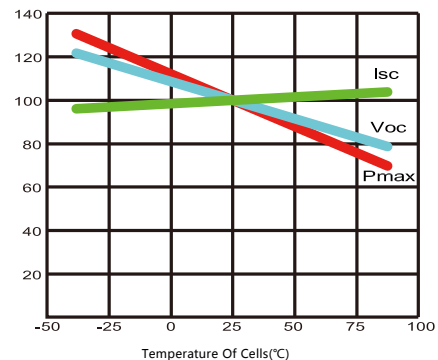
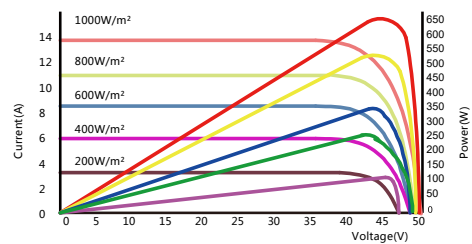
|                      |        |
|----------------------|--------|
| Container            | 40' HQ |
| Pieces per Pallet    | 31     |
| Pieces per Container | 620    |

## PHYSICAL CHARACTERISTICS



## ELECTRICAL CHARACTERISTICS

JST182\*182-M-72-MH-540W



Note: the specifications are obtained under the Standard Test Conditions (STCs): 1000W/m<sup>2</sup> solar irradiance, 1.5 Air Mass, and cell temperature of 25°C. The NOCT is obtained under the Test Conditions: 800W/m<sup>2</sup>, 20°C ambient temperature, 1m/s wind speed, AM 1.5 spectrum.

Please contact support@jusolar.com for technical support. The actual transactions will be subject to the contracts. This parameters is for reference only and it is not a part of the contracts. The specifications are subject to change without prior notice.