

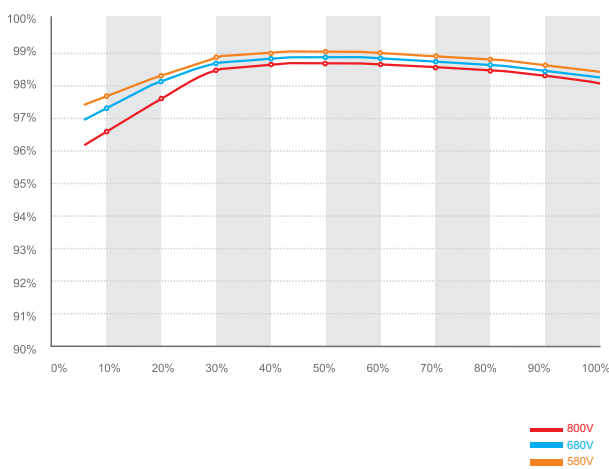


Leading - edge Technology

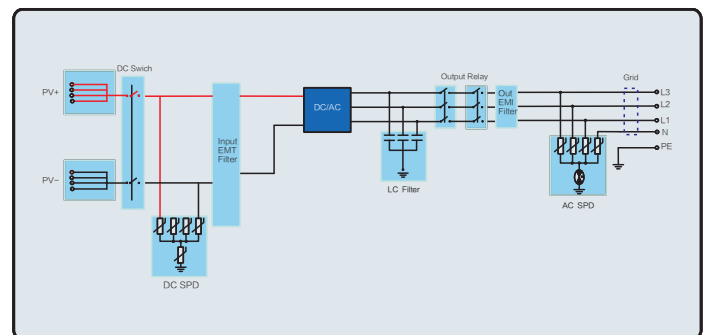
- Maximum efficiency up to 98.8%
- Maximum input voltage 1100Vdc
- Internal DC switch and transformerless
- Leading IPM (Intelligent Power Module), more reliable
- Smart cooling
- Compact design and easy installation

Growatt 50000TL3-HE/60000TL3-HE

Growatt 60000TL3-HE efficiency



Growatt 50-60k TL3-HE topology



GROWATT NEW ENERGY TECHNOLOGY Co.,LTD

A: No.28 Guangming Road, Longteng Community, Shiyan, Baoan District, Shenzhen, P.R.China.

T: + 86 755 2747 1900 F: + 86 755 2749 1460 E: info@ginverter.com

Datasheet

Growatt 50000 TL3-HE

Growatt 60000 TL3- HE

Input Data

Max. DC power	57500W	69000W
Max. DC voltage	1000V	1000V
Start voltage	250V	250V
PV voltage range	580V-1000V	580V-1000V
MPPT work voltage range / nominal voltage	580V-1000V/600V	580V-1000V/600V
Full load dc voltage range	580V-800V	580V-800V
Max. input current	87.5A	105A
Max. input current per string	12A	12A
Number of independent MPP trackers/strings per MPP tracker	1/11	1/11

Output (AC)

Rated AC output power	50kW	60kW
Max AC apparent power	50kVA	60kVA
Max. output current	72.5A	87A
AC nominal voltage; range	400V/340V~440V	400V/340V~440V
AC grid frequency; range	50/60Hz, ±5Hz	50/60Hz, ±5Hz
Power factor	0.8leading - 0.8lagging	0.8leading - 0.8lagging
THDI	<3%	<3%
AC grid connection type	3W+N+PE	3W+N+PE

Efficiency

Max. efficiency	98.8%	98.8%
Euro - eta	98.5%	98.5%
MPPT efficiency	99.5%	99.5%

Protection Devices

DC reverse polarity protection	yes	yes
DC switch	yes	yes
Output over current protection	yes	yes
Output overvoltage protection-varistor	yes	yes
Ground fault monitoring	yes	yes
Grid monitoring	yes	yes
Integrated all-pole sensitive leakage current monitoring unit	yes	yes

General Data

Dimensions (W / H / D)	950/650/405mm	950/650/405mm
Weight	45kg	45kg
Operating temperature range	-25°C...+60°C	-25°C...+60°C
Noise emission (typical)	≤ 70dB(A)	≤ 70dB(A)
Self-Consumption (night)	≤ 2000m without derating	≤ 2000m without derating
Topology	< 0,5W	< 1.0W
Cooling concept	transformerless	transformerless
Environmental Protection Rating	Smart cooling	Smart cooling
Relative Humidity	IP65	IP65
	0~100% (Non-condensing)	0~100% (Non-condensing)

Features

DC connection	H4/MC4(opt)	H4/MC4(opt)
AC connection	Screw terminal	Screw terminal
Display	LCD	LCD
Interfaces: RS232/RS485/Ethernet/RF/Wi-Fi	yes / yes / opt / opt / opt	yes / yes / opt / opt / opt
Warranty: 5 years / 10 years	yes / opt	yes / opt

Certificates and Approvals