

Tubular gel technology



NorthStar OPzV Solar Batteries are optimized for higher cycle life at deep discharges.

- Designed by NorthStar
- High capacity
- Maintenance free - no need to refill water
- ABS container
- V0 material optional
- M10 brass terminal
- Operating temperature range -20°C to +55°C (-4°F to +131°F)
- Low gassing enables low ventilation requirements
- Optional vent tubing adaptors available
- IEC 60896-21/22 compliant
- DIN 40742 EUROBAT design life definition: Long Life (12+ years)
- Shelf life of up to 24 months
- Not subject to road transport regulations (ADR) when packed properly

# NSB 2-900 Solar

## Nominal Technical Specifications

### Dimensions

Length	147 mm	Width	208 mm
Height over pillar	656 mm	Height with connectors	681 mm
Weight	47 kg		

### Electrical

Internal resistance (mOhm)	0,51
Short circuit current (A)	3970
Operation temperature range	-20°C to +55°C (-4°F to +131°F)

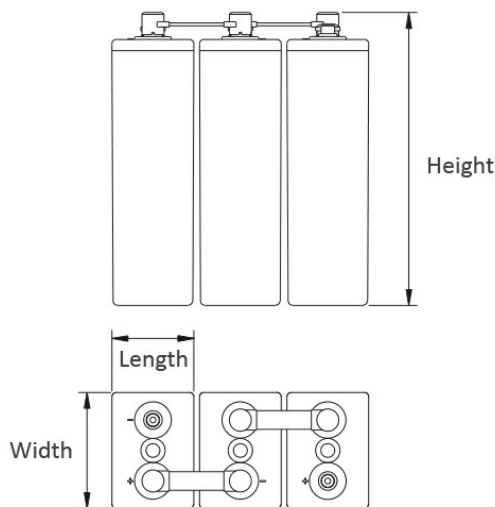
### Electrical Data at 20°C (68°F)

Type	C10 Ah	C24 Ah	C48 Ah	C72 Ah	C100 Ah	C120 Ah
Ue (100%)/VPC	1.80	1.85	1.85	1.85	1.85	1.85
NSB 2-900 Solar	670	699	748	772	831	858

### Electrical Data at 25°C (77°F)

Type	C10 Ah	C24 Ah	C48 Ah	C72 Ah	C100 Ah	C120 Ah
Ue (100%)/VPC	1.80	1.85	1.85	1.85	1.85	1.85
NSB 2-900 Solar	691	720	771	796	856	884

### Technical Drawing



All NorthStar OPzV batteries are compliant with ISO 9001, ISO 14001 and ISO 18001.

NorthStar Americas PARTIAL  
NorthStar Battery Company LLC  
4000 Continental Way  
Springfield, MO, 65803,  
United States of America  
info@northstarbattery.com  
Tel: +1 417 575 8200  
Fax: +1 417 575 8250

NorthStar Europe  
SiteTel Sweden AB  
Haukadalsgatan 8A  
SE-164 40 Kista,  
Stockholm, Sweden  
europe@northstarbattery.com  
Tel: +46 8 410 102 00  
Fax: +46 8 638 06 00

NorthStar Middle East, Africa  
NorthStar Battery DMCC  
Office 702, Saba 1 Tower  
Jumeirah Lake Towers, Dubai  
United Arab Emirates  
mea@northstarbattery.com  
Tel: +971 4 423 8060  
Fax: +971 4 423 8061

NorthStar Asia-Pacific  
NS Asia Pacific Sdn. Bhd.  
B2-3A-13A, Solaris Dutamas  
No. 1, Jalan Dutamas 1, 50480  
Kuala Lumpur, Malaysia  
asia@northstarsitetel.com  
Tel: +60 3 6419 0711