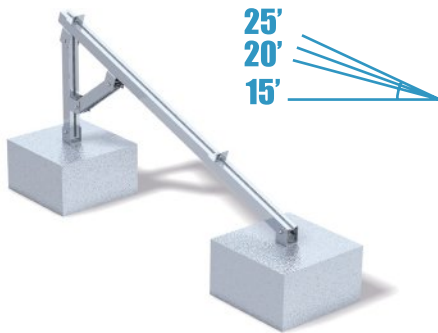


MRA3-A5

Concrete roof mounting system

MRA3-A5 Suit for the installation of concrete flat roof. Light weight design and pre-installation make it flexible and quick.

10 Years



88 m/s

1200 mm

Standard

JISC 8955:2017
GB 50009-2012
GB 50797-2012

Acceptance standard



Data

1. Material: AL6005-T5
2. Bolt material: SUS304
3. Wind load: 88m/s
4. Snow load: 1200mm
5. Angle: 15/20/25 degree

Components



Column



Foundation



Clip



End clamp



Mid clamp

