

ZT Series Polycrystalline

Solar Module

290P/295P



Efficiency

High Module Conversion Efficiencies utilizing three buss bars per cell

Warranty

Peace of Mind Guaranteed with a twenty-five Year Linear Power Warranty and Product Quality Ensured for ten years

Certifications

IEC 61215:2005, IEC 61730:2004, UL 1703-3rd Ed: 2014, ULC/ORD C1703-01:2014, ISO 9001:2008, PSK 024:2008

Tolerance

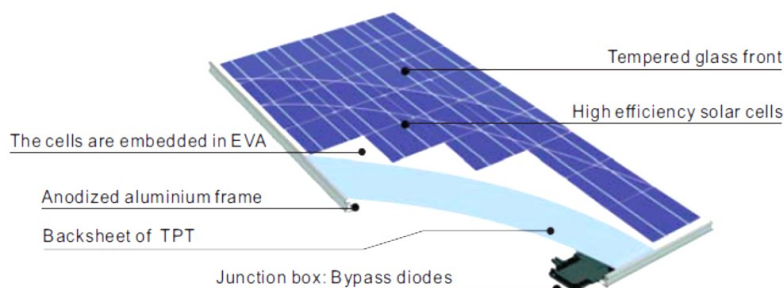
Strict quality control guarantees higher average power output according to tolerance -3% to 3%.

Optimized Strength

Minimum standard for wind 2700Pa to a Mechanical load capacity up to 5400Pa meet customer's needs for durability on high mountains, sea shores, & paths between buildings



Module Construction



EMPOWERING You
To Change The Future

Zytech was founded in Zaragoza (Spain) in 2005. Since then the group has progressively increased its infrastructure and production capacity to become a global power with offices and headquarters in Spain, Germany, France, Italy, BENELUX, Mexico, United States of America, Korea, Malaysia and China.

Zytech takes pride in their R&D department which specializes in product enhancement, state-of-the-art machinery and rigorous quality control that guarantees an European quality product at the best price.



www.zytechsolar.com

ZT Series Polycrystalline

Solar Module



290P/295P

Cell Data	
Technology	Polycrystalline Silicon
Number Per Module	72
Dimension	156 × 156mm
Orientation	6 × 12

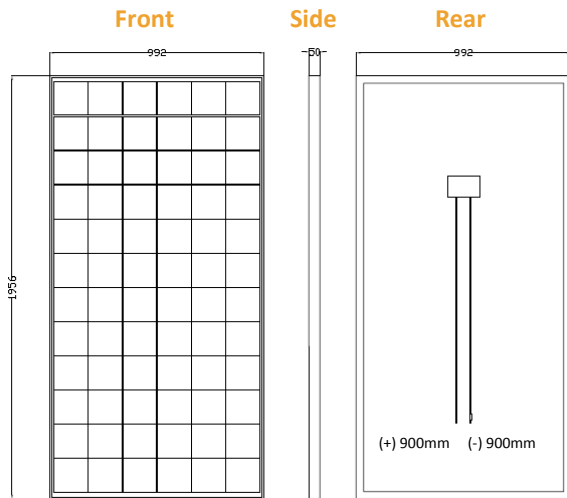
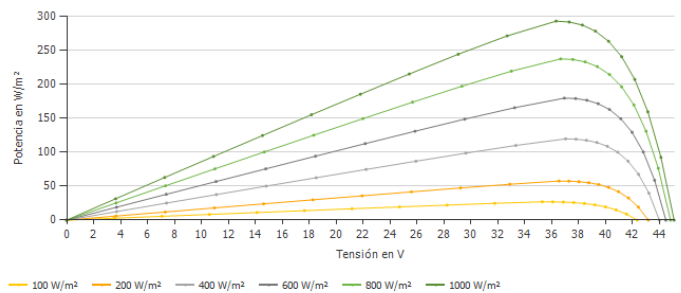
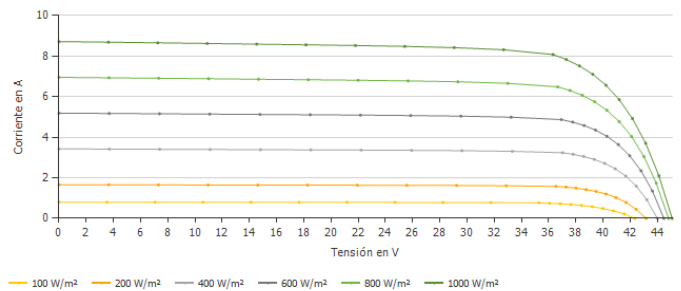
Thermal Data	
Nominal Operating Cell Temperature (NOCT)	45°C ± 2°C
Temperature Coefficient of Voc	-0.275% / °C
Temperature Coefficient of Isc	+0.023% / °C
Temperature Coefficient of Power Pmax	-0.40% / °C

Electrical Data (STC)		ZT 290P	ZT 295P
Maximum power (W)	Pmax	290	295
Power Output Tolerance (%)		± 3%	
Maximum Power Voltage (V)	Vmpp	35.89	36.04
Maximum Power Current (A)	Imp	8.09	8.19
Open Circuit Voltage (V)	Voc	45.50	45.59
Short Circuit Current (A)	Isc	8.65	8.68
Module Efficiency (%)		15.0%	15.5%

* At Standard Conditions (STC) Irradiance 1000 watt/m², spectrum AM 1,5 at a cell temperature of 25°C

System Integrated Parameters	
Maximum System Voltage SCII	1000 VDC (UL1000V)
Maximum Reverse Current	Do not apply external voltages larger than Voc to the module
Operating Temperature	-40~+85°C
Max Series Fuse Rating	15A

IU and PU Curve



Physical Characteristics	
Module Dimension (L×W×H)	1956×992×50mm Code: PV30029-ZT290P
Weight	23 kg
J-Box	IP65 or IP67 rated, 3/6 diodes
Connector	MC4 or MC4 Compatible
Glass	3.2mm (0.13 in), High Transmission, AR Coated Tempered Glass
Cable	4 mm ² PV cable, 1000mm/1200mm
Frame	Silver Anodized Aluminum Alloy

Packing Configuration	
Modules Per Pallet	26
Pallet Per 40' HQ Container	22 (572 pcs)
Packing Box Dimension (L×W×H)	2000×1150×1040 mm
Packing Orientation	Side

ZYTECH SOLAR S.L.

P. Industrial Centrovía- C/R. Janeiro, 12
50198 La Muela (Zaragoza) SPAIN
Tel: +34 976 141819 / Fax: +34 976+141818
info@zytech.es
www.zytechsolar.es

Zytech Solar reserves the right to change specifications without notice