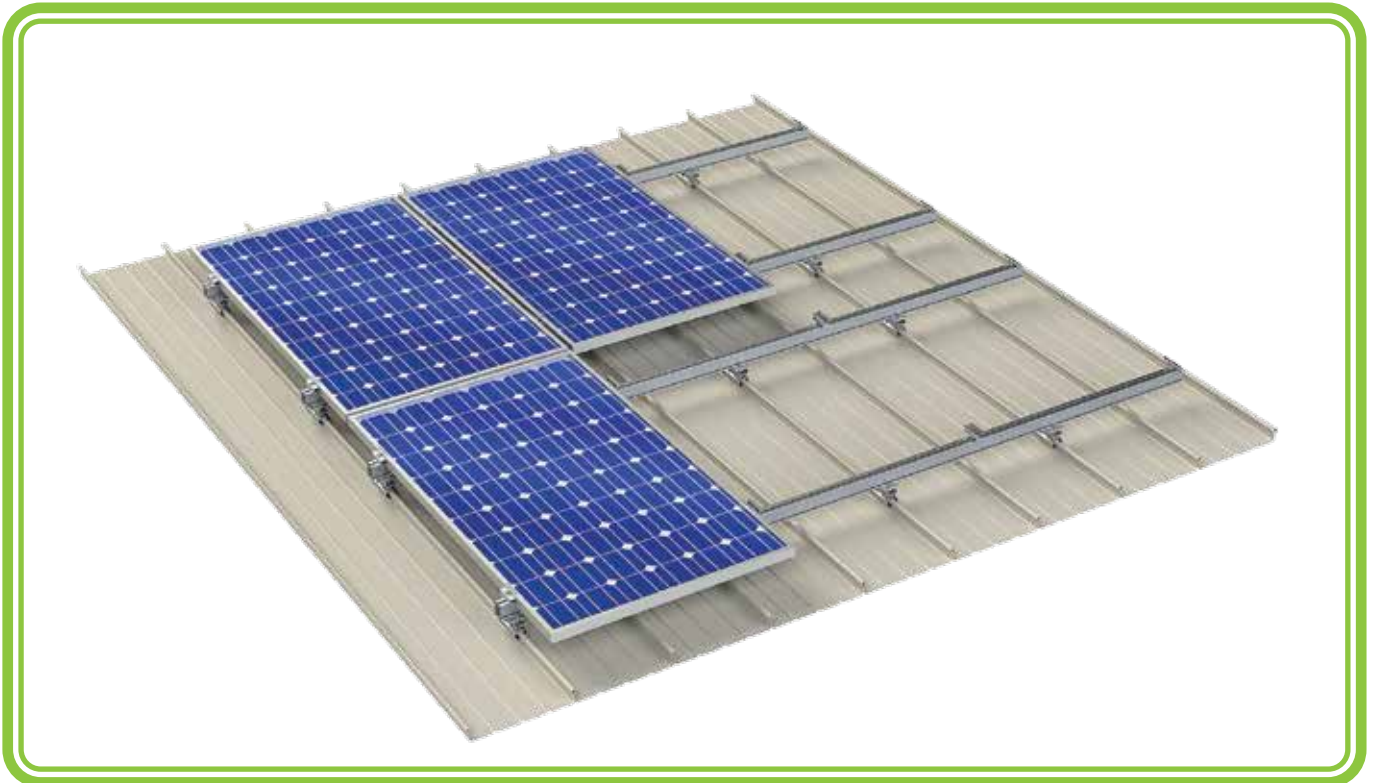


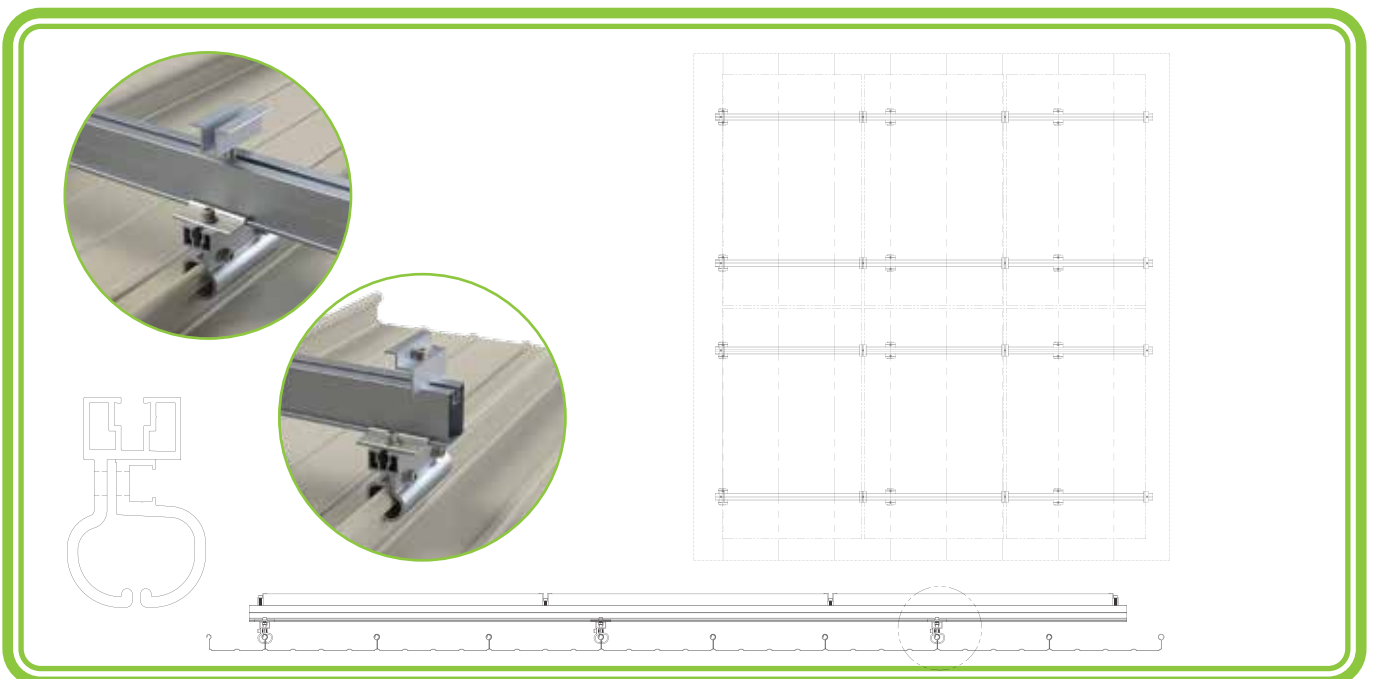
PSI HYDER

Standing Seam Portrait System



System Arrangement

- This mounting system can be used for Standing seam, Round seam and Angle seam roofs without roof penetration.
- This is an economical solution ideal for the rapid installation on Portrait Orientation.
- The Aluminum grade used is AA6063 T6 with Silver Matt Anodizing up to 15-18 microns.
- The fasteners are used as per CLASS A2 – 70.
- The Vertical distance is defined by the module dimensions of the Solar PV System.
- The horizontal distance is defined by the type of standing seam profile and the type of the panel.
- The installation of the Clamp and Rail permits better air circulation and easy alignment for portrait orientation.



PSI HYDER

Standing Seam Landscape System



System Arrangement

- This mounting system can be used for Standing seam, Round seam and Angle seam roofs without roof penetration.
- This is an economical solution ideal for the rapid installation on Landscape Orientation.
- The Aluminum grade used is AA6063 T6 with Silver Matt Anodizing up to 15-18 microns.
- The fasteners are used as per CLASS A2 – 70.
- The Vertical distance is defined by the module dimensions of the Solar PV System.
- The horizontal distance is defined by the type of standing seam profile and the type of the panel.

