



Efficient Module

60pieces

Mono-crystalline Module

290-320W

Power Output Range

19.7%

Maximum Efficiency

0~+5W

PowerTolerance

Product Specifications Book

Maximize limited space with top-end efficiency

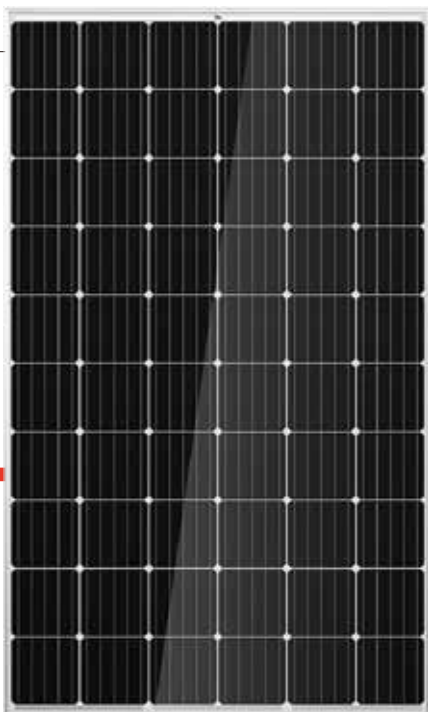
- Up to 180 W/m² power density
- Low thermal coefficients for greater energy production at high operating temperatures
- 1500V UL/1500V IEC certified

Highly reliable due to stringent quality control

- Over 30 in-house tests (UV, TC, HF, and many more)
- In-house testing goes well beyond certification requirements
- 100% EL double inspection

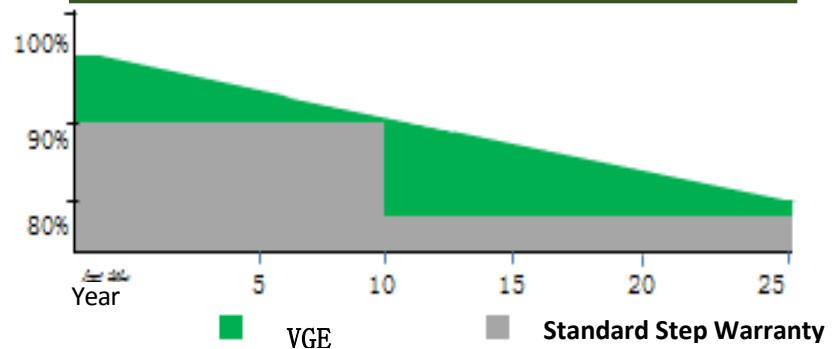
Certified to withstand challenging environmental conditions

- 2400 Pa wind load
- 5400 Pa snow load
- 35 mm hail stones at 97 km/h



LINEAR PERFORMANCE WARRANTY

10 Year Product Warranty-25 Year Linear Power Warranty



Electrical Specifications
(standard test conditions)

Maximum Power -P _{MAX} (Wp)	290	295	300	305	310	315	320
Power Tolerance -P _{MAX} (W)	0 ~ +5%						
Maximum power point of operating voltage-P _{MPP} (V)	32.2	32.5	32.6	32.9	33.2	33.5	33.8
Maximum power point of operating current) -I _{MPP} (A)	9.01	9.08	9.19	9.28	9.31	9.34	9.37
Open circuit voltage -V _{oc} (V)*	38.9	39.7	39.9	40.0	40.3	40.7	41.0
Short circuit current - IM (A)	9.66	9.68	9.77	9.85	9.88	9.91	9.94
Module Efficiency η_m (%)	17.8	18.1	18.3	18.7	19.1	19.4	19.7

Standard test conditions under Measured Value:(air quality AM1.5, Irradiance 1000W / m² cell temperature 25 °C)

Electrical Index (under nominal operating cell temperature conditions)

Maximum Power -P _{MAX} (Wp)	216	220	223	227	230	234	237
Maximum power point of operating voltage -P _{MPP} (V)	29.9	30.2	30.4	30.6	30.8	31.0	32.0
Maximum power point of operating current) -I _{MPP} (A)	7.23	7.28	7.35	7.42	7.47	7.51	7.56
Open circuit voltage -V _{oc} (V)*	36.7	36.9	37.1	37.3	37.5	37.7	37.9
Short circuit current - IM (A)	7.67	7.71	7.78	7.84	7.89	7.94	7.99

NOCT: Irradiance 800W / m² ambient temperature of 20 °C, wind speed 1m / s

Temperature Rating

		Limit parameter	
Nominal Operating Cell Temperature (NOCT)	44 °C (±2 °C)	Working Temperature	-40~+85 °C
Maximum power (P _{MAX}) Temperature Coefficient	- 0.39%/ °C	Maximum system voltage	1500V DC (IEC)
Open-circuit voltage (VOC) Temperature Coefficient	- 0.29%/ °C		1500V DC(UL)
Short circuit current (ISC) Temperature Coefficient	0.05%/ °C	Maximum fuse rated Current	15A

Mechanical Specifications

Solar cell Type	156.75mm × 156.75mm Mono-crystalline
Number of Cells	1 module 60pieces (6 × 10)
Dimensions	1640 × 992 × 35 mm
Weight	18.6 kg
Glass	3.2mm, High transparency, anti-reflective coatings toughened glass
Backsheet	White /Black
Frame	Silver, anodized aluminum
Junction Box	Protection level IP 68
Cable	4.0 mm ² 1000 mm Photovoltaic dedicated cables
Connector	MC4 compatible

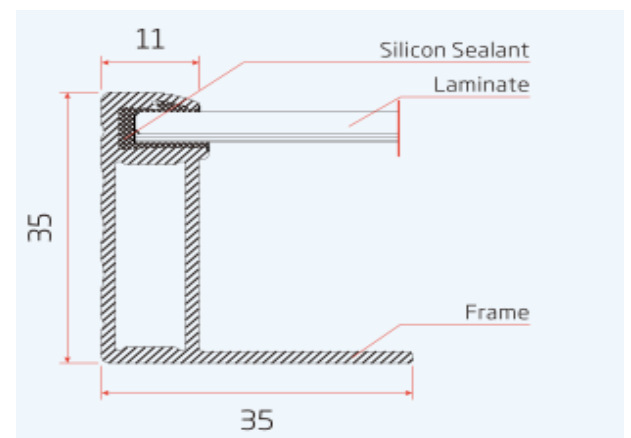
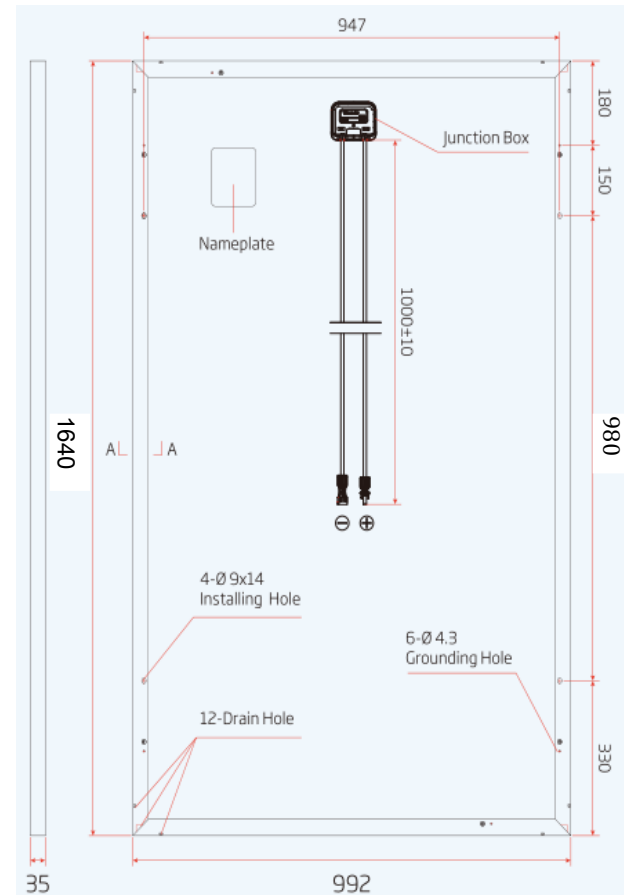
P60 Module Packing

Name	Dimensions (mm)	Weight (kg)
Pallet	1680*1130*123mm	29
Carton Box(30pcs)	1670*1120*1000mm	10
Carton Box (2pcs)	1670*1000*80mm	2

Maximum stacking height of P60 Module Packing: 30 pcs per box allow stacking of the same 30 pcs box, Plus 2 boxes per box 2pcs;

30 pcs single pallet dimension height: 1123mm Weight: 598KG

Height of 2 pallet stacking 2 pallet per box 2pcs: 2406mm Weight: 1243.4KG



Warranty

10-year warranty for product
25-year warranty for linear power

*Please refer to product warranty for details

Packaging Method

Modules per box: 30 pcs

Modules per 40 ft container: 840 pcs

* Installation depends on the mechanical load