

# SEG48100H

## Rack mounted HESS battery system

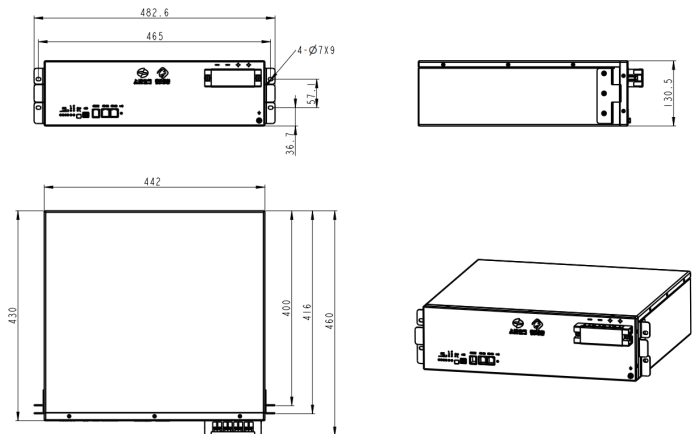
SEG48100H is a light 48V LiFePO4 battery module with high energy density which supports 19-inch rack installation. It has a long-service life and it supports fast charge/discharge.

## Battery Management System (BMS)

Easy communicate with most major brand inverters

It adopts advanced intelligent BMS with alarm and protection functions such as overcharge/discharge, max current control, thermal runaway control, etc. It can also record the voltage, current and regular operating data.

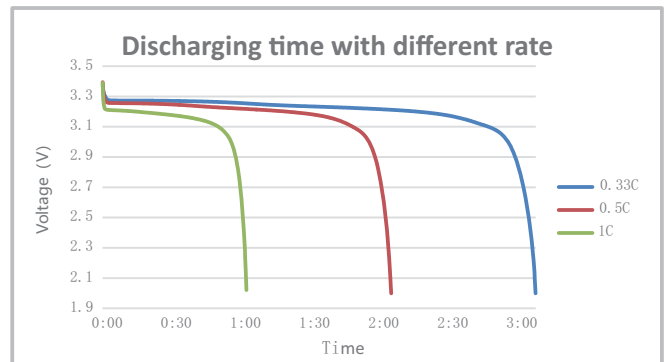
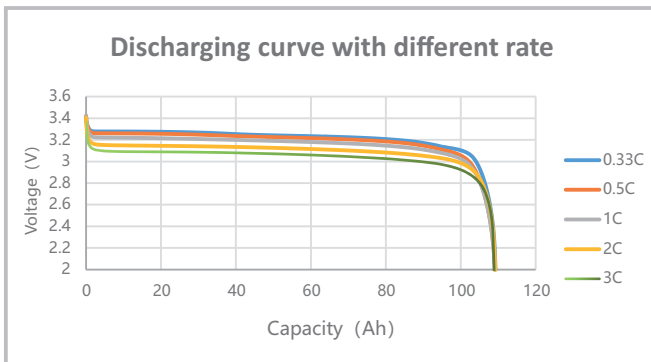
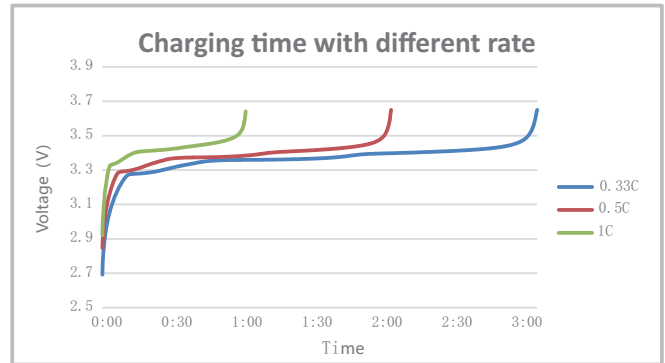
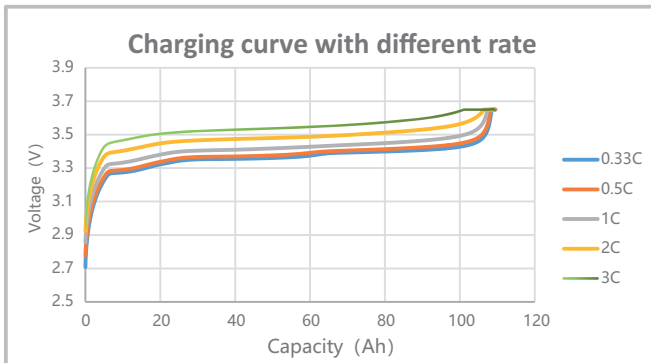
- Excellent performance in harsh conditions
- Protection functions of voltage, current & temperature
- Easy O&M
- 15 years design life
- Applications:
  - Backup power supply for telecommunications
  - Renewable energy on-grid/off-grid/hybrid system
  - UPS
  - Others



# Specifications & Parameters

Parameters	
Items	Indicates
Cell Combination	1P15S/1P16S
Rated Capacity	100Ah (0.2C to 40.5V @ 25°C)
Rated Energy	4800Wh/5120Wh
Width × Depth × Height	442mm × 420mm × 130.5mm
Weight	42kg ± 2kg
Operating Voltage Range	40.5V ~ 54.75V /43.2V ~ 58.4V
Max Charge/Discharge Current (Continuous)	50A / 100A
Cycle Life	6000 times @0.5C, 80% DOD
Charge Temperature Range	0°C ~ 55°C
Discharge Temperature Range	-20°C ~ 60°C
Optimal Storage Temperature	0°C ~ 30°C
Communication Interface	RS232 / RS485/CAN
Protection Class	IP20
Self-Discharge Rate@25°C	< 3% / month
Other Function	Current Limiter / Data logger / Cell balancing / Software lock
Options	LCD screen / Anti-theft / Terminal size / Dry contact
Communication In Parallel	15 modules in parallel maximum

## Performance curves



### Disclaimers of warranties:

Copyright Shanghai Electric Gotion New Energy Technology Co., Ltd. . All rights reserved.  
All product outward appearance, the color take the material object as, the picture only supply the reference.

Address: 19th Floor, Block1, Jiefang Building, No.4855, Minhang District, Shanghai

Tel: + 86 21 6220 9958 - 8670

[https://www.shanghai-electric.com/group\\_en/gxxnygsjs/](https://www.shanghai-electric.com/group_en/gxxnygsjs/)

E-mail: info\_segnet@shanghai-electric.com