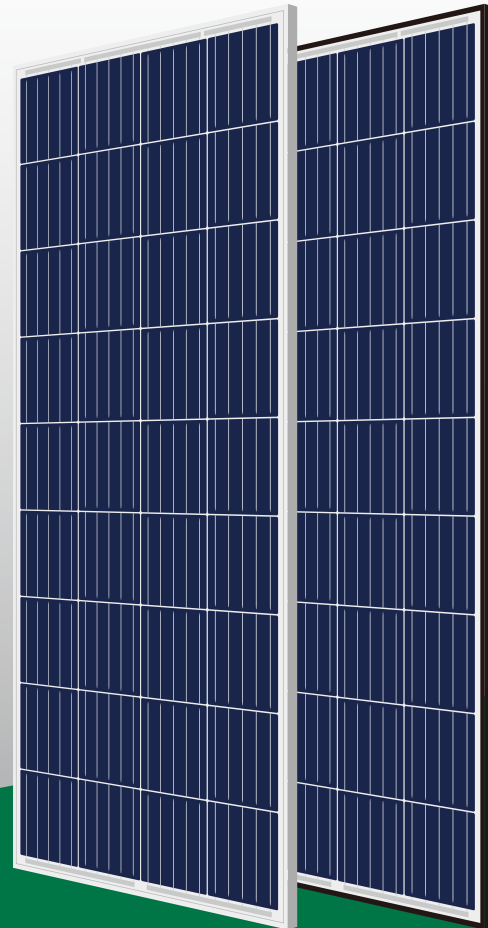


SP170P6-36 SERIES

Poly-crystalline 36Cells 150W-170W



10

10-year product workmanship warranty

10

10-year guarantee for 90% rated power

25

25-year guarantee for 80% rated power



Excellent power generation performance

Guaranteed 0~+5W positive rated power tolerance ensures more power generation every day



Long weather resistance

Excellent anti-PID(Potential Induced Degradation) Certified in fireproofing for safety



Stable mechanical performance

Passed rigorous hail test
Withstands 5400Pa snow and 2400Pa wind loads



Lower temperature coefficient

Improved temperature coefficient decreases power loss in the high temperature application.



Low-light Performance

Advanced glass and solar cell surface texturing allow for excellent performance in low-light environments.



Superior quality control

ISO 9001:2015 Quality Management System
100% EL and appearance inspection

POLYCRYSTALLINE 36 CELLS SOLAR MODULE 150W-170W

ELECTRICAL DATA(STC)

Module	SP150P6-36	SP155P6-36	SP160P6-36	SP165P6-36	SP170P6-36
Peak Power Watts(Pmax/W)	150	155	160	165	170
Power Output Tolerance(W)	0 ~ +5				
Maximum Power Voltage(Vmp/V)	17.49	17.90	18.32	18.74	19.15
Maximum Power Current(Imp/A)	8.58	8.66	8.73	8.80	8.88
Open Circuit Voltage(Voc/V)	22.48	22.69	22.90	23.10	23.31
Short Circuit Current(Isc/A)	9.22	9.27	9.31	9.35	9.39
Module Efficiency(%)	15.13	15.63	16.14	16.64	17.14
Maximum System Voltage	DC 1000V				
Max Series Fuse Rating	15A				
Operational Temperature	-40~+85°C				

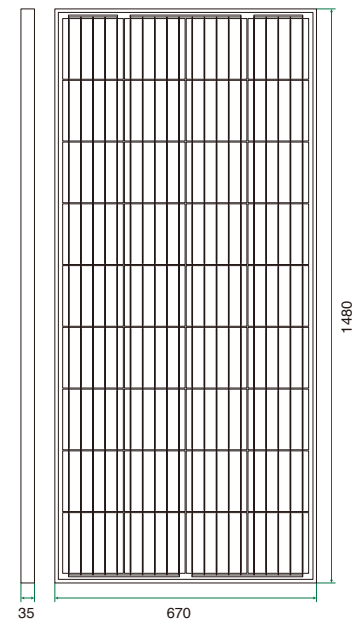
STC: Irradiance 1000W/m², Cell Temperature 25°C, Air Mass AM1.5.

*Measuring tolerance: ±3%.

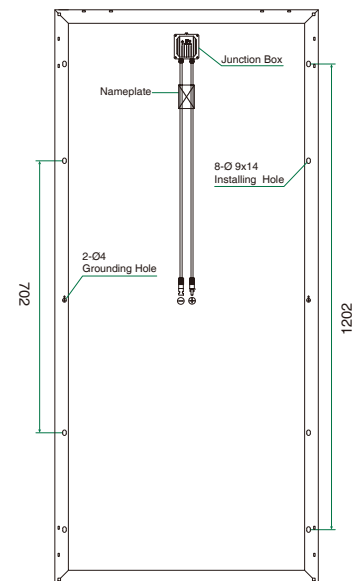
MECHANICAL DATA

Solar Cells	Polycrystalline 156.75 × 156.75 mm (6 inches)
Cell Orientation	36 cells (4 × 9)
Module Dimensions	1480 × 670 × 35 mm (58.3 × 26.4 × 1.38 inches)
Weight	10.8 kg (23.8 lb)
Glass	3.2 mm (0.13 inches), High Transmission, AR Coated Tempered Glass
Backsheet	White
Frame	Silver / Black Anodized Aluminium Alloy
Junction Box	IP 67 rated
Cables	4.0mm ² 900 mm (35.4 inches)
Connector	MC4

DIMENSIONS OF PV MODULE(mm)



Front View

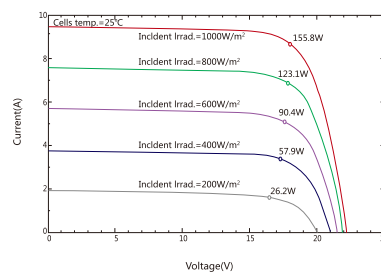


Back View

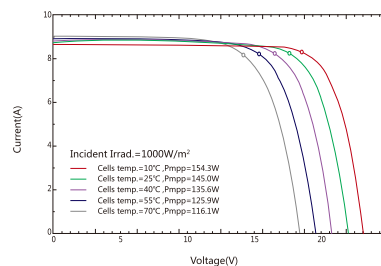
TEMPERATURE RATINGS

NOCT (Nominal Operating Cell Temperature)	45°C (±2°C)
Temperature Coefficient of Pmax	- 0.36%/°C
Temperature Coefficient of Voc	- 0.36%/°C
Temperature Coefficient of Isc	+0.06%/°C

I-V CURVES



I-V Curves at different irradiance



I-V Curves at different temperature

PACKAGING CONFIGURATION

Modules per box: 90 pieces

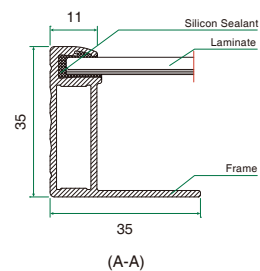
Modules per 40' container: 1350 pieces

WARRANTY

10 year Product Workmanship Warranty

25 year Linear Power Warranty

(Please refer to product warranty for details)



(A-A)