

SM-60P CONVENTIONAL SERIES 60 CELLS

270-290W



17.83%
Max efficiency

15 YEARS

Guarantee on product material and workmanship



156.75mm
Polycrystalline solar cells

25 YEARS

Linear power output warranty

KEY FEATURES



100% double EL test enabling remarkable reduction of hidden crack rate of modules



Positive power tolerance (3 ~ +10W) guaranteed



Lower risk of hot spot effects



Significantly lower LCOE and BoS cost savings



Low Light Features
Higher performance under low light environment.



5BB Cell
More uniform current collection capability, reducing the current heat loss of the internal cells.



PID Protection
Ensure the attenuation probability caused by PID phenomenon is minimized

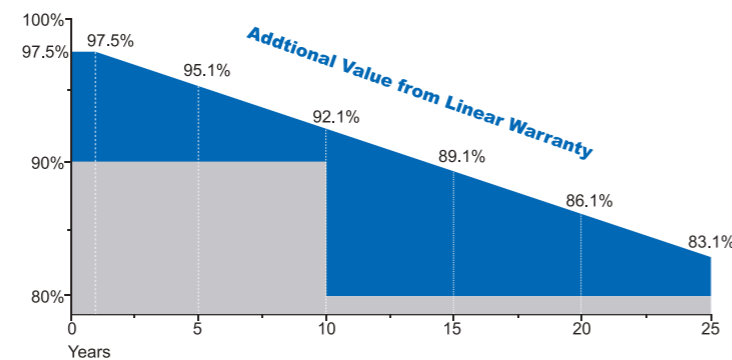
MANAGEMENT SYSTEM

ISO 9001: Quality management system

ISO 14001: Standard for environmental management system

OHSAS 18001: International standard for occupational health and safety assessment system

WARRANTY



INSURANCE



PRODUCT CERTIFICATES



60 CELLS | 5BB

Electric Characteristics

Model of modules	SM-270-60P		SM-275-60P		SM-280-60P		SM-285-60P		SM-290-60P	
	STC	NOCT	STC	NOCT	STC	NOCT	STC	NOCT	STC	NOCT
Maximum power— P_{mp} (W)	270W	200W	275W	204W	280W	208W	285W	212W	290W	216W
Open-circuit voltage— V_{oc} (V)	38.8V	35.4V	39.1V	35.5V	39.4V	35.6V	39.6V	35.7V	39.9V	35.9V
Short-circuit current— I_{sc} (A)	9.09A	7.38A	9.15A	7.44V	9.20A	7.99A	9.26A	8.05A	9.34A	8.12A
Maximum power voltage— V_{mp} (V)	31.7V	29.4V	32.0V	29.8V	32.3V	30.1V	32.5V	30.4V	32.8V	30.8V
Maximum power current— I_{mp} (A)	8.52A	6.80A	8.61A	6.85A	8.69A	6.91A	8.77A	6.97A	8.86A	7.03A
Module efficiency— η_m (%)	16.6%		16.9%		17.21%		17.52%		17.83%	

STC: Irradiance 1000 W/m², 25°C, AM1.5 NOCT: Irradiance 800 W/m², 20°C, wind velocity 1m/s

Temperature Characteristics

Temperature coefficient at maximum power	-0.38%/ °C
Temperature coefficient of Voc	-0.31%/ °C
Temperature coefficient of Isc	+0.06%/ °C
Current operating temperature	-40~+85 °C
Rated operating temperature of cells	45±2 °C

Structural Characteristics

Module dimensions	1640x992x35mm
Weight	18.0kg
No. of Half-cells	60
Cell	Poly crystalline 156.75x156.75mm
Glass	3.2mm AR coating tempered glass
Frame	Anodized aluminum alloy
Junction box	IP68, three diodes
Output wire	4.0 mm ² , wire length: 1200mm or Customized
Connector	MC4 compatible
Mechanical load	Snow load 5400Pa/Wind load 2400Pa

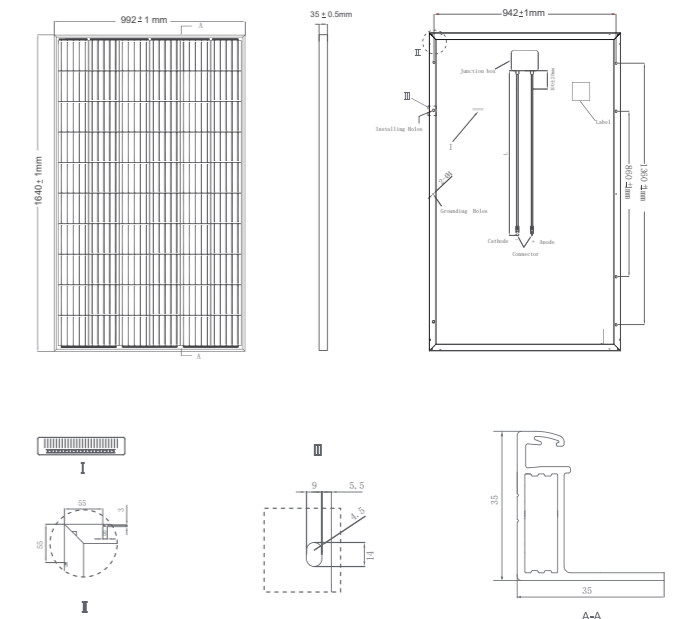
Working Characteristics

Power tolerance(W)	(3,+10)
Maximum system voltage(V)	1000V/1500V
Maximum rated fuse current (A)	20

Packaging Configuration

Container	20GP	40HQ
Quantity per pallet	30	31
Pallets per container	12	28
Quantity per container	360	952

Engineering Drawings



IV Curves

