

SSB15000/17000/20000

SSB Series

SSB Series provide string inverters with the three level topology globally, also we can customize to provide more optional choices for PV power systems.

SSB series has been proved to be outstanding for its features like leading edge efficiency, high cost-effective, modern appearance, friendly interface, and ultra-long quality warranty, etc.



Features:

- Transformerless with the three level Topology
- Max efficiency up to 98.0%
- Dual MPPT inputs accommodating wide voltage range
- Compact structure design
- Simple local setting

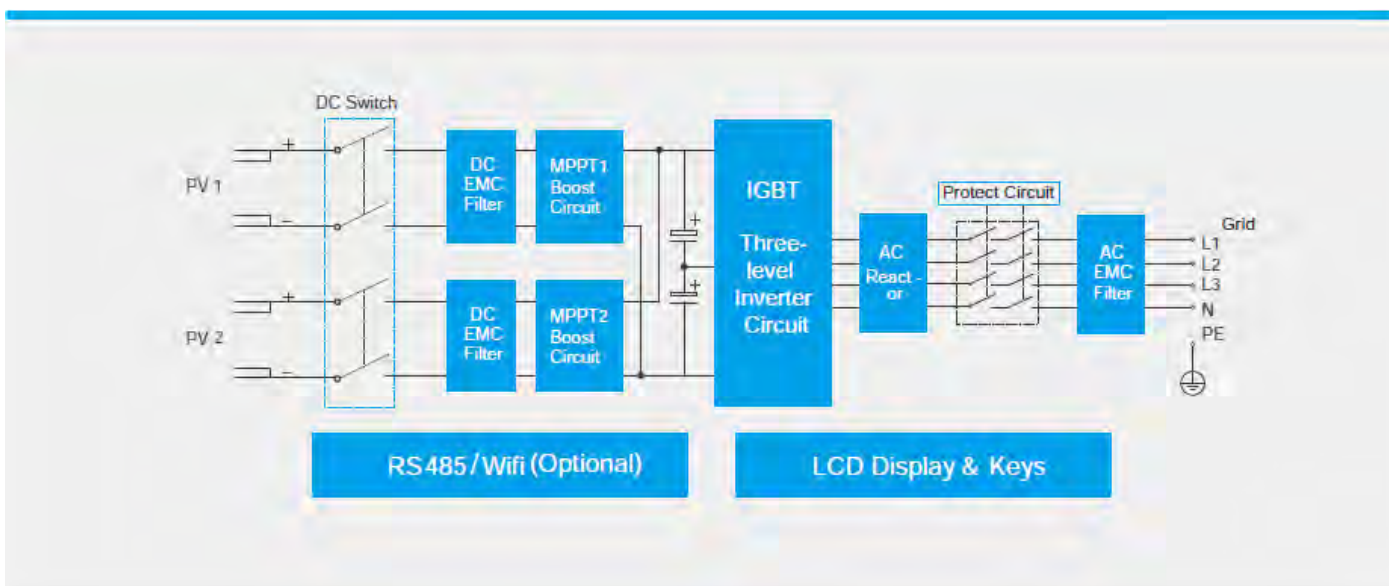
Flexibility:

- Indoors and outdoors usage (IP65)
- Easy installation and free maintenance
- RS485/WiFi(optional) communication
- Multi-lingual display with large LCD screen

Reliability:

- Reliable protection for over/under voltage, anti-islanding, short circuit, overload, etc.
- 5-year quality warranty extends to 15-years (optional) exclusively
- Comply with VDE0126-1-1 , EN62109 - 1,EN62109-2,G59/2,AS/NZS 3100,AS4777.2, AS4777.3,VDE-AR-N-4105,CQC etc.

Diagram :



Technical data

Inverter Model	SSB15000	SSB17000	SSB20000
Input (DC)			
Max DC power	15340 W	17410 W	20500 W
Max DC voltage	1000 V	1000 V	1000 V
Full load MPPT Voltage Range /Rated Voltage	380-800V/610V	430-800V/610V	500-800V/610V
Max input current input A/input B	20A/20A	20A/20A	20A/20A
Start up Voltage / On-grid Voltage	160/250V	160/250V	160/250V
Number of MPP trackers / Stringsper tracker	2/2	2/2	2/2
Output (AC)			
AC nominal power (@230V,50HZ)	15 KW	17 KW	20 KW
Max nominal apparent power	15000VA	17000VA	20000W
Nominal AC voltage	3/N/PE 220V/380V 3/N/PE 230V/400V 3/N/PE 240V/415V	3/N/PE 220V/380V 3/N/PE 230V/400V 3/N/PE 240V/415V	3/N/PE 220V/380V 3/N/PE 230V/400V 3/N/PE 240V/415V
AC voltage range	176V-276V	176V-276V	176V-276V
AC grid frequency	50Hz/60Hz	50Hz/60Hz	50Hz/60Hz
Max output current	24A	25A	30A
Power factor (adjustable)	0.8leading-0.8lagging	0.8leading-0.8lagging	0.8leading-0.8lagging
Harmonics (THD)	<3%	<3%	<3%
Efficiency			
Max efficiency	98.0%	98.0%	98.0%
Euro efficiency	97.5%	97.5%	97.5%
MPPT efficiency	99.9%	99.9%	99.9%
General data			
Dimensions (W / H / D)	540 / 660/ 192m	540 / 660/ 192m	540 / 660/ 192m
Weight	40kg	40kg	41kg
Operating temperature range	-25°C~ +60°C	-25°C~ +60°C	-25°C~+60°C
Degree of protection (according to IEC 60529)	IP65	IP65	IP65
Climatic category (according to IEC 60721-3-4)	4K4H	4K4H	4K4H
Internal consumption: (night)	<1W	<1W	<1W
Topology structure	Transformerless	Transformerless	Transformerless
Cooling concept	Fans	Fans	Fans
Noise (typical)	<50 dB	<50 dB	<50 dB
Screen display	LCD	LCD	LCD
humidity	0-100%, non-condensing	0-100%, non-condensing	0-100%, non-condensing
Communication (RS485/WiFi)	Yes/Opt.	Yes/Opt.	Yes/Opt.
Warranty (5 / 10 / 15 years)	Yes/Opt./Opt.	Yes/Opt./Opt.	Yes/Opt./Opt.