

72CELL

MONOCRYSTALLINE MODULE

380-410W

POWER OUTPUT RANGE

0~+5W

POSITIVE POWER T



Tunghsu persist Long-lasting and stable quality

- Advanced production equipment, International first-class production technology, Achieved high module conversion efficiency 20.1%
- Excellent performance for resist wind pression and snow load, full module passed wind pression and snow load, full module passed wind pression (2400Pa) and snow load (5400Pa) test
- Excellent weak light performance, Resistant to salt spray and ammonia corrosion
- Passing the certification test of photovoltaic standards
- Certified by international quality management and environmental management system ISO9001, OHSAS18001, ISO14001
- Application grade: A grade, Safe class: II, Fireproofing grade: C

Comprehensive Products And System Certificates

IEC61215/IEC61730/UL1703/IEC61701/IEC62716

ISO 9001: Quality Management System

ISO 14001: Environmental Management System

OHSAS 18001: Occupation Health and Safety Management System

GB/T 23001-2017: Management system with Integration of Information Technology and Industrialization



High power output

- * Reduce BOS cost with higher power bin and 1500V system voltage



Half-cell design brings higher efficiency

- * New cell string layout and split J-box location to reduce the energy loss caused by shading between modules
- * Low thermal coefficients for greater energy production at high operating temperature
- * Low cell connection power loss due to half-cell layout (144 monocrystalline)



Highly reliable due to stringent quality control

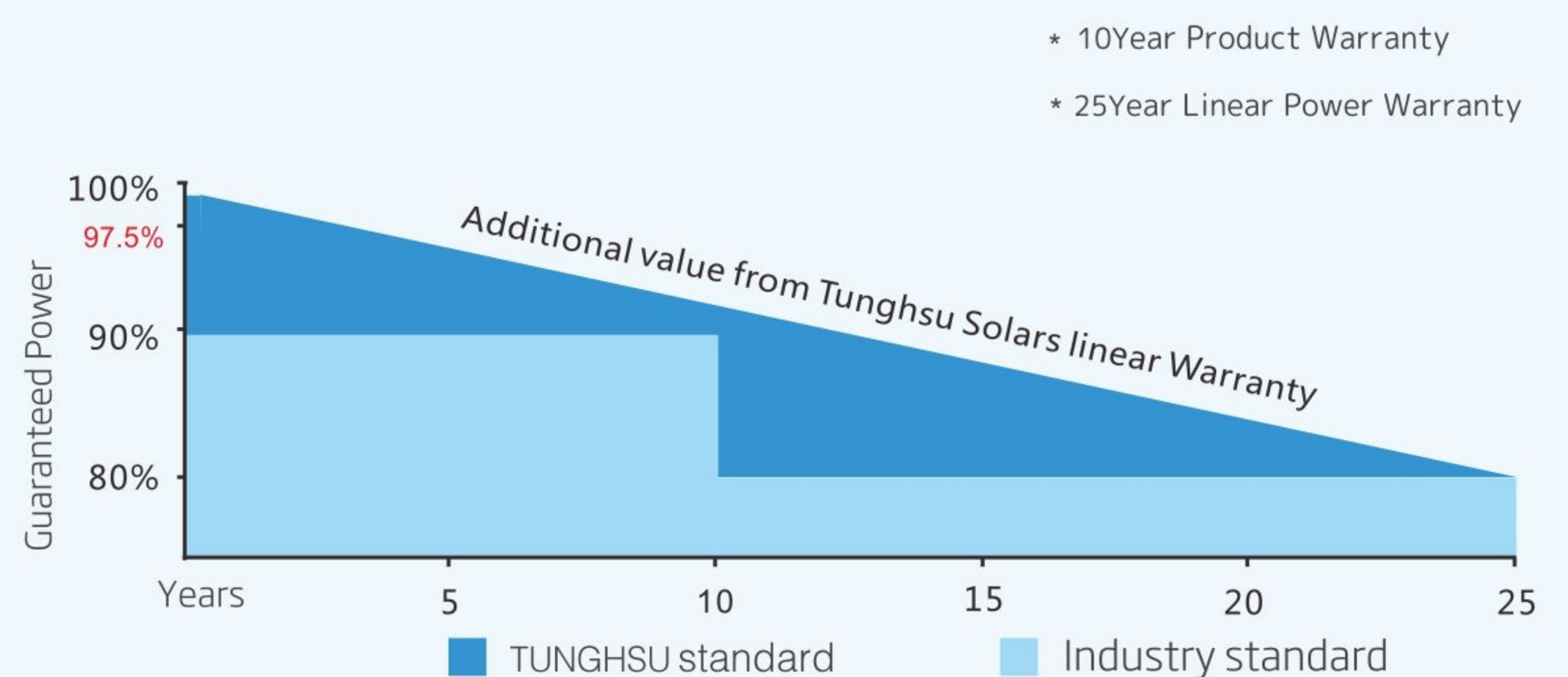
- * In-house testing goes well beyond certification requirements (UV, TC, HF, and many more)
- * PID resistant



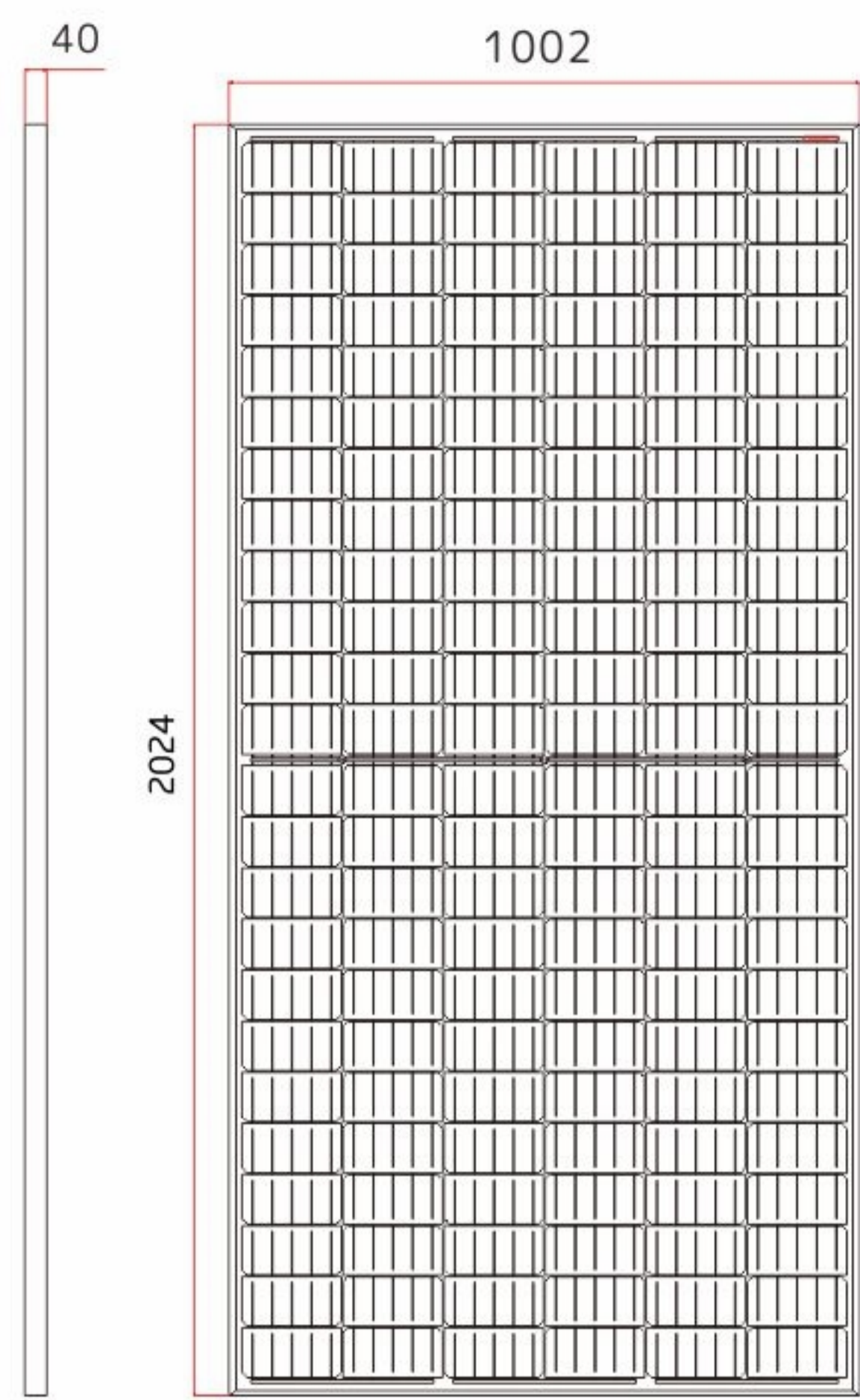
Certified to withstand the most challenging environmental conditions

- * **2400** Pa wind load
- * **5400** Pa snow load

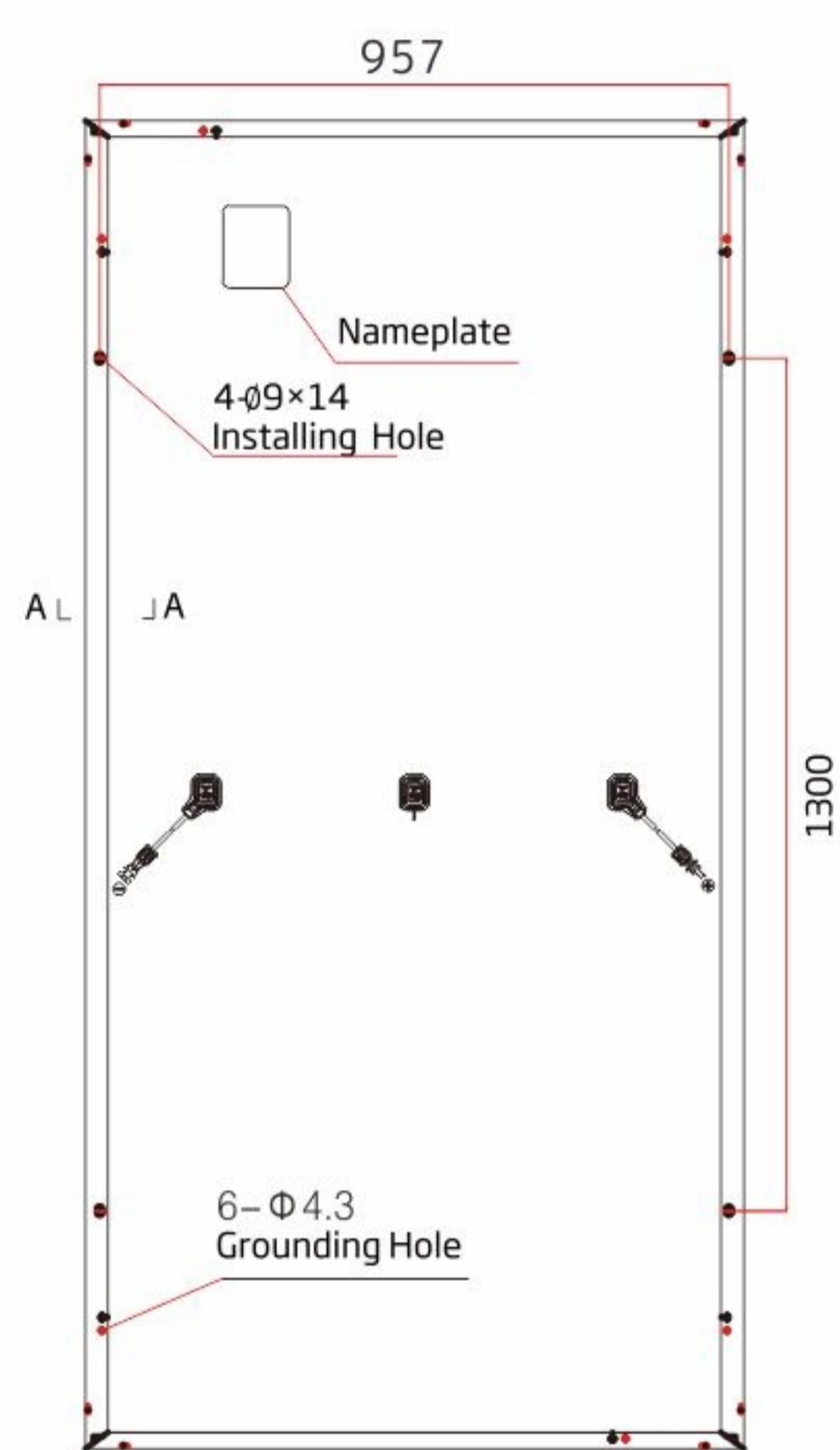
LINEAR PERFORMANCE WARRANTY



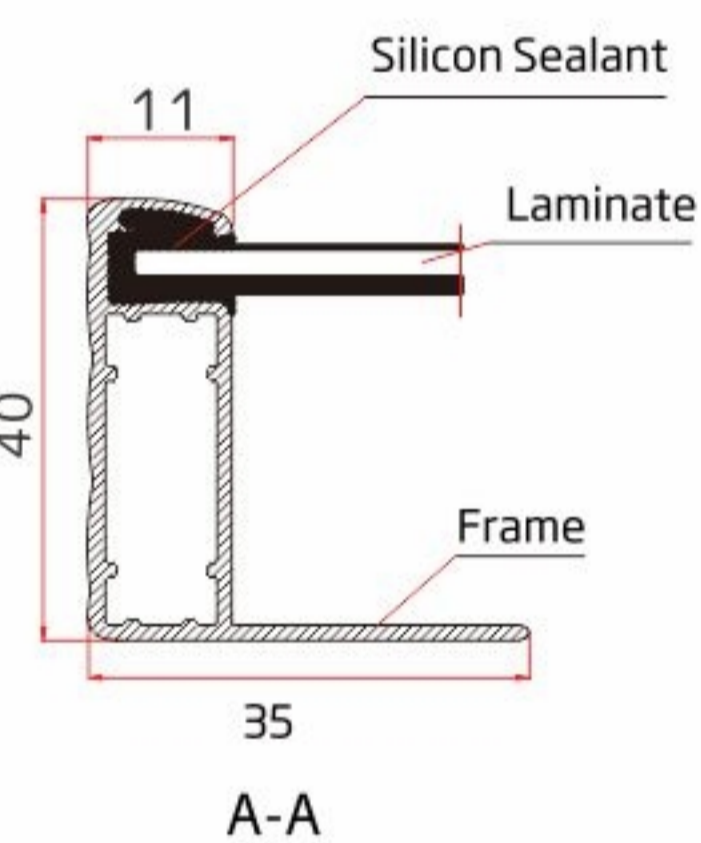
DIMENSIONS OF PV MODULE(mm)



Front View

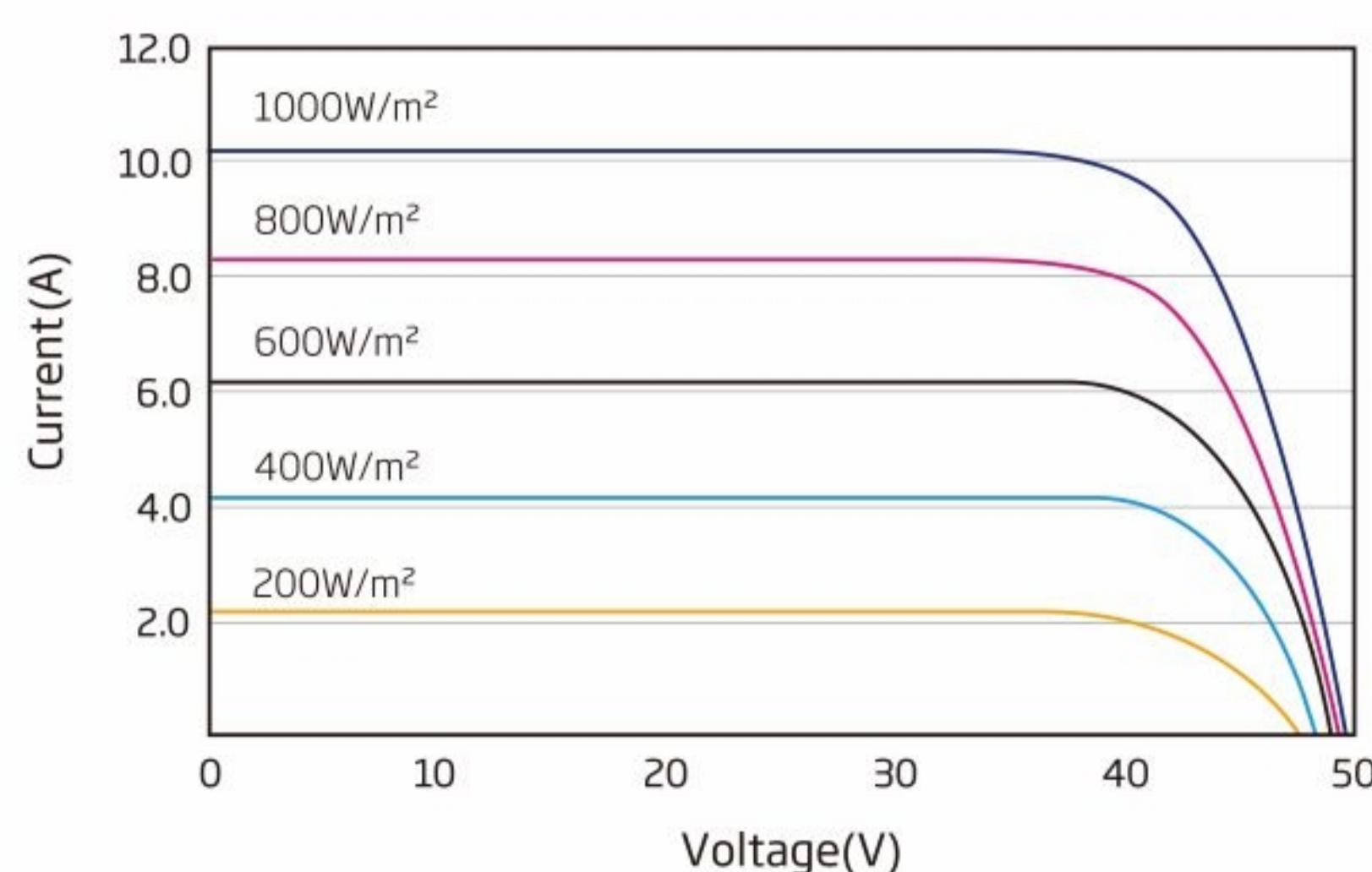


Back View

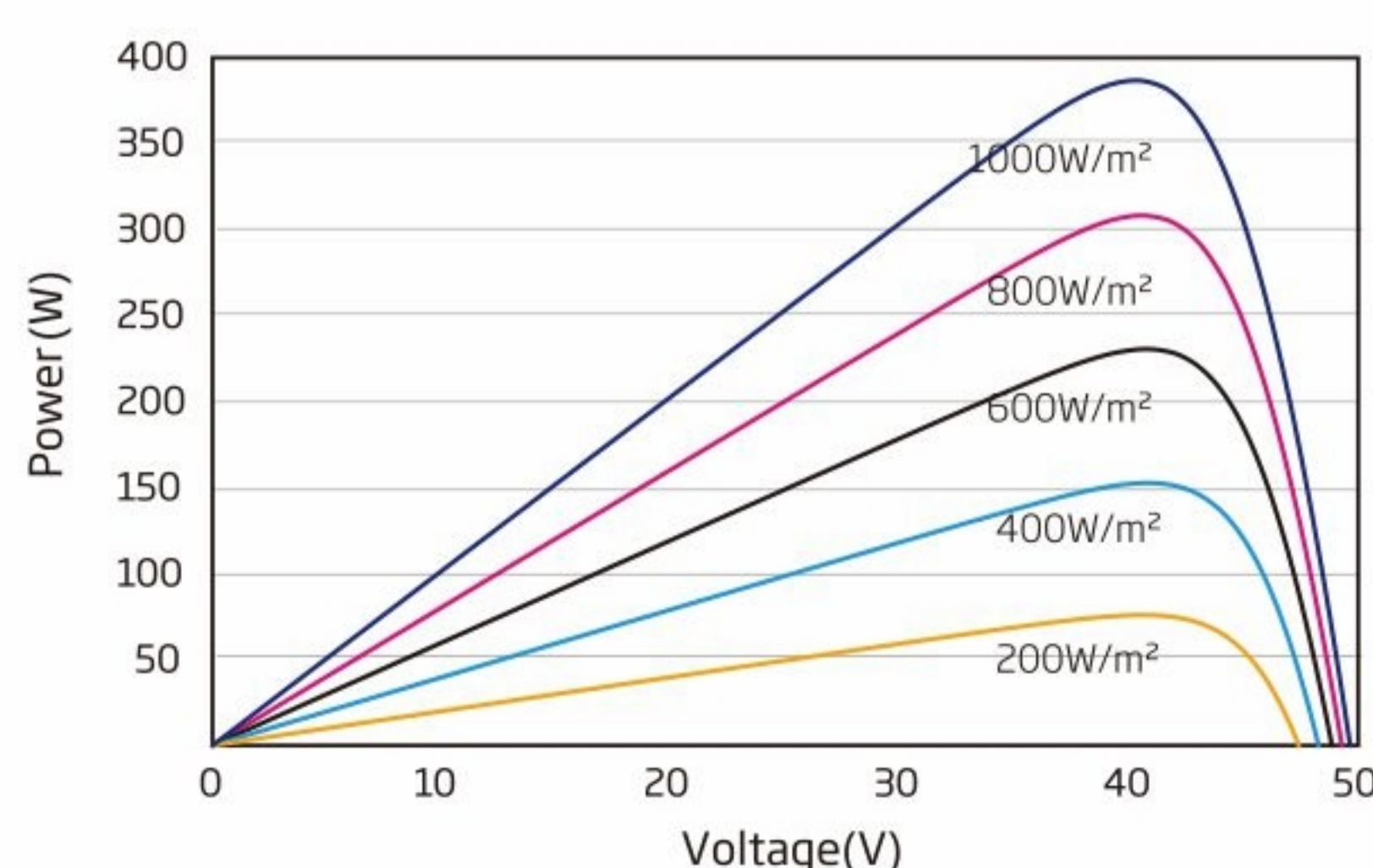


A-A

I-V CURVES OF PV MODULE(390W)



P-V CURVES OF PV MODULE(390W)



ELECTRICAL DATA (STC)

Peak Power Watts- P_{MAX} (Wp)	380	385	390	395	400	405	410
Power Output Tolerance- P_{MAX} (W)	0 ~ +5						
Maximum Power Voltage- V_{MPP} (V)	39.6	40.1	40.5	40.8	41.1	41.4	41.7
Maximum Power Current- I_{MPP} (A)	9.59	9.61	9.64	9.69	9.74	9.79	9.84
Open Circuit Voltage- V_{OC} (V)	48.1	48.5	49.7	50.1	50.4	50.8	51.2
Short Circuit Current- I_{SC} (A)	9.99	10.05	10.08	10.15	10.20	10.25	10.30
Module Efficiency η_m (%)	18.7	18.9	19.2	19.4	19.7	19.9	20.1

STC: Irradiance 1000W/m², Cell Temperature 25°C, Air Mass AM1.5.
*Measuring tolerance: ±3%.

ELECTRICAL DATA (NOCT)

Maximum Power- P_{MAX} (Wp)	287	291	295	298	302	306	310
Maximum Power Voltage- V_{MPP} (V)	37.4	37.9	38.4	38.7	38.9	39.1	39.3
Maximum Power Current- I_{MPP} (A)	7.66	7.67	7.68	7.71	7.76	7.81	7.86
Open Circuit Voltage- V_{OC} (V)	44.4	45.6	46.8	47.2	47.4	47.6	47.8
Short Circuit Current- I_{SC} (A)	8.05	8.09	8.13	8.17	8.21	8.25	8.29

NOCT: Irradiance at 800W/m², Ambient Temperature 20°C, Wind Speed 1m/s.

MECHANICAL DATA

Solar Cells	Monocrystalline(158.75 × 158.75mm)
Cell Orientation	144 cells (6 × 12)
Module Dimensions	2024 × 1002 × 40 mm(79.69 × 39.45 × 1.57 inches)
Weight	23kg (50.7lb)
Glass	3.2mm (0.13 inches), High Transmission, AR Coated Heat Strengthened Glass
Encapsulant Material	EVA
Backsheet	White
Frame	40 mm (1.57 inches) Anodized Aluminium Alloy
J-Box	IP 68 rated
Cables	Photovoltaic Technology Cable 4.0mm (0.006 inches), Portrait: N 140mm/P 285mm(5.51/11.22inches) Landscape: N 1200 mm /P 1200 mm (47.24/47.24 inches)
Connector	MC4, QC4

NOCT (Nominal Operating Cell Temperature)	41°C (±3°C)
Temperature Coefficient of P_{MAX}	-0.37%/°C
Temperature Coefficient of V_{OC}	-0.29%/°C
Temperature Coefficient of I_{SC}	0.05%/°C

Operational Temperature	-40~+85°C
Maximum System Voltage	1500V DC (IEC)
Max Series Fuse Rating	20A

(DO NOT connect Fuse in Combiner Box with two or more strings in parallel connection)

WARRANTY

- 10 year Product Workmanship Warranty
- 25 year Linear Power Warranty

Note: Please read the safety and installation instructions before using the product. Anhui Tunghsu Kangtu Solar Technology Co., Ltd. All rights reserved. Specifications of this data sheet are subject to change without further notice.

PACKAGING CONFIGURATION

- Modules per box: 27 pieces
- Modules per 40' container: 594 pieces



Add : Meishan Lake Road, Modern Industrial Park, Jinzhai County, Lu'an City, Anhui Province
Tel : +86-564-7069082
Mobile : +86-564-7069082
P.C. : 237300
E-mail : dxkt@dong-xu.com