

4900

PESP ALUMIN

Rooftop aluminium supporting
structures for solar panels

without registration



sales.pespa@pespagroup.com



Website: www.pespagroup.com



Address: Lagjia 14, Shkozet Durres, Albania



Pespa Alumin



Pespa Alumin

4900

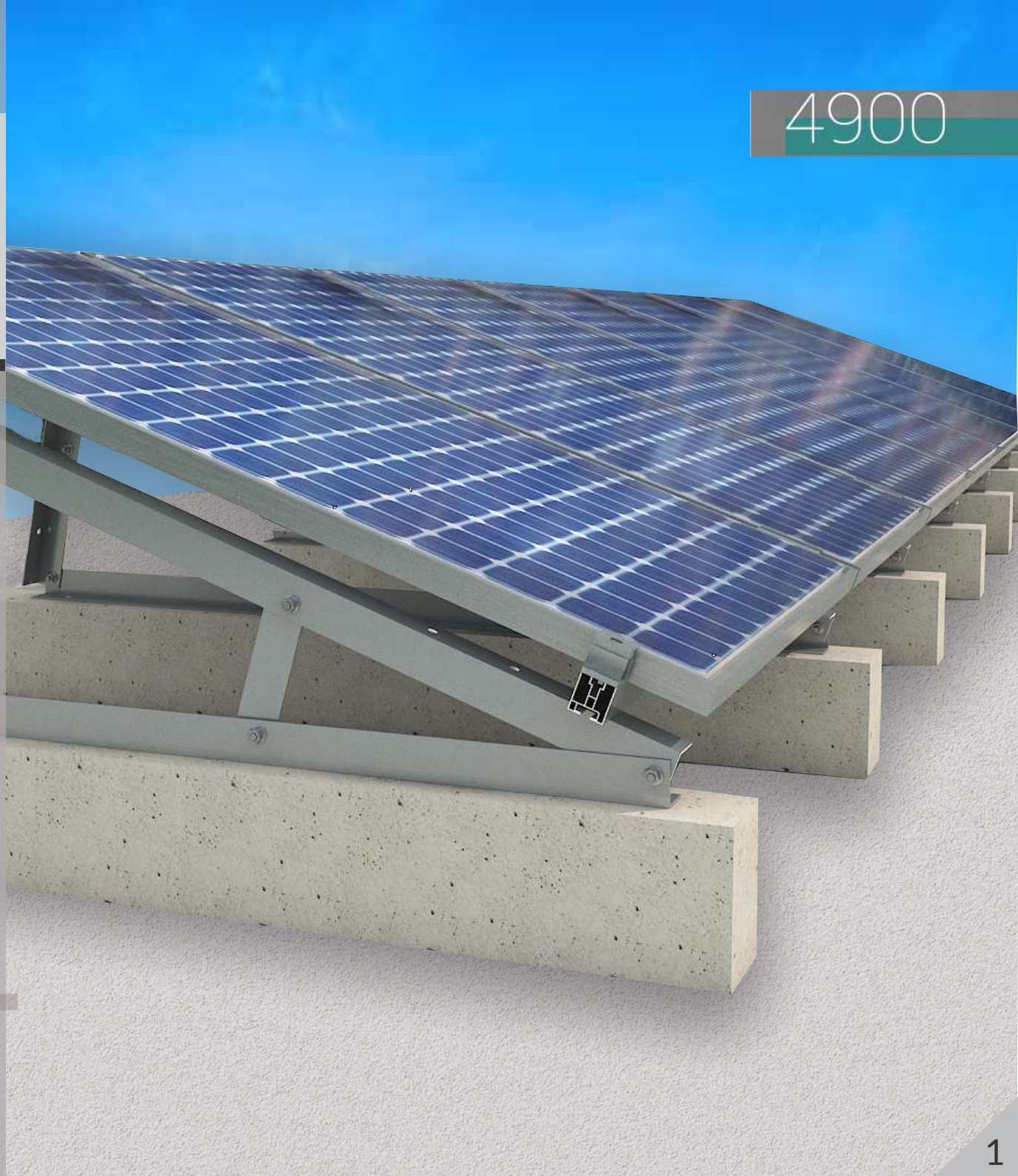
PROFILES, ACCESSORIES AND KITS OF ALUMINUM SUPPORTING STRUCTURES FOR ROOFTOP SOLAR PANELS without registration

➤ This type of flat roof solar mounting structures is one of the most convenient and lightweight option we produce. It is made out of an aluminum "L" shaped profile with 50x50 mm dimensions.

➤ The triangle mounting structure has a fixed angle inclination (non-adjustable) that can start from 15/25 degrees.

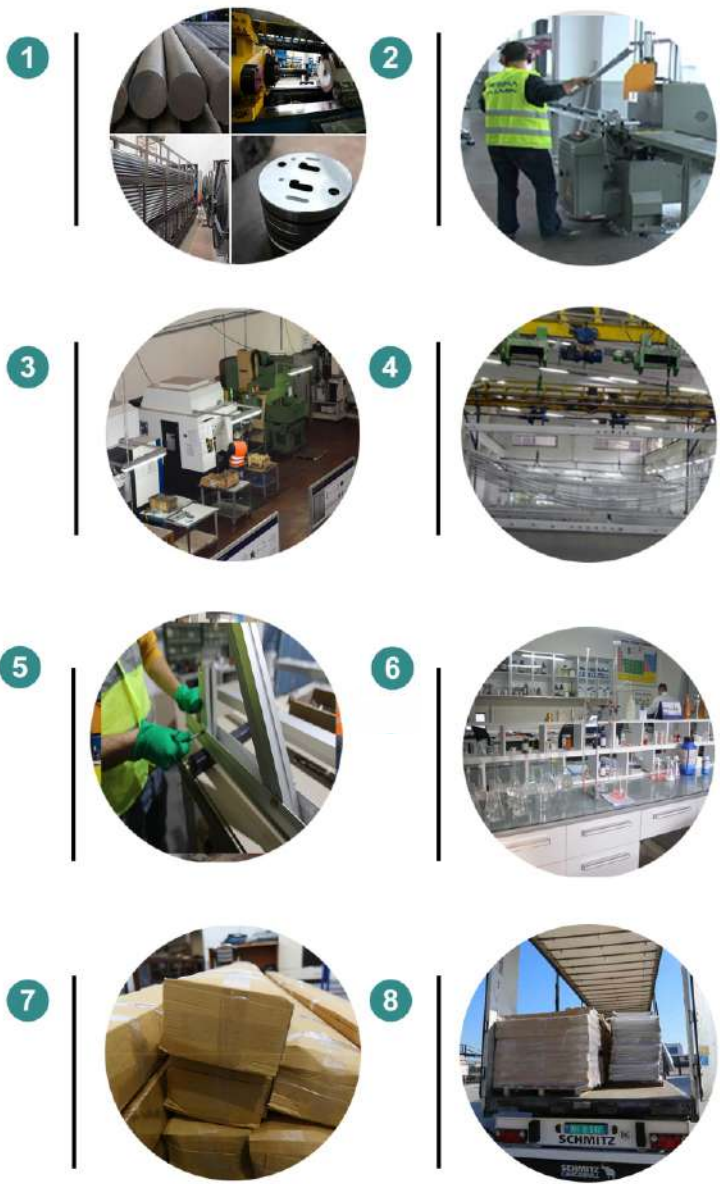
➤ The dimensions of the triangles start from 1.4 m to 6.4 m (able to hold 1 to 4 panels). The system is complete with the entire range of horizontal profiles and accessories.

Our manufacturing capacity is not only limited producing this standard solar structure for flat roof but also gives the customer freedom to customize its own product including their specific drawings and requests regarding the triangle structures, angle, profiles and accessories, technical properties and to reach needed static requirements.



PRODUCTION CYCLE

ALUMINIUM SUPPORTING STRUCTURES FOR PHOTOVOLTAIC SYSTEMS



The production cycle of this product consists in:

- 1 **Extrusion of profiles-** Aluminum profiles production in extrusion presses
- 2 **Cutting and working center process-** Cutting of aluminium profiles according to the dimensions and designs and processing in working centers.
- 3 **Aluminium accessories manufacturing-** production of the accessories through processes such as milling, drilling, turning, threading and adjusting.
- 4 **Anodizing of aluminum profiles and accessories-** surface treatment with anodizing
- 5 **Assembling-** Assembly of modules and kits to be installed as per customised design
- 6 **Quality Control**
- 7 **Packaging and storage**
- 8 **Transport**



OUR PHOTOVOLTAICS ASSEMBLY UNITS

With 15 years of experience in photovoltaics industry serving our partners and clients high-quality Aluminum Supporting Structures for Photovoltaic Systems, we have always been very flexible when it comes to customized projects consisting in accessories, profiles and kits.

Our photovoltaics assembly units are carefully on customized requests adapted based on many years of production and assembly of various systems of aluminium supporting structures for photovoltaics system such as:

Ground mounting systems, living, industrial and residential terrace buildings and on houses and business premises roofs.

Pespa Alumin has been operating in full compliance with European standard for carrying out processes and products such as:

Design, production and trade of aluminum mounting structures for the installation of solar panels and photovoltaic systems for solar energy.

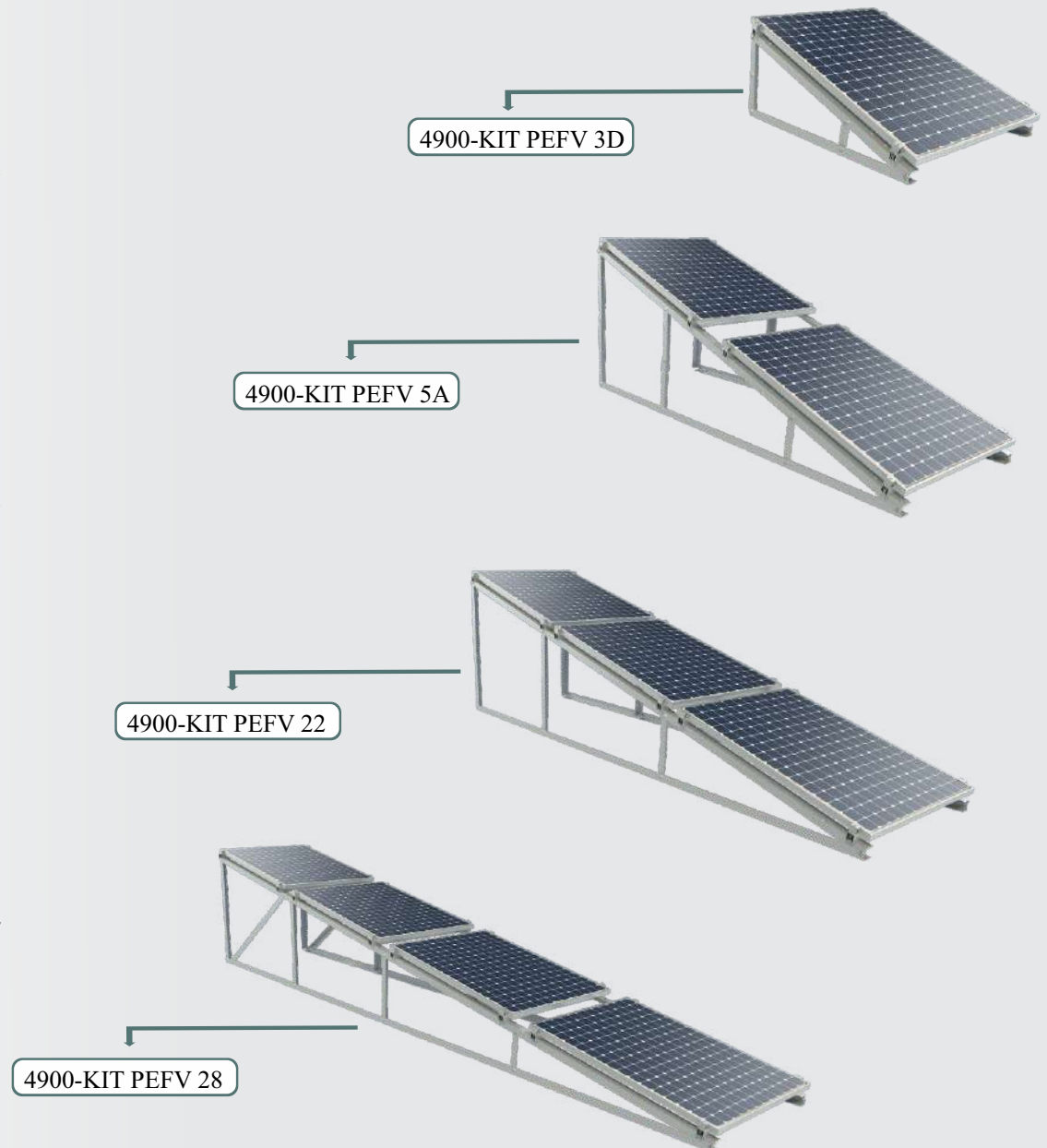


Solar panel terrace and roof top aluminium mounting structures are suited for practically usage and it offers a cost-effective and straightforward solution for all solar modules.

The designs and sizes can be tailored to meet customized project needs. As a material, aluminum alloy will ensure that this roof solar mount project will be long-lasting, durable, easy to install, maintenance-free, and cost-effective.

An on-roof system is by far the most prevalent type of solar panel installation. This is the most affordable product line for terraces with static angles in various grades.

It is completed with the full range of horizontal profiles and accessories used for holding PV panels and also in the form of preassembled kits for holding panels starting from 1.4- 6.4 meters.





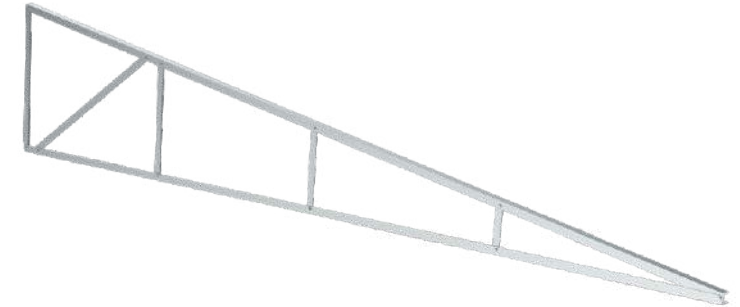
4900-MBA-KIT PEFV 3D

Solar fixed angle frame kit with length 1.4 LM



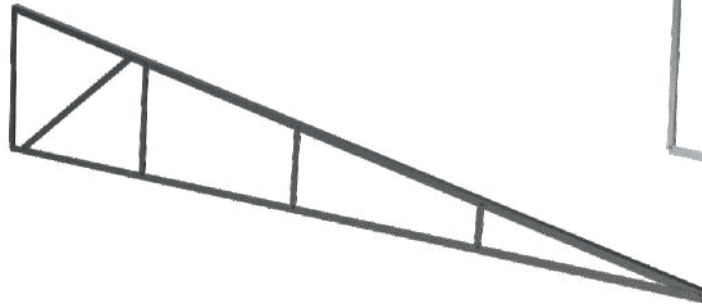
4900-MZI-KIT PEFV 3D

Black solar fixed angle frame kit with length 1.4 LM



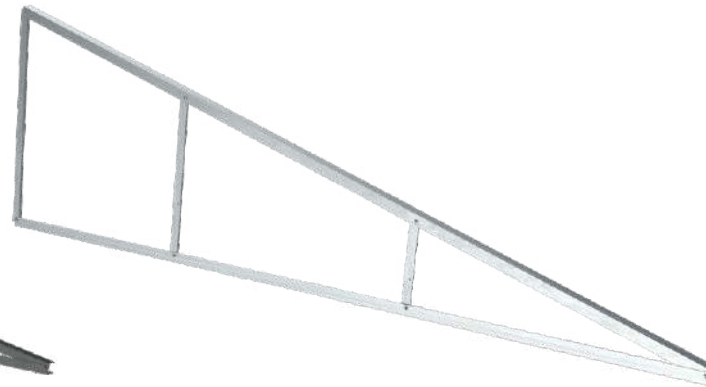
4900-MBA-KIT PEFV 28

Solar fixed angle frame kit with length 2 LM



4900-MZI-KIT PEFV 28

Black solar fixed angle frame kit with length 2 LM



4900-MBA-KIT PEFV 22

Solar fixed angle frame kit with length 4.5 LM



4900-MZI-KIT PEFV 22

Black solar fixed angle frame kit with length 4.5 LM



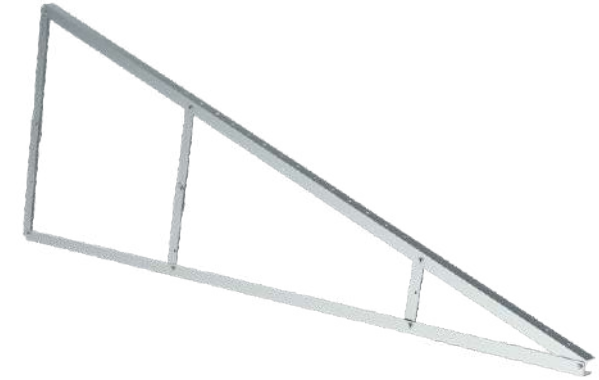
4900-MBA-KIT PEFV 67

Solar fixed angle frame kit with length 4 LM



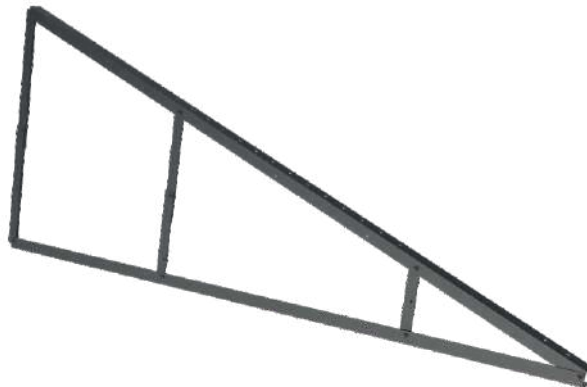
4900-MZI-KIT PEFV 67

Black solar fixed angle frame kit with length 4 LM



4900-MBA-KIT PEFV 5A

Solar fixed angle frame kit with length 3.2 LM



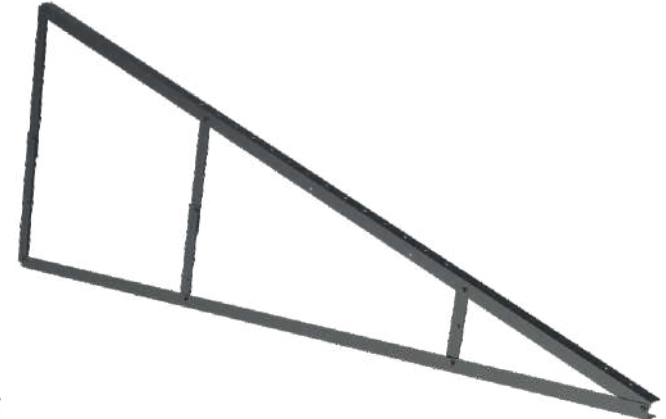
4900-MZI-KIT PEFV 5A

Black solar fixed angle frame kit with length 3.2 LM



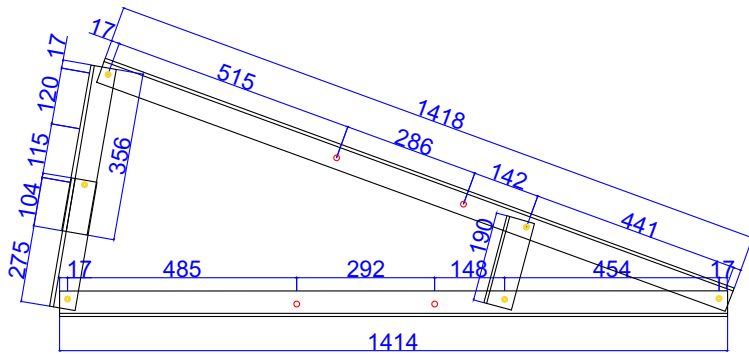
4900-MBA-KIT PEFV 68

Solar fixed angle frame kit with length 2 LM



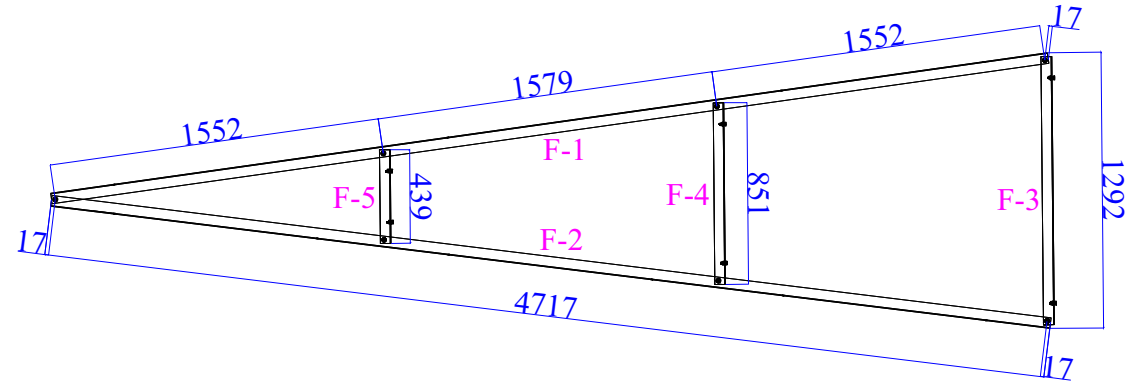
4900-MZI-KIT PEFV 68

Black solar fixed angle frame kit with length 2 LM



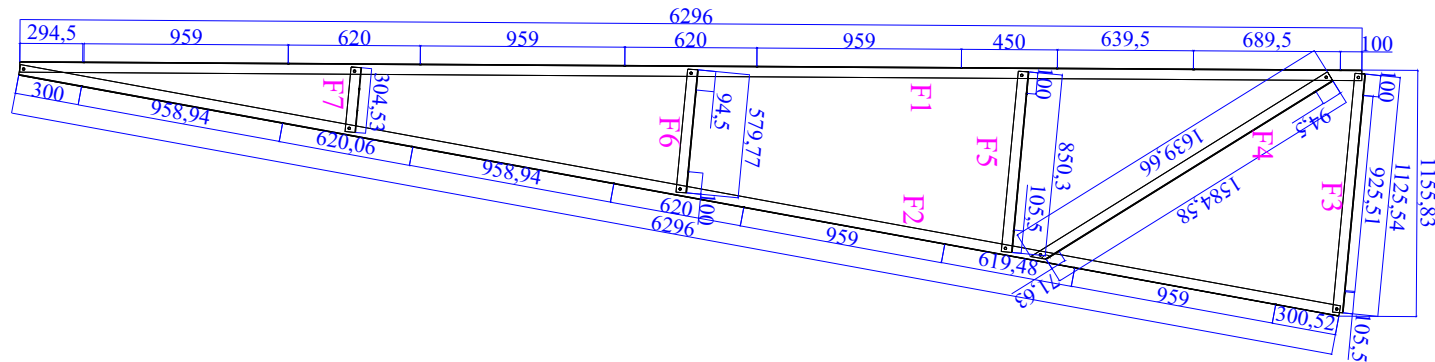
4900-MBA-KIT-PEFV-3D

Standard weight 2994 GR/LM



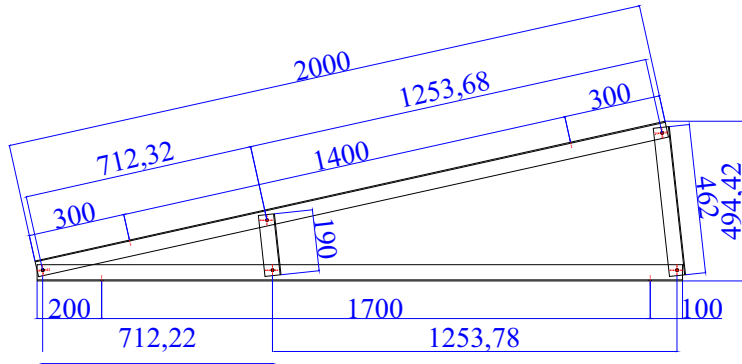
4900-MBA-KIT-PEFV-22

Standard weight 9436 GR/LM



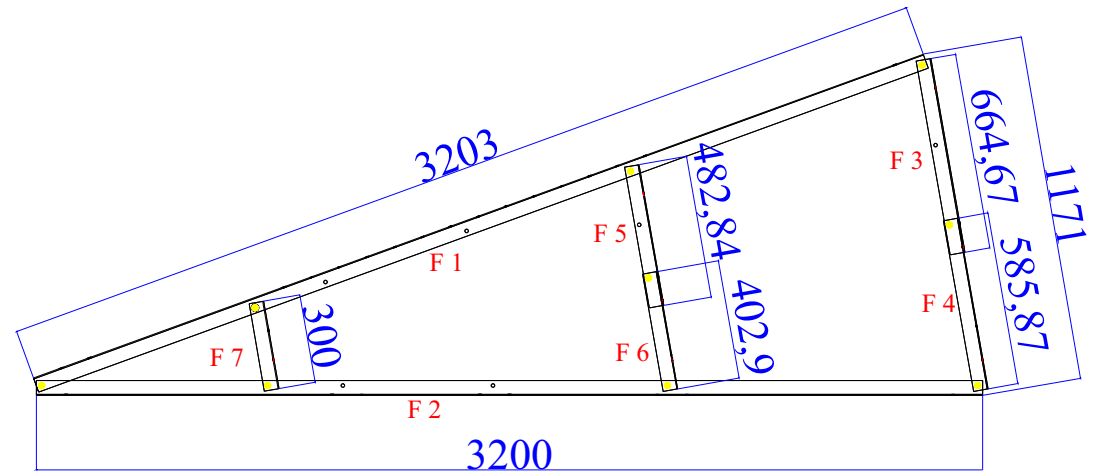
4900-MBA-KIT-PEFV-28

Standard weight 14016 GR/ML



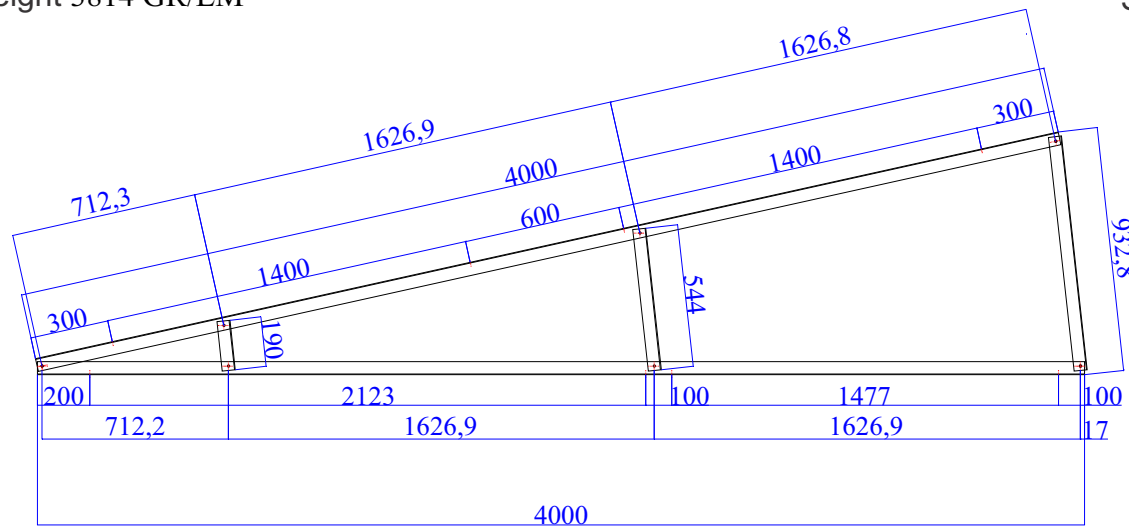
4900-MBA-KIT-PEFV-68

Standard weight 3814 GR/LM



4900-MBA-KIT-PEFV-5A

Standard weight 7248 GR/ML



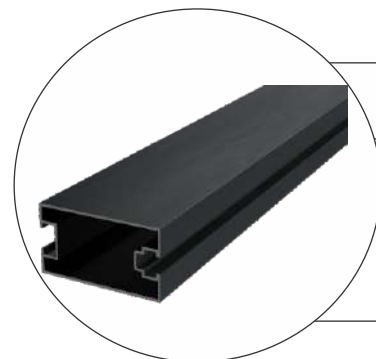
4900-MBA-KIT-PEFV-67

Standard weight 8731 GR/LM



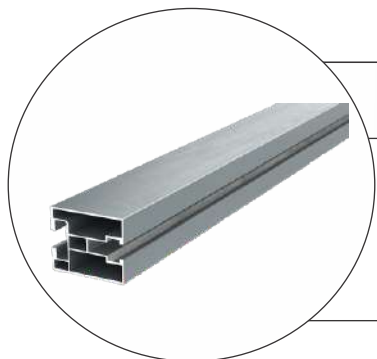
4900-PEGA-MBA-4028

Aluminium solar mounting profile 40×80 mm, 6 LM standard length, with 1.5 mm thickness



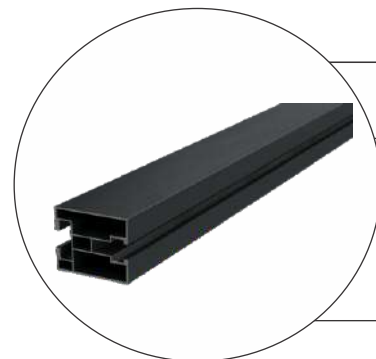
4900-PEGA-MZI-4028

Black aluminium solar mounting profile 40×80 mm, 6 LM standard length, with 1.5 mm thickness



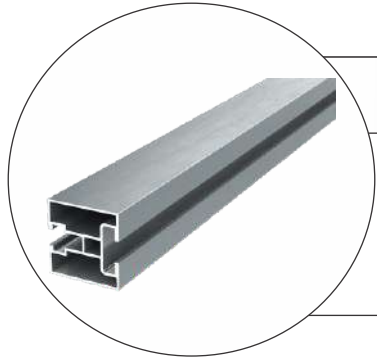
4900-PEGA-MBA-3804

Aluminium solar mounting profile 40×45 mm, 6 LM standard length



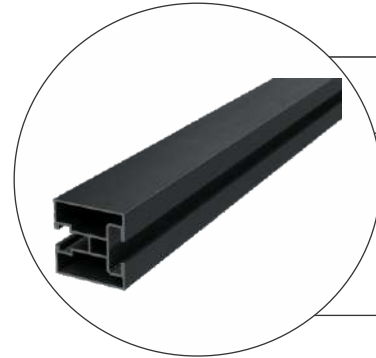
4900-PEGA-MZI-3804

Black aluminium solar mounting profile 40×45 mm, 6 LM standard length



4900-PEGA-MBA-3956

Aluminium solar mounting profile 40×45 mm, 6 LM standard length, with 1.5 mm thickness



4900-PEGA-MZI-3956

Black aluminium solar mounting profile 40×45 mm, 6 LM standard length, with 1.5 mm thickness

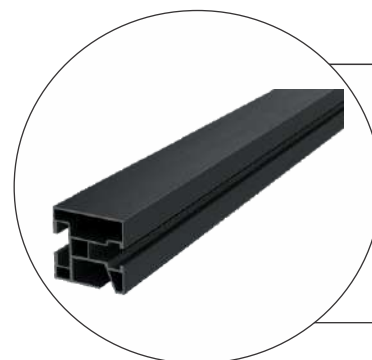
Technical additional information

- ◆ System of aluminium and profiles: Rooftop aluminium supporting structures
- ◆ Raw material: Primary aluminium alloy 6060/6063 - **Provided in: Mill finished, natural anodized and black anodized**
- ◆ Fixing type: Mounting on roof



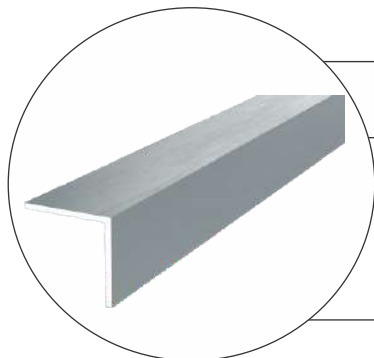
4900-PEGA-MBA-2675

Aluminium solar mounting profile 40×45 mm, 6 LM standard length, with 1.5 mm thickness



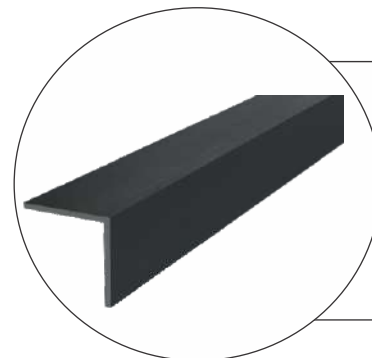
4900-PEGA-MZI-2675

Black aluminium solar mounting profile 40×45 mm, 6 LM standard length, with 1.5 mm thickness



4900-PEGA-MBA-2613

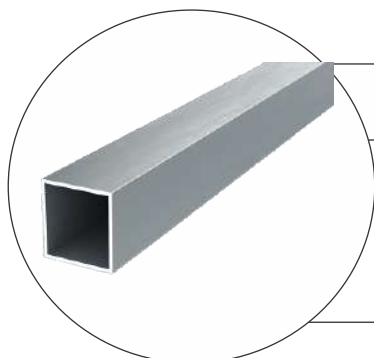
Aluminium solar "L" profile 50×50 mm, 6 LM standard length, with 3 mm thickness



4900-PEGA-MZI-2613

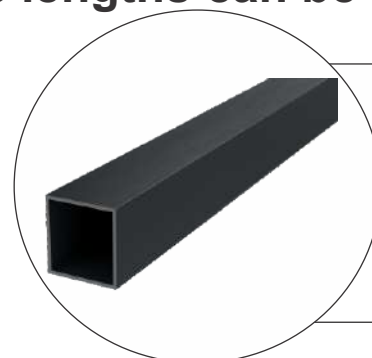
Black aluminium solar "L" profile 50×50 mm, 6 LM standard length, with 3 mm thickness

Note: Various profiles lengths can be made according to the order.



4900-PEGA-MBA-4038

Aluminium solar mounting profile 45×45 mm, 6 LM standard length, with 2 mm thickness

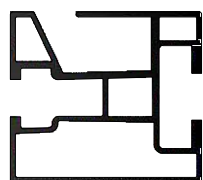


4900-PEGA-MZI-4038

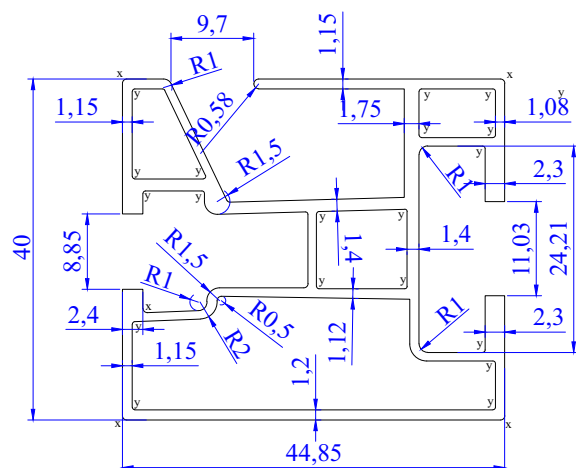
Black aluminium solar mounting profile 45×45 mm, 6 LM standard length, with 2 mm thickness

Technical additional information

- ◆ System of aluminium and profiles: Rooftop aluminium supporting structures
- ◆ Raw material: Primary aluminium alloy 6060/6063 - **Provided in: Mill finished, natural anodized and black anodized**
- ◆ Fixing type: Mounting on roof

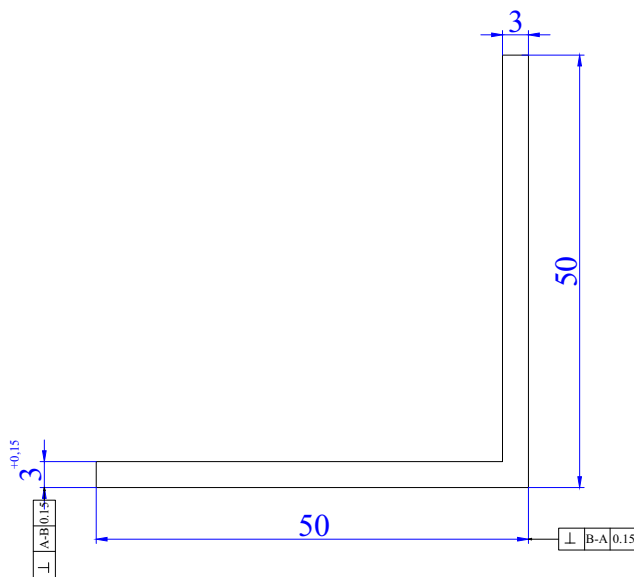


Scale 1:1



4900-PEGA-MBA-2675

Specific weight 998 GR/LM-1068 GR/LM

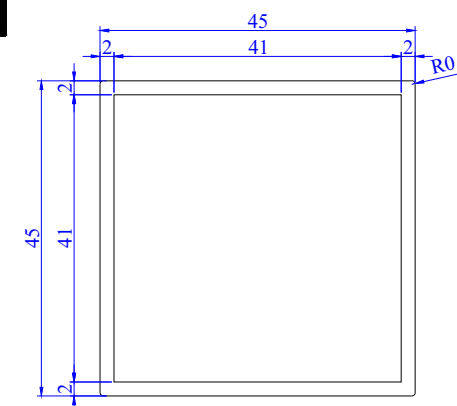


4900-PEGA-MBA-2613

Specific weight 800 GR/LM

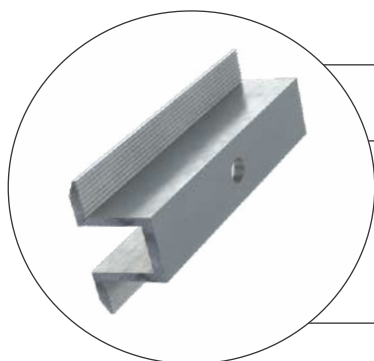


Scale 1:1



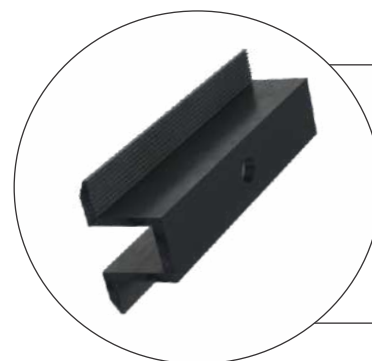
4900-PEGA-MBA-4038

Specific weight 978 GR/LM-1046 GR/LM



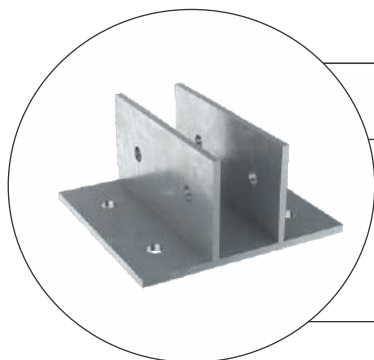
4900-PEGA-MBA-3824/100

Aluminium solar mid clamp for solar panel fixing with cutting 100 mm



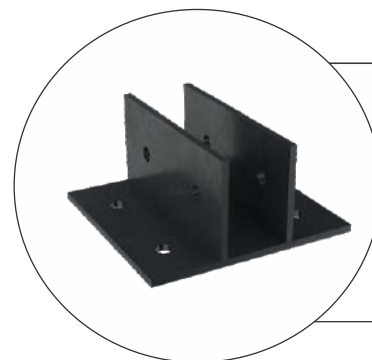
4900-PEGA-MZI-3824/100

Black aluminium solar mid clamp for solar panel fixing with cutting 100 mm



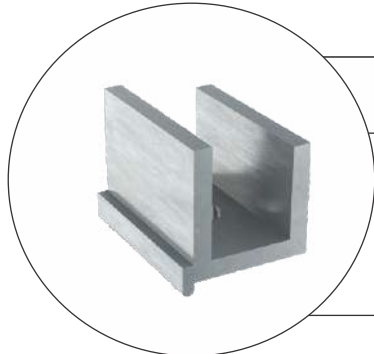
4900-PEGA-MBA-4039/147

Aluminium solar for panel kit structure base plate with a 147 mm cut



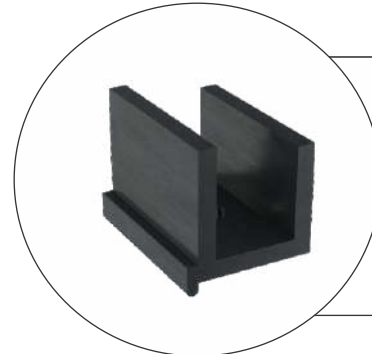
4900-PEGA-MZI-4039/147

Black aluminium solar for panel kit structure base plate with a 147 mm cut



4900-PEGA-MBA-3936/40

Aluminium solar fixing accessory with registration with a 40 mm cut

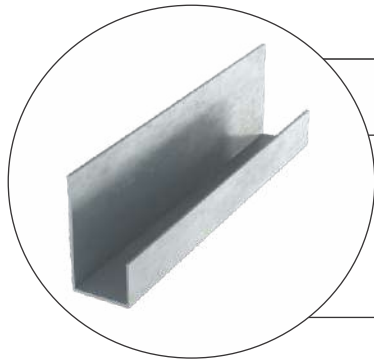


4900-PEGA-MZI-3936/40

Black aluminium solar fixing accessory with registration with a 40 mm cut

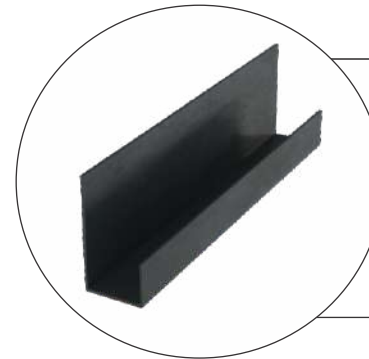
Technical additional information

- ◆ System of aluminium and profiles: Rooftop aluminium supporting structures
- ◆ Raw material: Primary aluminium alloy 6060/6063 - **Provided in: Mill finished, natural anodized and black anodized**
- ◆ Fixing type: Mounting on roof



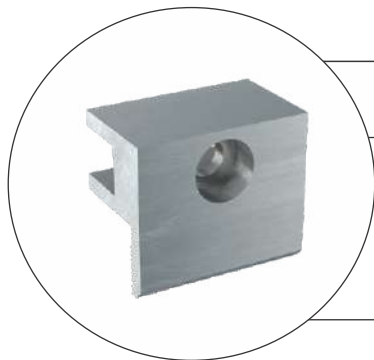
4900-PEGA-MBA-MR49010

Aluminium connector for solar mounting structure



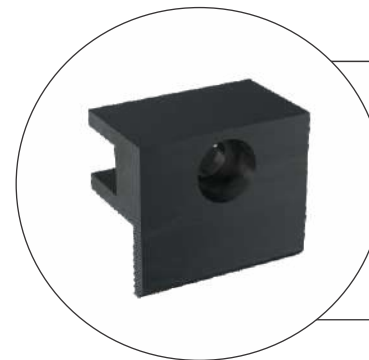
4900-PEGA-MZI-MR49010

Black aluminium connector for solar mounting structure



4900-PEGA-MBA-3937/40

Anodized aluminium solar fixing accessory with registration with a 40 mm cut

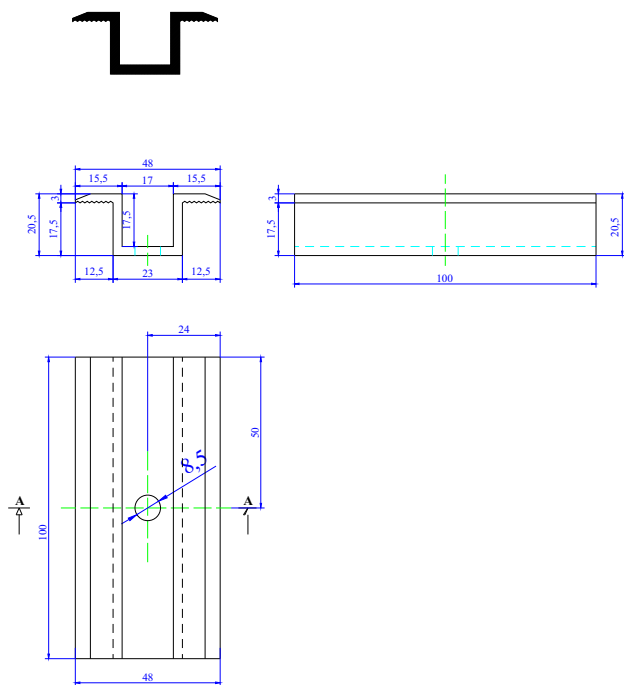


4900-PEGA-MZI-3937/40

Black aluminium solar fixing accessory with registration with a 40 mm cut

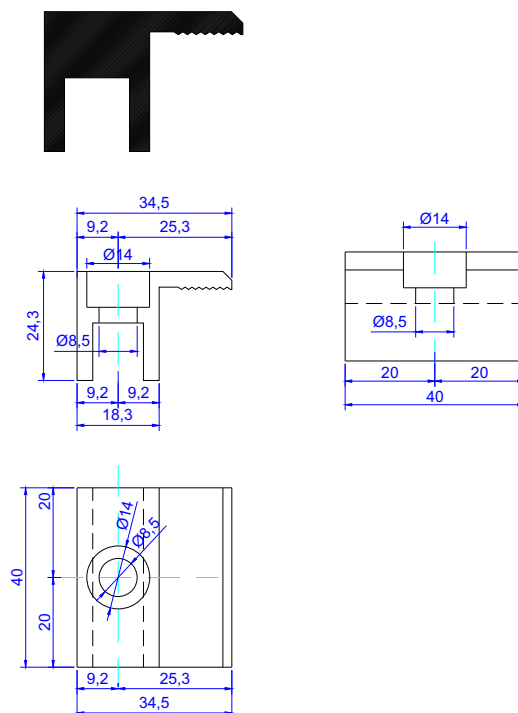
Technical additional information

- ◆ System of aluminium and profiles: Rooftop aluminium supporting structures
- ◆ Raw material: Primary aluminium alloy 6060/6063 - **Provided in: Mill finished, natural anodized and black anodized**
- ◆ Fixing type: Mounting on roof



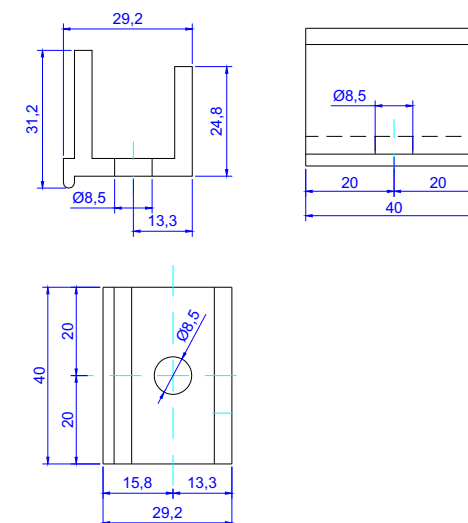
4900-PEGA-MBA-3824/100

Specific weight 63 GR



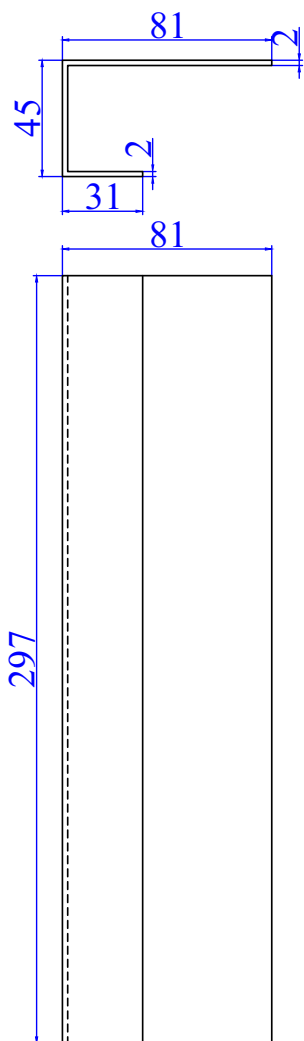
4900-PEGA-MBA-3937/40

Specific weight 39 GR



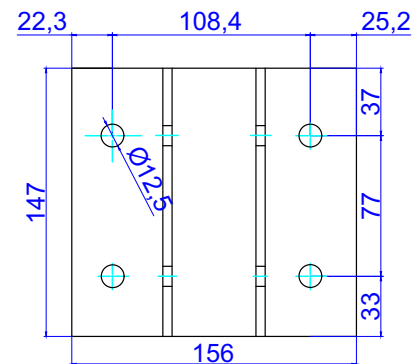
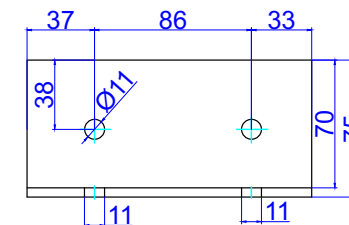
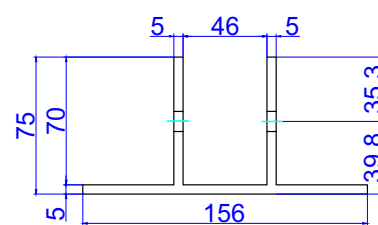
4900-PEGA-MBA-3936/40

Specific weight 33 GR



4900-PEGA-MBA-MR49010

Specific weight 246 GR



4900-PEGA-MBA-4039/147

Specific weight 59 GR

Our activity, services and products are certified for:

- ✓ Design, production and trade of aluminium shapes and accessories for civil and industrial applications. ventilated facades systems, handrails, shutters, fences, sunbreakers and components of interior and exterior furnishings systems
- ✓ Design, production and trade of aluminium structures for solar panels.
- ✓ Design, production and trade of precast aluminium structures for the construction of civil and industrial accommodation modules and relative assembly.

QUALANOD LICENCE FOR ARCHITECTURE ANODISING

PESPA ALUMIN is authorized to use the quality sign, according to the regulations for the use of the quality label for ARCHITECTURAL ANODIZING



QUALANOD LICENCE FOR INDUSTRIAL ANODISING

PESPA ALUMIN is authorized to use the quality sign, according to the regulations for the use of the quality label for INDUSTRIAL ANODIZING.



ISO 14001:2015 - ENVIRONMENTAL MANAGEMENT SYSTEM

Pespa Alumin has implemented and maintains an environmental system which fulfills the requirements of the standard in all the operative units.



ISO 45001:2018 - HEALTH AND SAFETY MANAGEMENT SYSTEM

Pespa Alumin has implemented and maintains in compliance with the standard for its activity.



ISO 9001:2015 - QUALITY MANAGEMENT SYSTEM

Pespa Alumin is a certified organisation which fulfills the requirements of the standard.



CE EN 1090-1:2009+A1:2011

In compliance with Regulation (EU) No. 305/2011 of the European Parliament this certificate applies to the construction product: Structural components and kits for aluminium structures



STANDARD EN 1090-1 / EN 1090-3 CERTIFICATE: WELDED ALUMINIUM COMPONENTS FOR STRUCTURAL WORKS
 Standard – technical requirements - EN 1090-1 / EN 1090-3 Execution class(es) - EXC1; EXC2; EXC3; EXC4 Method(s) CE marking – 2; 3a; 3b Welding process(es) - 131; 141 EN ISO 4063 Parent material(s) - Groups: 23.1 ISO/TR 15608





sales.pespa@pespagroup.com



Website: www.pespagroup.com



Address: Lagjia 14, Shkozet Durrës, Albania



Pespa Alumin



Pespa Alumin

