

SOLAR LEADING

To a better future

SL6P54-225W-240W

Polycrystalline Photovoltaic Module



15.30-16.30%
MAXIMUM EFFICIENCY

225-240W
POWER OUTPUT RANGE

54 CELL
POLYCRYSTALLINE MODULE

0~+5W
POSITIVE OUTPUT GUARANTEE



Excellent low light performance on cloudy days, mornings and evenings

- Anti-reflective coating



Great aesthetics for residential applications

- High efficiency, lower weight, Easy handling and optimum utilization of roof space



Certified to withstand challenging environmental conditions

- 2400 Pa wind load
- 5400 Pa snow load
- 35mm hail stone at 97 km/hr



IP68 connectors enhance the reliability of the PV system



Blowing sand resistance certification



Anti-PID



Fire test certification



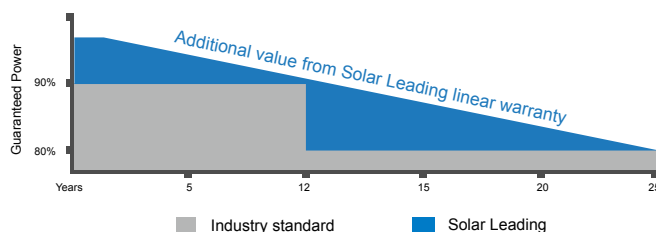
Ammonia corrosion certification



Salt mist corrosion certification

LINEAR PERFORMANCE WARRANTY

12 Year Product Warranty 25 Year Linear Power Warranty



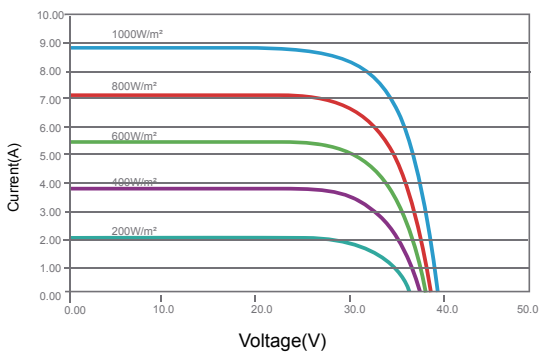
Electrical Characteristics

Characteristics	Unit	SL6P54-225W	SL6P54-230W	SL6P54-235W	SL6P54-240W
Maximum Power (Pmax)	W	225	230	235	240
Power Tolerance	W	(0, +5)	(0, +5)	(0, +5)	(0, +5)
Maximum Power Voltage (Vmp)	V	28.0	28.5	28.8	29.0
Maximum Power Current (Imp)	A	8.03	8.08	8.17	8.24
Open Circuit Voltage (Voc)	V	33.4	34.0	34.3	34.5
Short Circuit Current (Isc)	A	8.58	8.63	8.71	8.78
Module Efficiency (ηm)	%	15.30	15.64	15.98	16.32
Dimension of module	mm	1480×992×40mm (64.6×39.1×1.6inch)			
Pmax Temperature Coefficient	%/C	-0.44			
Voc Temperature Coefficient	%/C	-0.32			
Isc Temperature Coefficient	%/C	+0.04			
Maximum System Voltage	VDC	1000(TUV);600(UL)			
Maximum Series Fuse Rating	A	15			
Operating Temperature	°C	-40 ~ +85			
NOCT	°C	45±2			

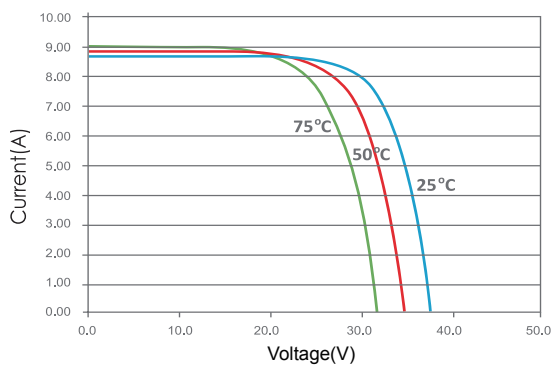
STC:1000W/m².AM1.5 and 25 °C cell temperature: NOCT : Nominal Operating Cell Temperature

I-V Curves

I-V Curves of PV Module SL6P54-225W
(Cell Temp. 25 °C)

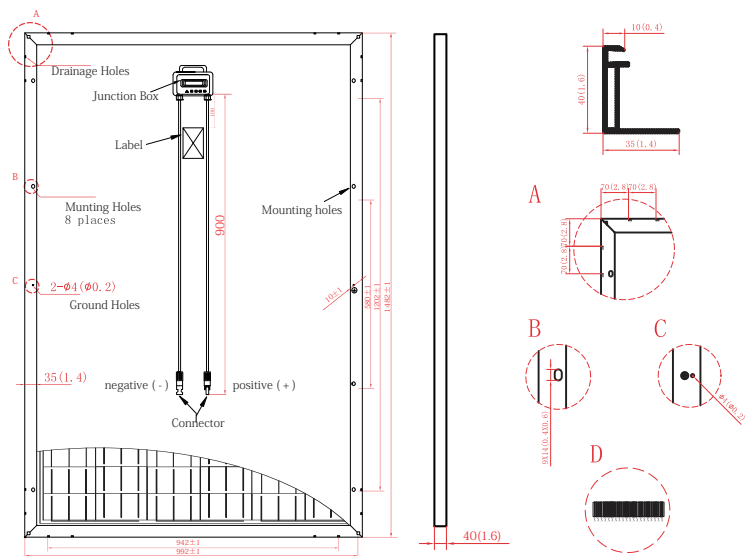


I-V Curves of PV Module SL6P54-225W
at Different Cell Temp. (AM1.5, 1000W/m²)



Physical Characteristics

Unit:mm(inch)



Cell Type	156mm x 156mm, monocrystalline Silicon
No. of Cells	54pcs (6x9)
Dimension	1480x992x40mm (64.6x39.1x1.6inch)
Weight	15.0kg (41.9lbs.)
Cable Length	900mm (35.4inch)
Bypass Diodes	6/3pcs
Junction Box	IP65/IP68
Front Glass	3.2mm (0.1inch) tempered low-iron glass
Frame	Anodized aluminum alloy

* Specifications are subjected to change without further notice

