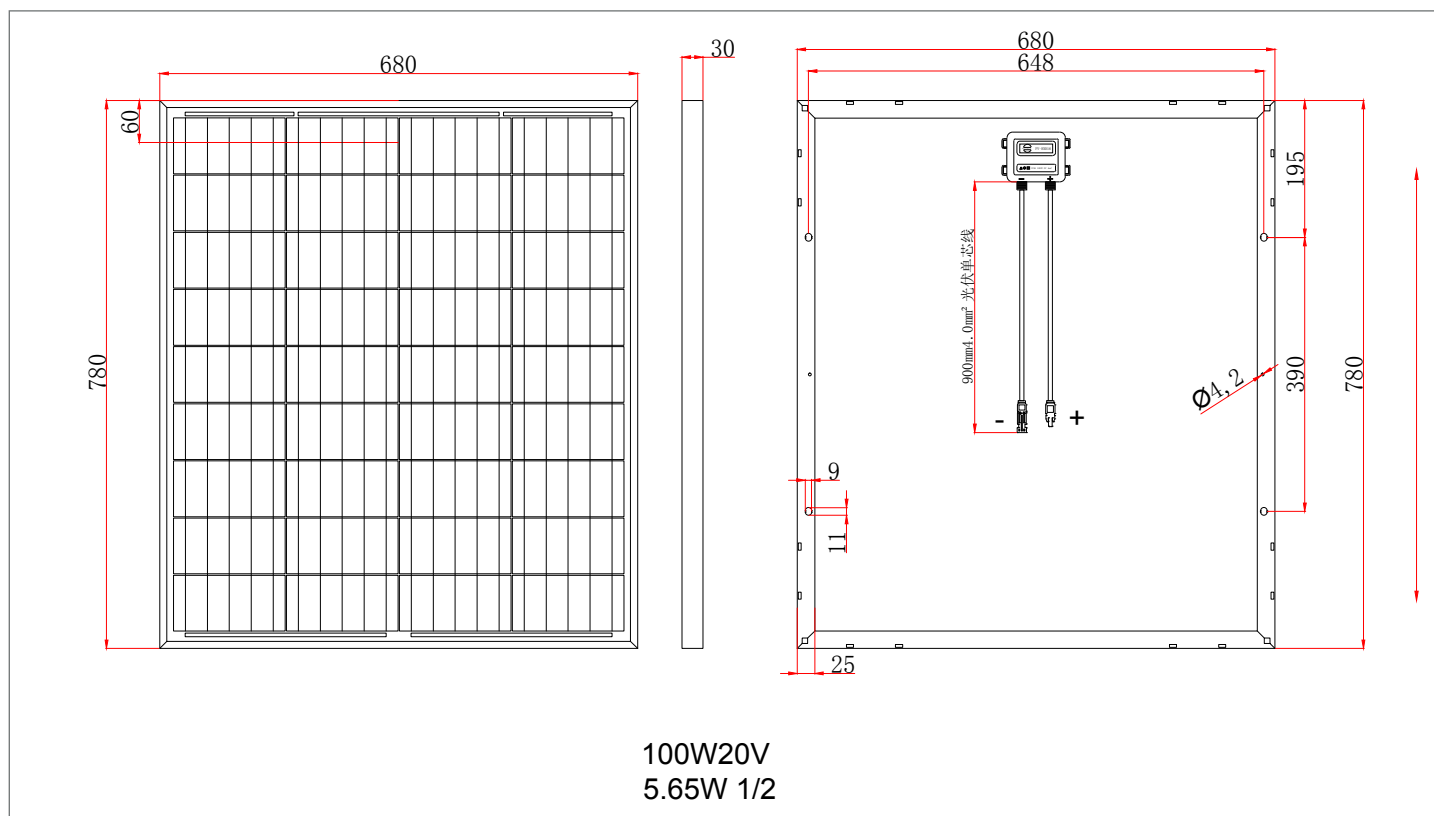


# SGM-100W

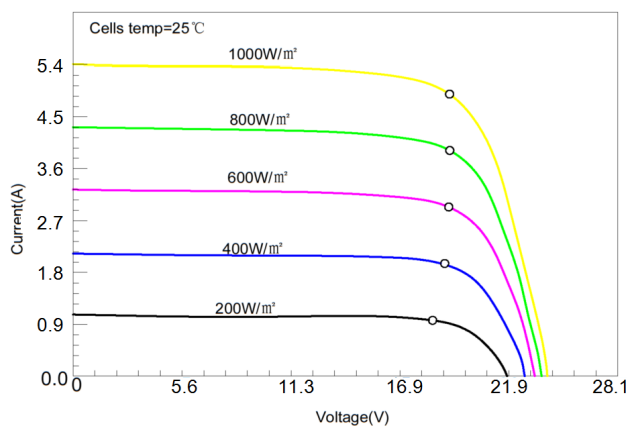
## Monocrystalline Solar Panel (SGM Series)



### Module Diagram



### Electrical Characteristics



Maximum power(Pmax)	100W
Open-circuit voltage(Voc)	23.3
Voltage at Pmax(Vmp)	19.8
Short-circuit current(Isc)	5.45
Current at Pmax(Imp)	5.05
Cells Efficiency(%)	22.42%
The maximum system voltage	1000VDC(IEC)
Power temperature coefficient	-0.43%/°C
Voltage temperature coefficient	-0.34%/°C
Current temperature coefficient	0.05%/°C
Output power tolerance	±3%
Operating Temperature	-40~80°C



— Product details —

### Specifications

Solar cell brand	A grade solar cells
No.of cells and connections	36(4*9)
Module dimension	680*780*30mm
Waterproof junction box	IP65/IP67
Warranty	10 year and service life 25 years