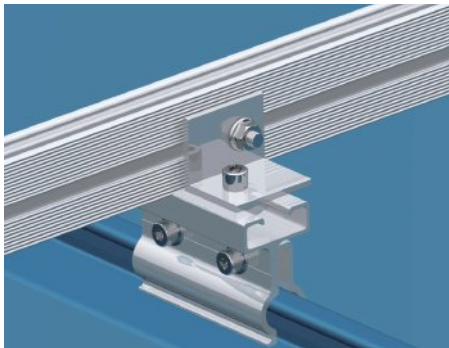


MRA2-RD

Tin roof mounting system

MRA2-RD The clip-on clamps eliminate the need of roof penetration on concealed type roofs.

10 Years



88 m/s

200 mm

Standard

JISC 8955:2017
GB 50009-2012
GB 50797-2012

Acceptance standard

gamcorp
Innovation in design and construction

Data

1. Material: AL6005-T5
2. Bolt material: SUS304
3. Wind load: 88m/s
4. Standard snow : 200mm
5. Max snow :800mm

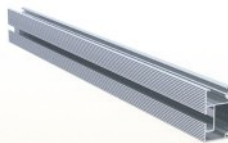
Components



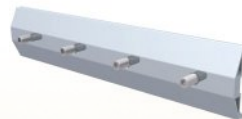
Cliplok AR02



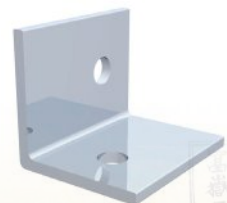
Allen bolt



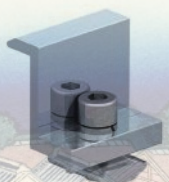
Rail



Rail joiner



Clip 59L00504



End clamp A840



Mid clamp A740

富士山
静かなる
山頂に
雲が
集まる
瞬間
を
捉え
たい