

AS-7M96-HC 350W~365W

MONOCRYSTALLINE MODULE

ADVANCED PERFORMANCE & PROVEN ADVANTAGES

- High module conversion efficiency up to 20.77% by using innovative Half-cell design and Multi-busbar(MBB) cell technology.
- Low temperature coefficient and excellent performance under high temperature and low light conditions.
- Robust aluminum frame ensures the modules to withstand wind loads up to 2400Pa and snow loads up to 5400Pa.
- High reliability against extreme environmental conditions (passing salt mist, ammonia and hail tests).
- Potential induced degradation (PID) resistance.

CERTIFICATIONS

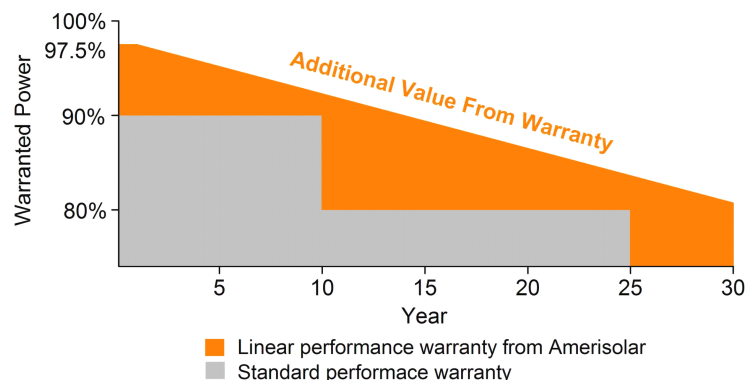
- IEC 61215, IEC 61730, CE
- ISO 9001:2015: Quality management system
- ISO 14001:2015: Environmental management system
- ISO 45001:2018: Occupational health and safety management system



SPECIAL WARRANTY

- 20 years product warranty
- 30 years linear power output warranty

Passionately
committed to
delivering innovative
energy solution



ELECTRICAL CHARACTERISTICS AT STC

Maximum Power (P_{max})	350W	355W	360W	365W
Open Circuit Voltage (V_{OC})	32.8V	33.0V	33.2V	33.4V
Short Circuit Current (I_{SC})	13.64A	13.71A	13.78A	13.85A
Voltage at Maximum Power (V_{mp})	27.4V	27.6V	27.8V	28.0V
Current at Maximum Power (I_{mp})	12.78A	12.87A	12.95A	13.04A
Module Efficiency (%)	19.91	20.20	20.48	20.77
Operating Temperature	-40°C to +85°C			
Maximum System Voltage	1000V DC/1500V DC			
Fire Resistance Rating	Type 1(in accordance with UL1703)/Class C(IEC61730)			
Maximum Series Fuse Rating	25A			

STC: Irradiance 1000W/m², Cell temperature 25°C, AM1.5; Tolerance of P_{max}: ±3%; Measurement Tolerance: ±3%

ELECTRICAL CHARACTERISTICS AT NOCT

Maximum Power (P_{max})	262W	266W	270W	274W
Open Circuit Voltage (V_{OC})	30.2V	30.4V	30.6V	30.8V
Short Circuit Current (I_{SC})	11.05A	11.11A	11.17A	11.23A
Voltage at Maximum Power (V_{mp})	24.9V	25.1V	25.3V	25.5V
Current at Maximum Power (I_{mp})	10.53A	10.60A	10.68A	10.75A

NOCT: Irradiance 800W/m², Ambient temperature 20°C, Wind Speed 1 m/s

MECHANICAL CHARACTERISTICS

Cell type	Monocrystalline PERC 182*91mm
Number of cells	96 (6x16)
Module dimensions	1550x1134x35mm (61.02x44.65x1.38inches)
Weight	19kg (41.9lbs)
Front cover	3.2mm (0.13inches) tempered glass with AR coating
Frame	Anodized aluminum alloy
Junction box	IP68, 3 diodes
Cable	4mm ² (0.006inches ²), Portrait: 300mm (11.81inches); Landscape: 1100mm (43.31inches)
Connector	MC4 or MC4 compatible

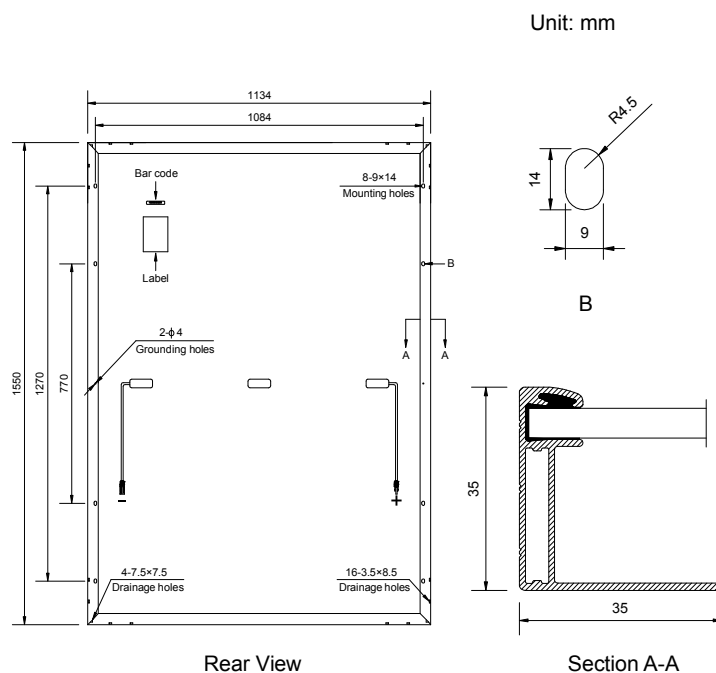
TEMPERATURE CHARACTERISTICS

Nominal Operating Cell Temperature (NOCT)	43°C±2°C
Temperature Coefficients of P_{max}	-0.36%/°C
Temperature Coefficients of V_{OC}	-0.28%/°C
Temperature Coefficients of I_{SC}	0.05%/°C

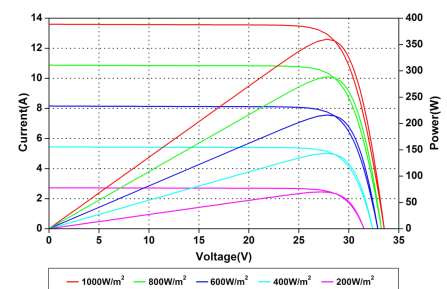
PACKAGING

Standard packaging	31pcs/pallet
Module quantity per 20' container	217pcs
Module quantity per 40' container	868pcs (HQ)

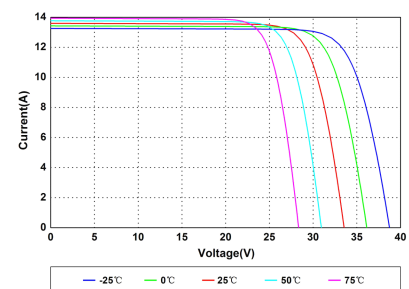
ENGINEERING DRAWINGS



IV CURVES



Current-Voltage and Power-Voltage Curves at Different Irradiances



Current-Voltage Curves at Different Temperatures

Specifications in this datasheet are subject to change without prior notice.