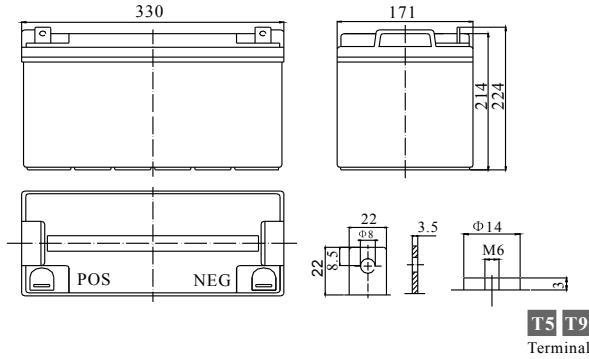


SOLAR Series 12V DC 100Ah

Dimension (mm)



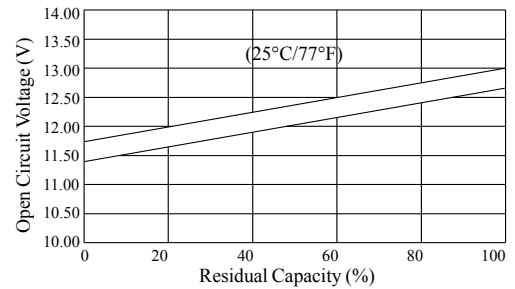
Specification

Nominal Voltage		12 V
Capacity(10HR, 25°C)		100 Ah
Dimension	Length	330 mm (13.0 inch)
	Width	171 mm (6.7 inch)
	Height	214 mm (8.4 inch)
	Total Height(T5/T9)	224mm(8.8 inch)/220mm(8.7 inch)
Approx. Weight		31 Kg (68.4 lbs)

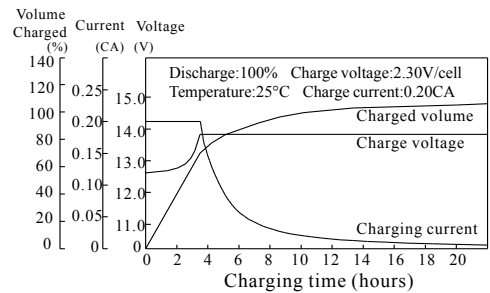
Characteristics

Capacity 20°C (68°F) to 1.70V/Cell	20 hour rate	107 Ah
	10 hour rate	100 Ah
	5 hour rate	91 Ah
	1 hour rate	62.4Ah
	15 min rate	42Ah
Internal resistance (Fully charged, 25°C)		Approx. 4.5mΩ
Capacity affected by temperature (10HR)	40°C	102%
	25°C	100%
	0°C	85%
	-15°C	65%
Self-discharge (25°C)	3 months	Remaining Capacity: 91%
	6 months	Remaining Capacity: 82%
	12 months	Remaining Capacity: 65%
Nominal operating temperature		25°C±3°C (77°F±5°F)
Operating temperature range		-15°C~50°C (5°F~122°F)
Float charging voltage(25°C)		13.50 to 13.80V
Cyclic charging voltage(25°C)		14.50 to 14.90V
Maximum charging current		30A
Terminal material		Copper
Maximum discharge current		800 A (5 Sec.)

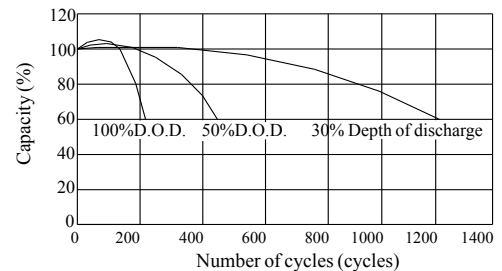
The Relationship for Open Circuit Voltage and Residual Capacity (25°C)



Charging Characteristics(25°C)



Cycle Life(25°C)



Constant Current Discharge Characteristics (A, 25°C)

FV/TIME	5min	10min	15min	30min	60min	3h	5h	10h	20h
9.60V	320	220	175	108	65.0	26.4	18.5	10.3	5.35
10.2V	304	209	168	104	62.4	26.0	18.2	10.2	5.35
10.8V	286	196	160	98.8	59.3	25.5	17.8	10.0	5.30

Constant Power Discharge Characteristics (Watt, 25°C)

	5min	10min	15min	30min	60min	3h	5h	10h	20h
	3360	2376	1922	1212	741	310	219	123	64.2
	3192	2257	1845	1167	711	306	215	122	64.2
	3003	2117	1757	1109	676	300	210	119	63.6

* Specifications make change due to upgrade and improvement.