

# Smart String Inverter

SUN2000-25/30KTL-US



## Smart

- 6 strings intelligent monitoring and fast trouble-shooting
- Power Line Communication (PLC) supported

## Efficient

- Max. efficiency 98.6%
- CEC. efficiency 98.0%
- 3 MPPT per unit, effectively reducing string mismatch

## Safe

- DC AFCI compliant to UL 1699B Type I
- Residual Current Monitoring Unit (RCMU) integrated inside
- Fuse free design

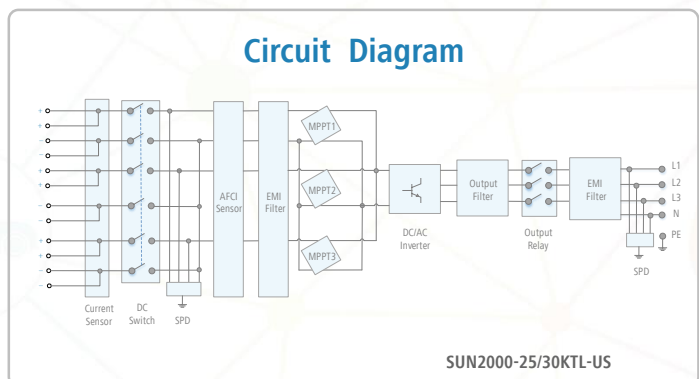
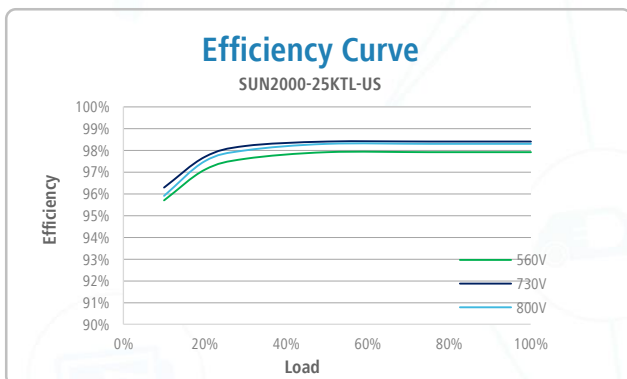
## Reliable

- Natural cooling technology
- Protection degree of Type 4X
- Type II surge arresters for both DC and AC

# Smart String Inverter (SUN2000-25/30KTL-US)



Technical Specifications	SUN2000-25KTL-US	SUN2000-30KTL-US
<b>Efficiency</b>		
Max. Efficiency	98.6%	98.6%
CEC. Efficiency	98.0%	98.0%
<b>Input</b>		
Max. Input Voltage	1,000 V	1,000 V
Max. Current per MPPT	25 A	25 A
Max. Short Circuit Current per MPPT	33 A	33 A
Start Voltage	250 V	250 V
MPPT Operating Voltage Range	250 V ~ 950 V	250 V ~ 950 V
Number of Inputs	6	6
Number of MPP Trackers	3	3
<b>Output</b>		
Rated AC Active Power	25,000 W	30,000 W
Max. AC Apparent Power	27,500 VA	33,000 VA
Max. AC Active Power (cosφ=1)	25,000 W	30,000 W
Rated Output Voltage	480 V, 3W + PE / 3W + N + PE	480 V, 3W + PE / 3W + N + PE
Rated AC Grid Frequency	60 Hz	60 Hz
Rated Output Current	30.1 A	36.1 A
Max. Output Current	33 A	40 A
Adjustable Power Factor Range	0.8 LG ... 0.8 LD	0.8 LG ... 0.8 LD
Max. Total Harmonic Distortion	< 3%	< 3%
<b>Protection</b>		
DC Arc Fault Circuit Interrupter	Yes, compliant to UL 1699B Type I	
Input-side Disconnection Device	Yes	
Anti-islanding Protection	Yes	
DC Reverse-polarity Protection	Yes	
AC Overcurrent Protection	Yes	
PV-array String Fault Monitoring	Yes	
DC Surge Arrester	Type II	
AC Surge Arrester	Type II	
DC Insulation Resistance Detection	Yes	
Residual Current Monitoring Unit	Yes	
<b>Communication</b>		
Display	LED Indicators, Bluetooth + APP	
USB	Yes	
RS485	Yes	
Power Line Communication (PLC)	Yes	
<b>General</b>		
Dimensions (W x H x D)	550 x 770 x 281 mm (21.7 x 30.3 x 11.1 inch)	
Weight (with mounting plate)	57 kg (126 lb.)	
Operating Temperature Range	-25°C ~ 60°C (-13°F ~ 140°F)	
Cooling Method	Natural Convection	
Relative Humidity	0 ~ 100%	
DC Connector	Amphenol Helios H4	
AC Connector	Waterproof PG Terminal + OT Connector	
Protection Degree	Type 4X	
Topology	Transformerless	
<b>Standard Compliance (more available upon request)</b>		
Certificate	UL 1741, UL 1699B, CSA C22.2 #107.1-01, FCC Part 15	
Grid Code	IEEE 1547, IEEE 1547a	



The text and figures reflect the current technical state at the time of printing. Subject to technical changes. Errors and omissions excepted. Huawei assumes no liability for mistakes or printing errors. For more information, please visit solar.huawei.com. Version No.:01-(201807)